



INSTALLATION INSTRUCTIONS

SEGWAY
SNARLER L



SAFETY INSTRUCTIONS

Warning: Failure to heed all safety and operating instructions and warnings regarding use of this product can result in serious bodily injury.

ONLY TRAINED AND ADVACEND PERSONS CAN INSTALL THIS CABINE

EVERY PERSON, WHO USING VEHICLE WITH CABINE, IS OBLIGED TO USE PROTECTIVE HELMET AND PROTECTIVE GLASS

IS STRONGLY RECOMMENDED TO USE BODY PROTECTION (LIKE MOTORBIKE SUITS)

READ PROPERLY COMPLETE ASSEMBLY INSTRUCTIONS BEFORE STARTING OF ASSEMBLY

Install all parts indicated in assembly instructions. Failure to fully assemble product before use could result in personal injury.

Assembly of product requires use of hand or power tools. If you are not experienced in using these types of tools, have product dealer do the install for you.

Some parts contain sharp edges, wear protective gloves if necessary. Always keep your assembly area clean, uncluttered and well lit.

Keep visitors and children a safe distance away from the assembly area. Visitors should wear the same safety equipment described under.

Dress for safety. DO NOT wear loose clothing, gloves, neckties or jewelry if using power tools to assemble this product. Insert all nut covers after you finish installation.

MAINTANCE AND CLEANING

To clean polycarbonate surface use soapy water solution or other subtle means.

Dirt and dust wash by gently water stream and swipe only with wet or damp means in the direction from top to bottom.

The recommended frequency of cleaning of polycarbonate part is about 1 time per month or according to the actual degree of pollution.

*Do not use detergents that could scratch the surface plates.
(abrasives, harsh fabrics, etc.)*

Do not use solvents or alkaline detergents or cleaners with ammonia (ammonium hydroxide).

Do not remove the impurities from the surface of the razor blades or other sharp items.

Do not clean cabin, when the polycarbonate plates are heated by the sun.

Do not use the squeegee, it could be scratched surface plates.

Do not clean the water current strength greater than 50 bar (WAP)

The manufacturer is not responsible for scratching the surface in case of failure to comply with the above instructions.

All bolted connections of cab must be by user at regular intervals checked and tightened.

It is necessary to check the air filter of the heater regularly, depending on the dust environment in which the vehicle is operated.

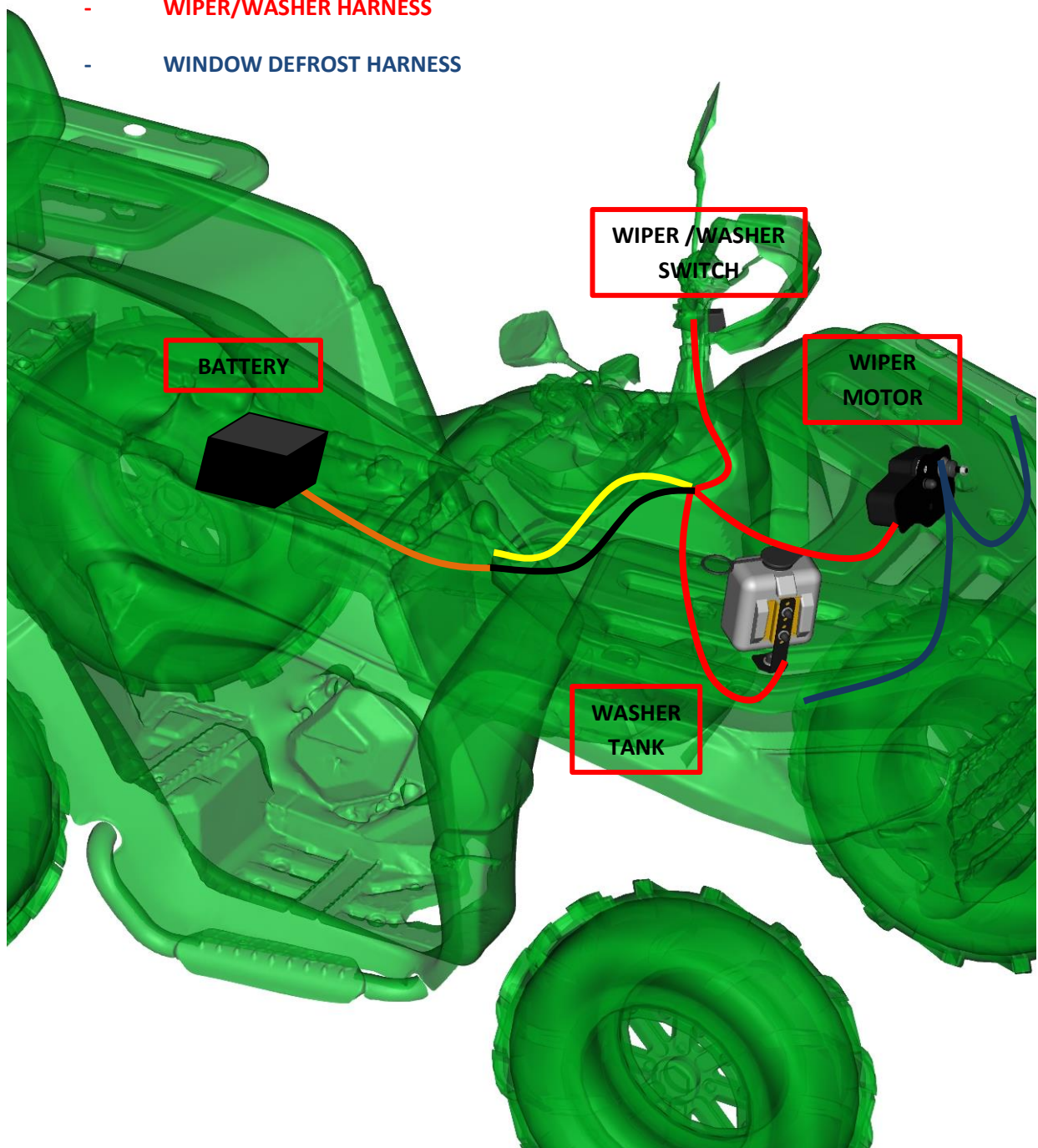
CAB PREVIEW

4

ELECTROINSTALLATION 1

SCHEMATIC OVERALL DIAGRAM

- POWER SUPPLY HARNESS
- POWER SUPPLY HARNESS EXTENSION
- RELAY HARNESS (ACC)
- WIPER/WASHER HARNESS
- WINDOW DEFROST HARNESS



5

Unmount seats.



Unmount four plastic rivets.



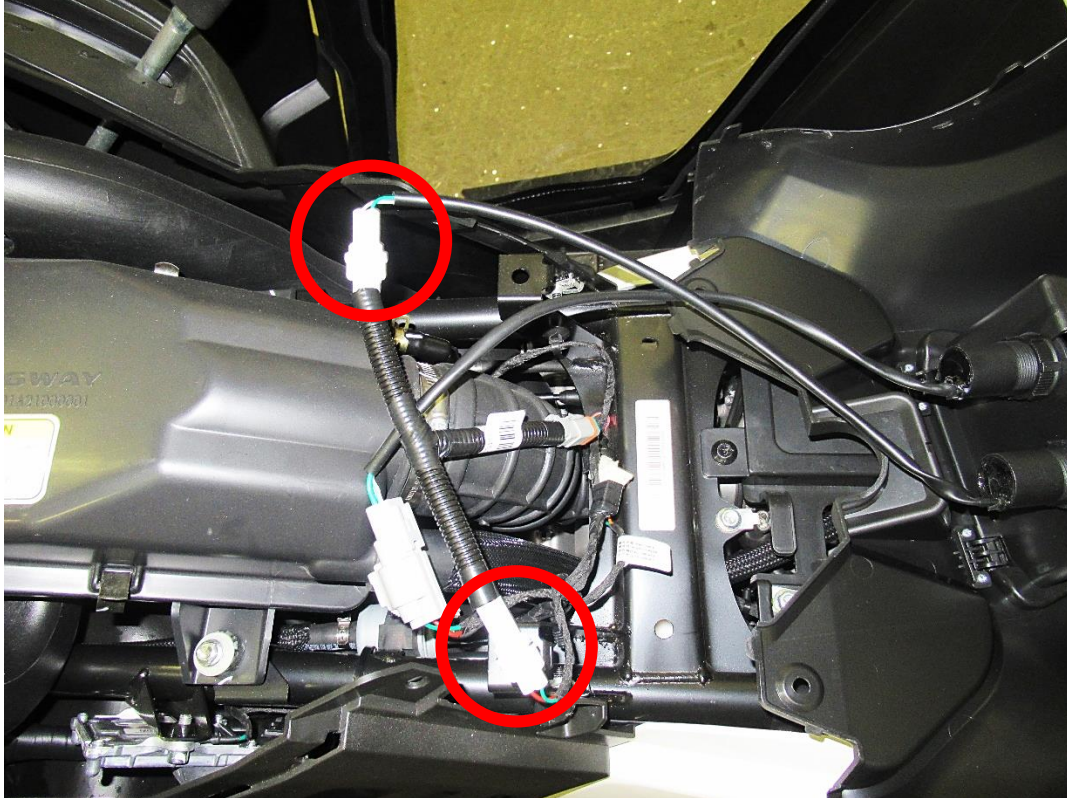
Unmount filter cover with 12V socket and USB socket.



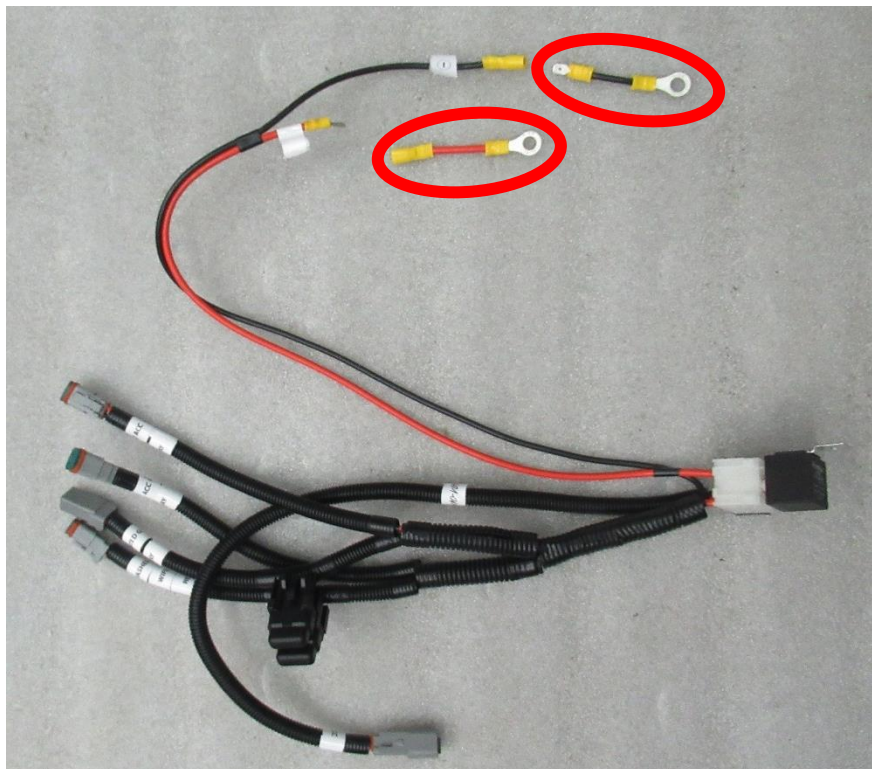
Find the USB socket connector under the removed filter cover.



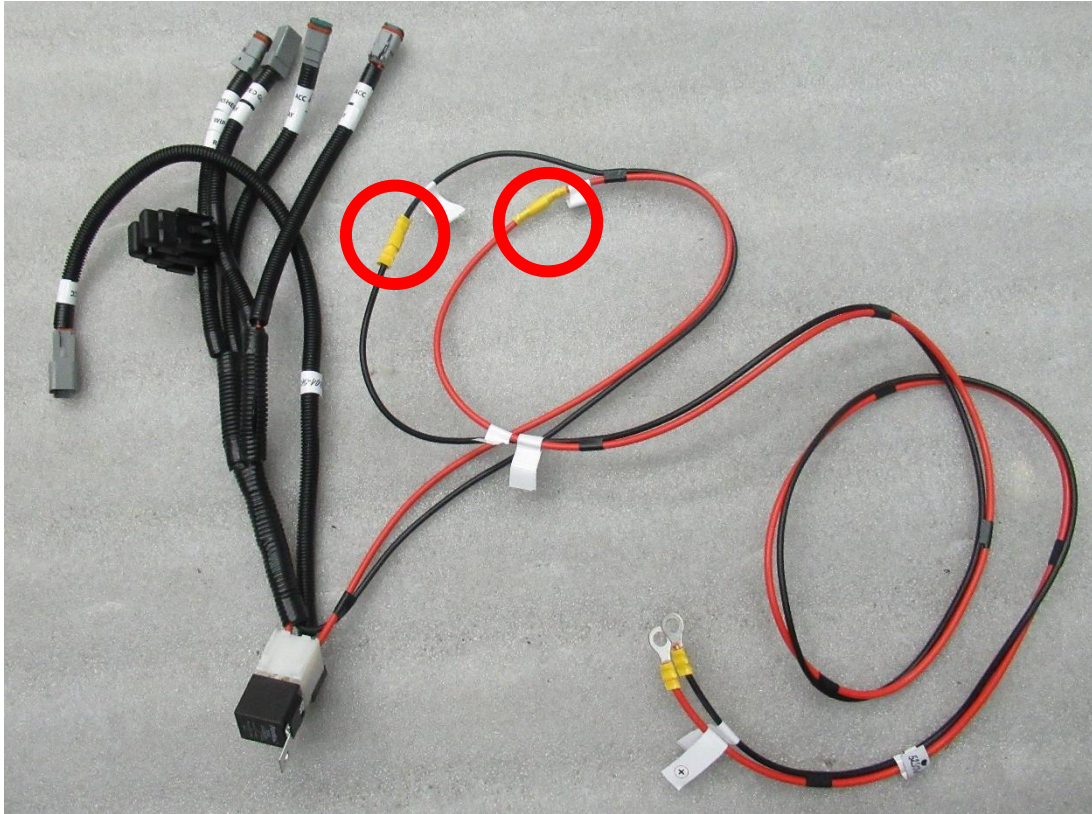
Unplug USB socket connector and connect with the (ACC) harness.



Disconnect power supply harness parts with rings terminals from the harness.



Plug the extension harness to the power supply harness.



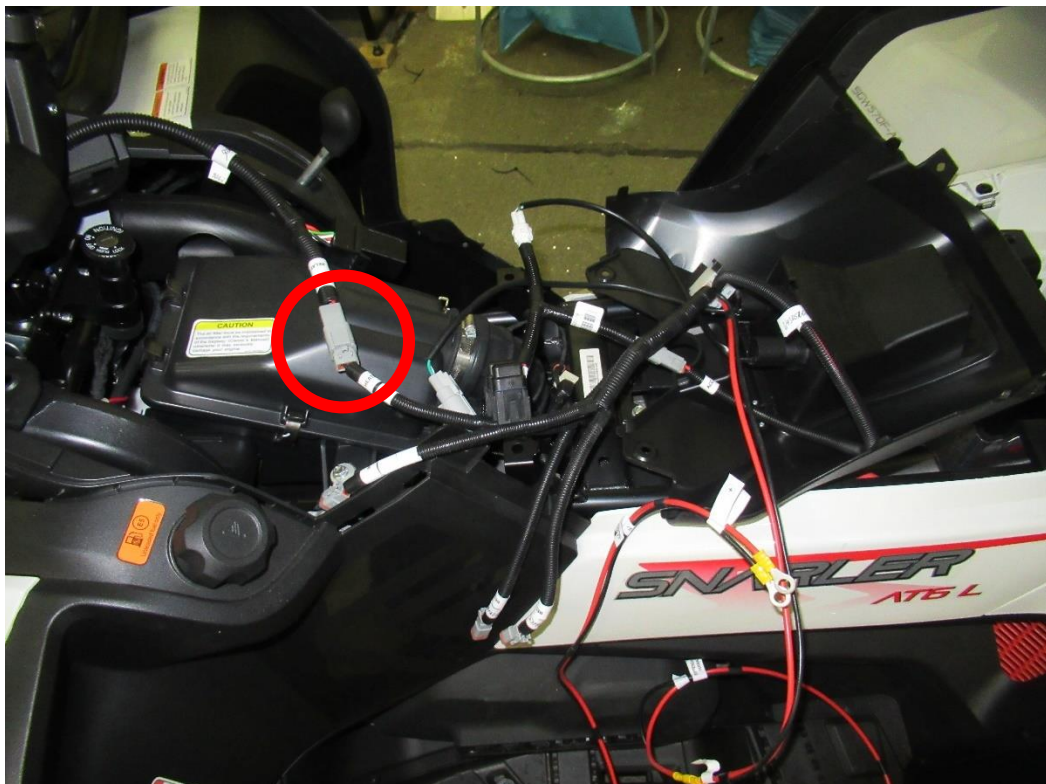
Connect the power supply harness to the ACC harness.



Detail view of the connection



Connect the window defrost electrical harness to the power supply harness



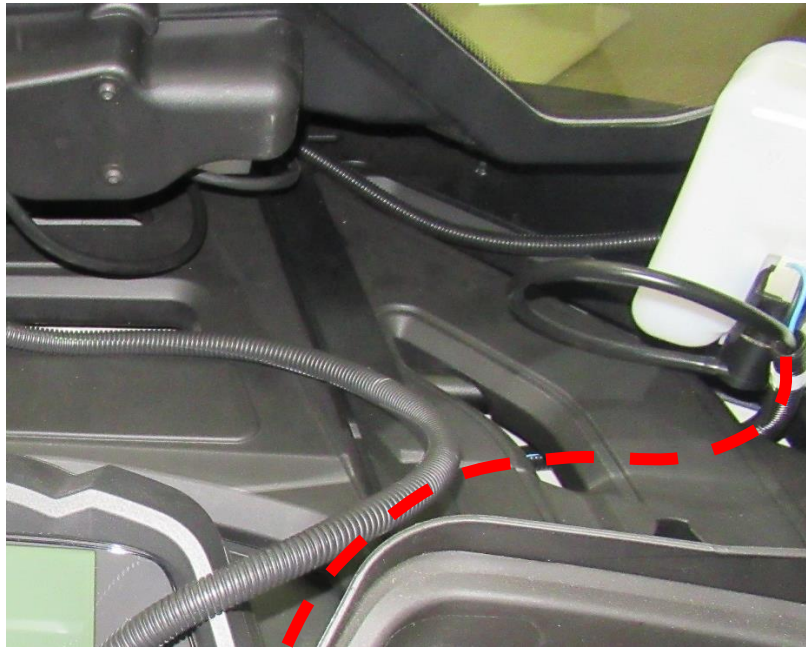
Run the defrost electrical harness to the both sides of the front grill.



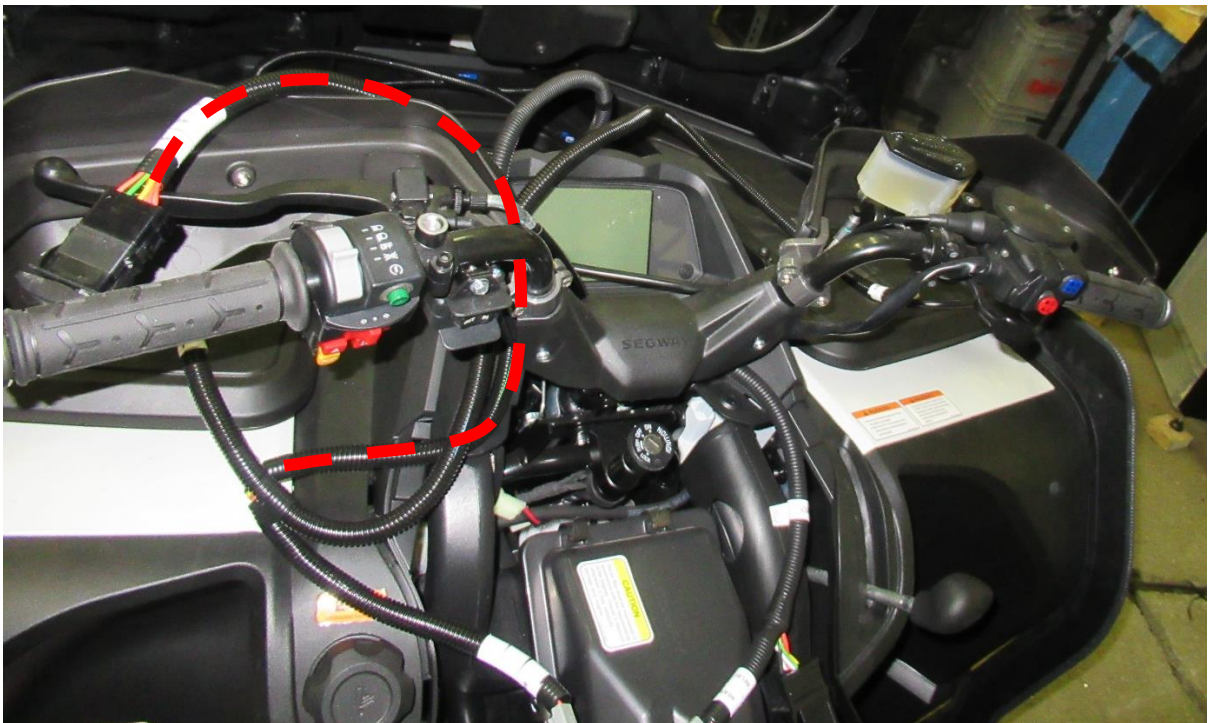
Connect power supply connector on wiper/washer electrical harness with the appropriate connector on the power supply harness.



Run the washer motor connector branch under the plastic front grill cover to the right side.



Run the wiper/washer switch connector branch to the left handle bar.



12

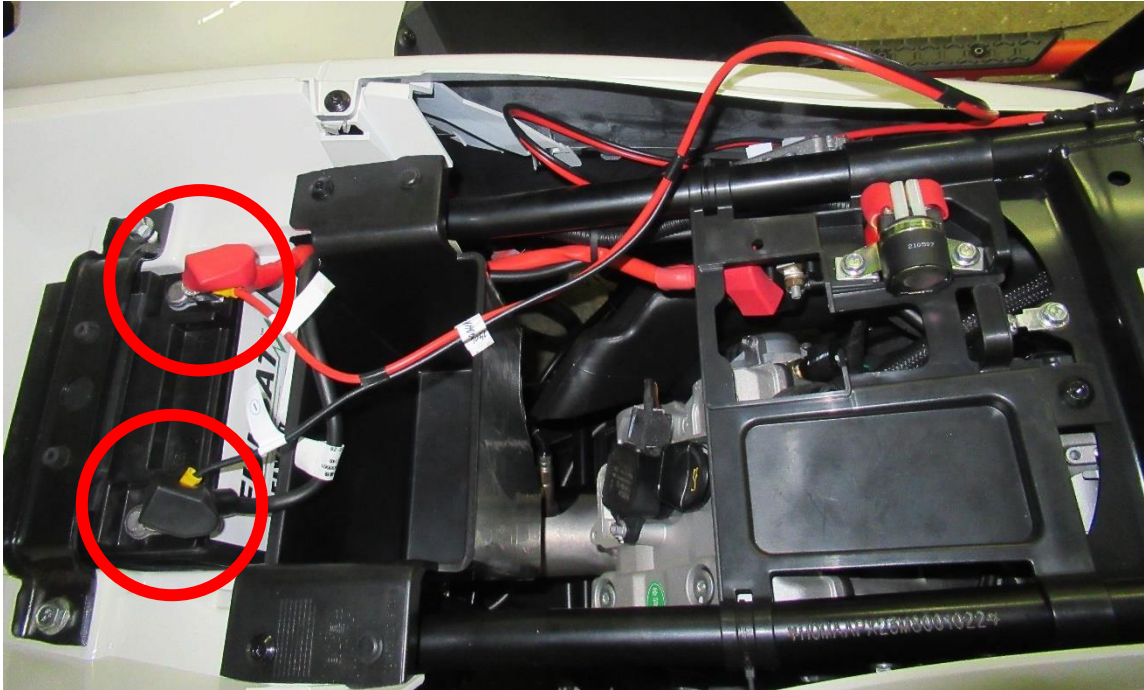
Mount the wiper/washer switch holder on the winch switch. Use the original screws.



Install the wiper/washer switch into the prepared switch holder.

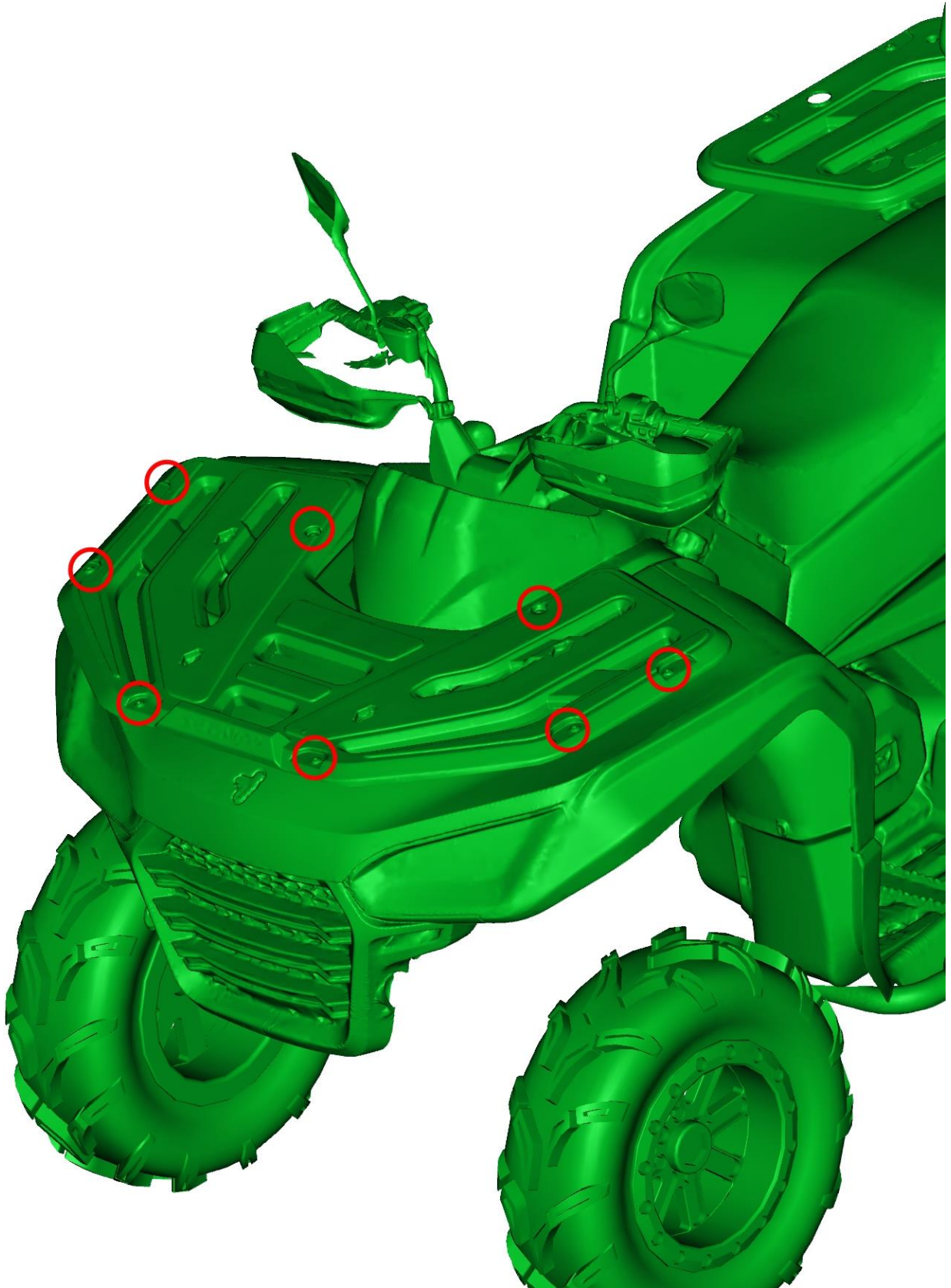


Connect the battery connectors only after all other wirings have been connected. Red wire has to be connected with “plus”; black wire has to be connected with “minus”)



PANELS INSTALLATION

Remove the original screws from the front grill plastic cover.



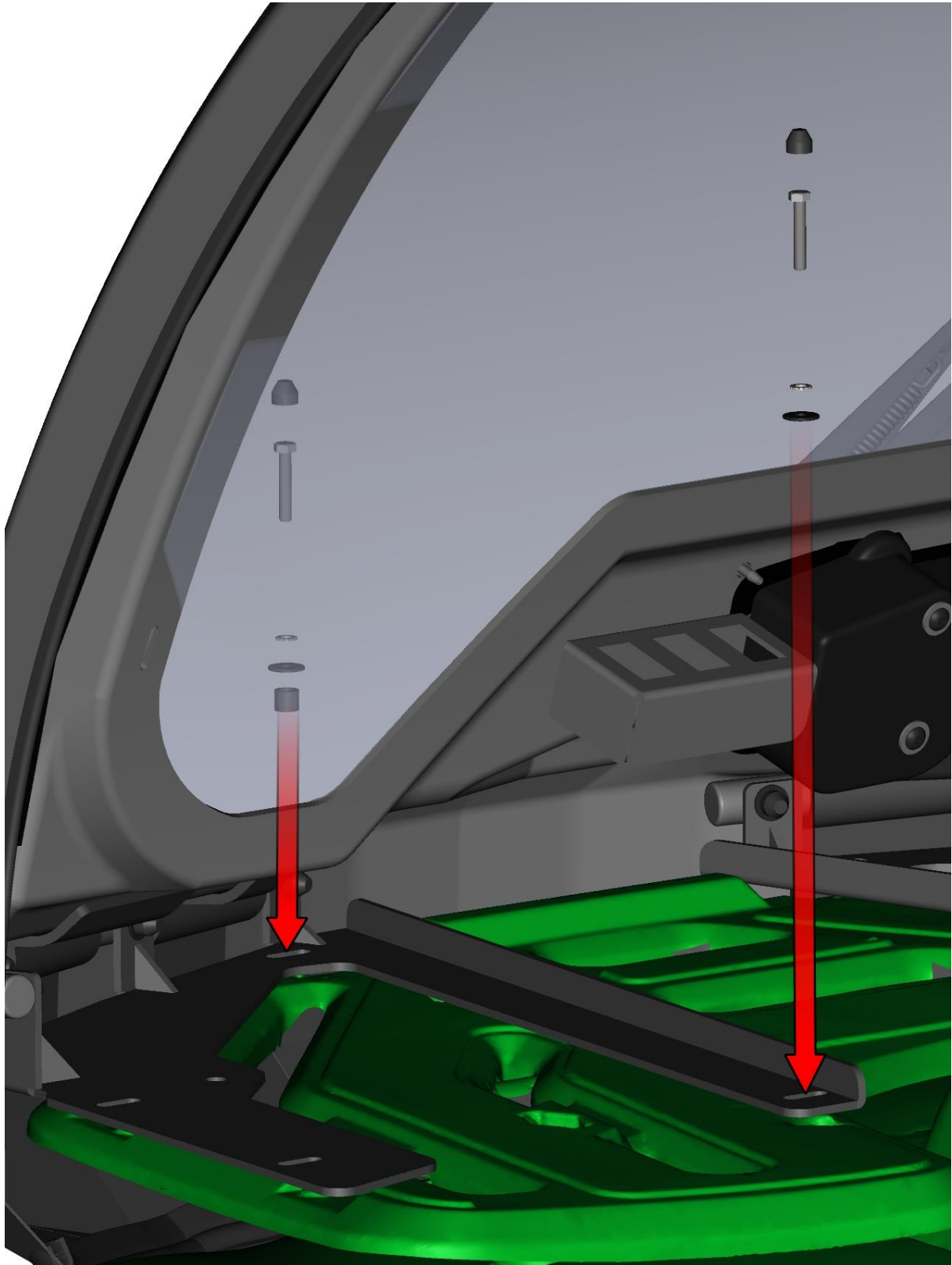
15

Place the front plastic panel with steel holders onto the front rack.



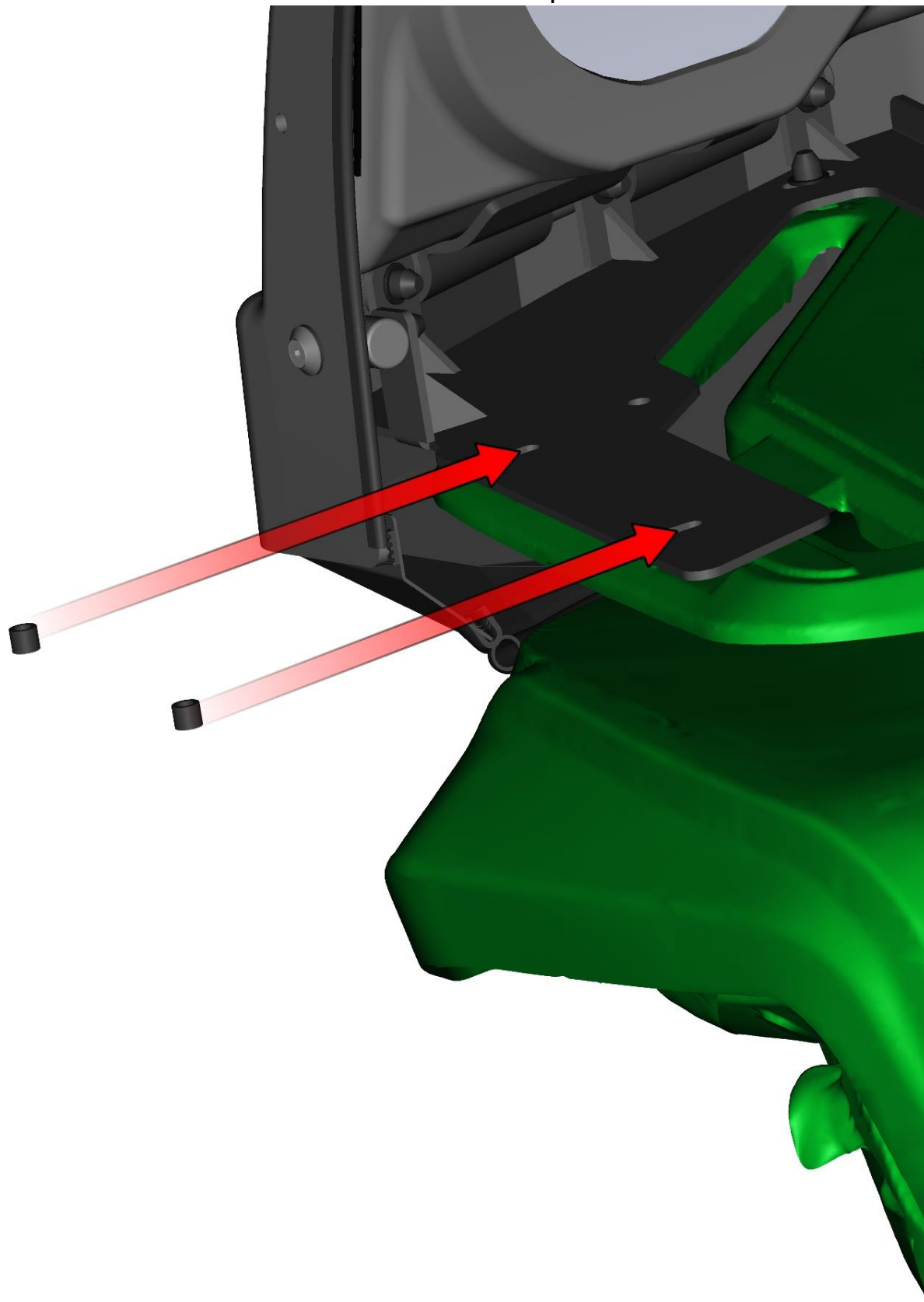
16

Fix the holders to original fixing points of vehicle by included screws, washers and covers on both sides. The tube distance must be under the holders.



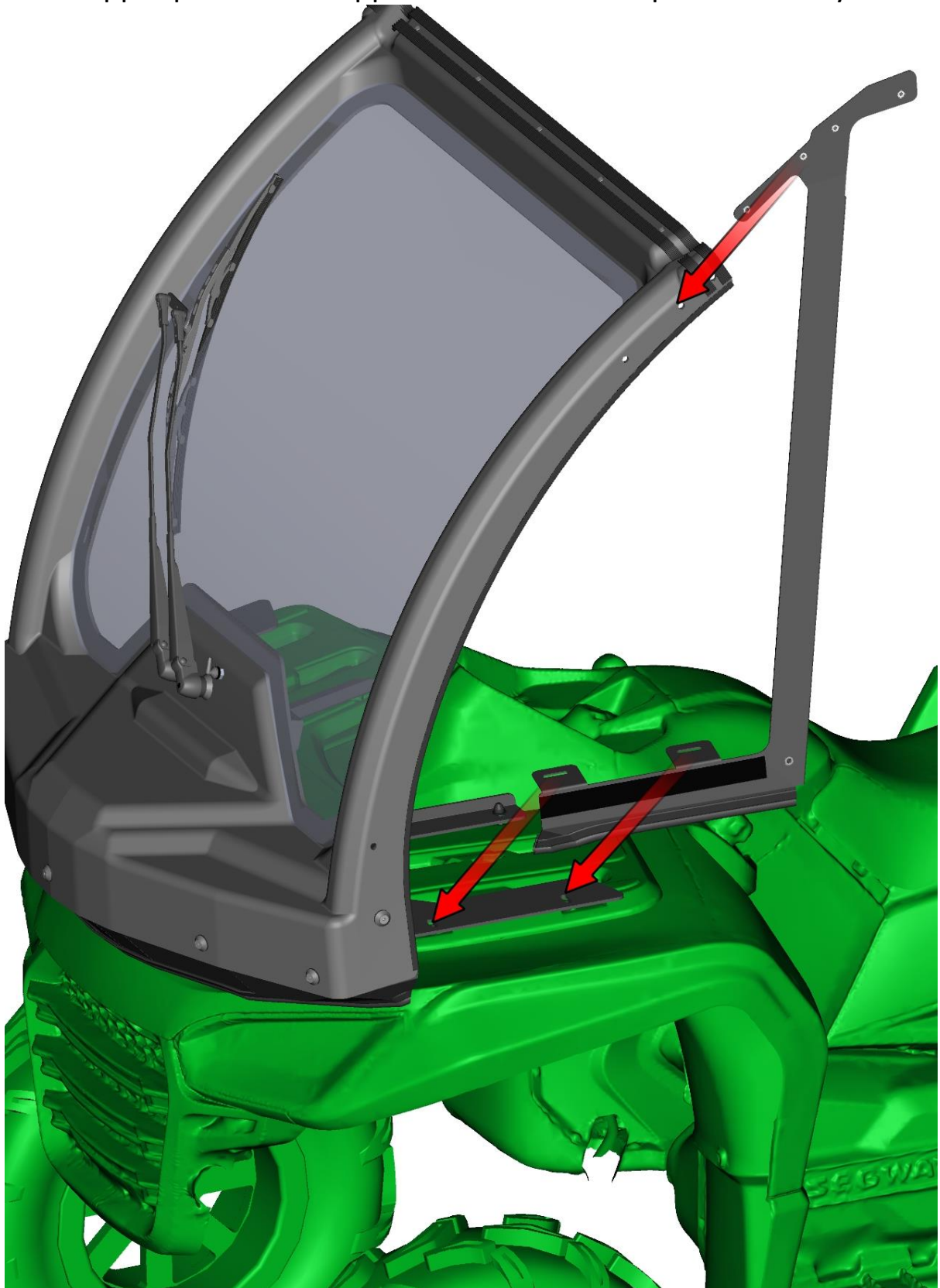
17

Place the distance tubes under the front panel holders on both sides.



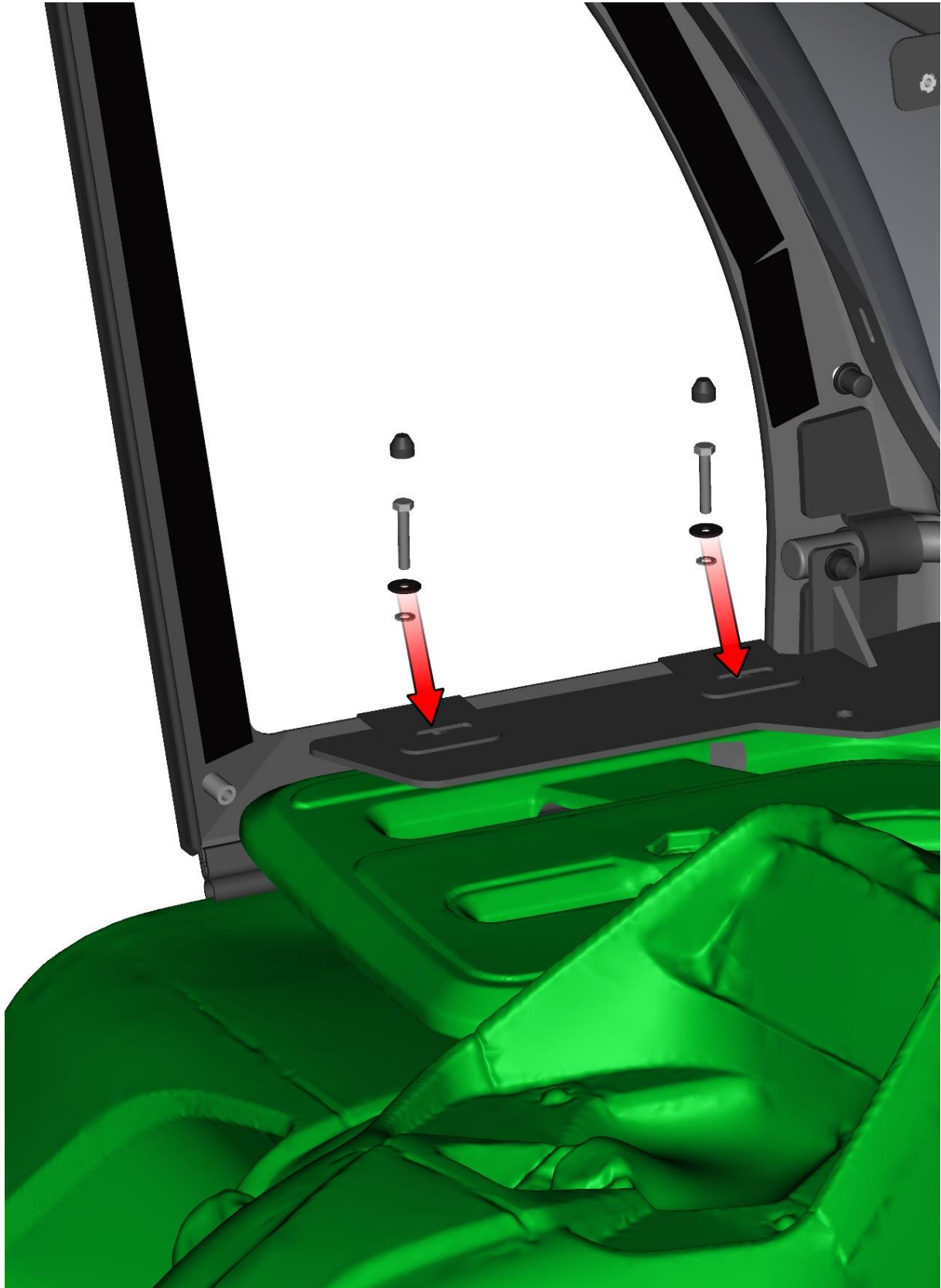
18

Place the left front support onto the front panel holder and insert upper part of the support under the front panel carefully.



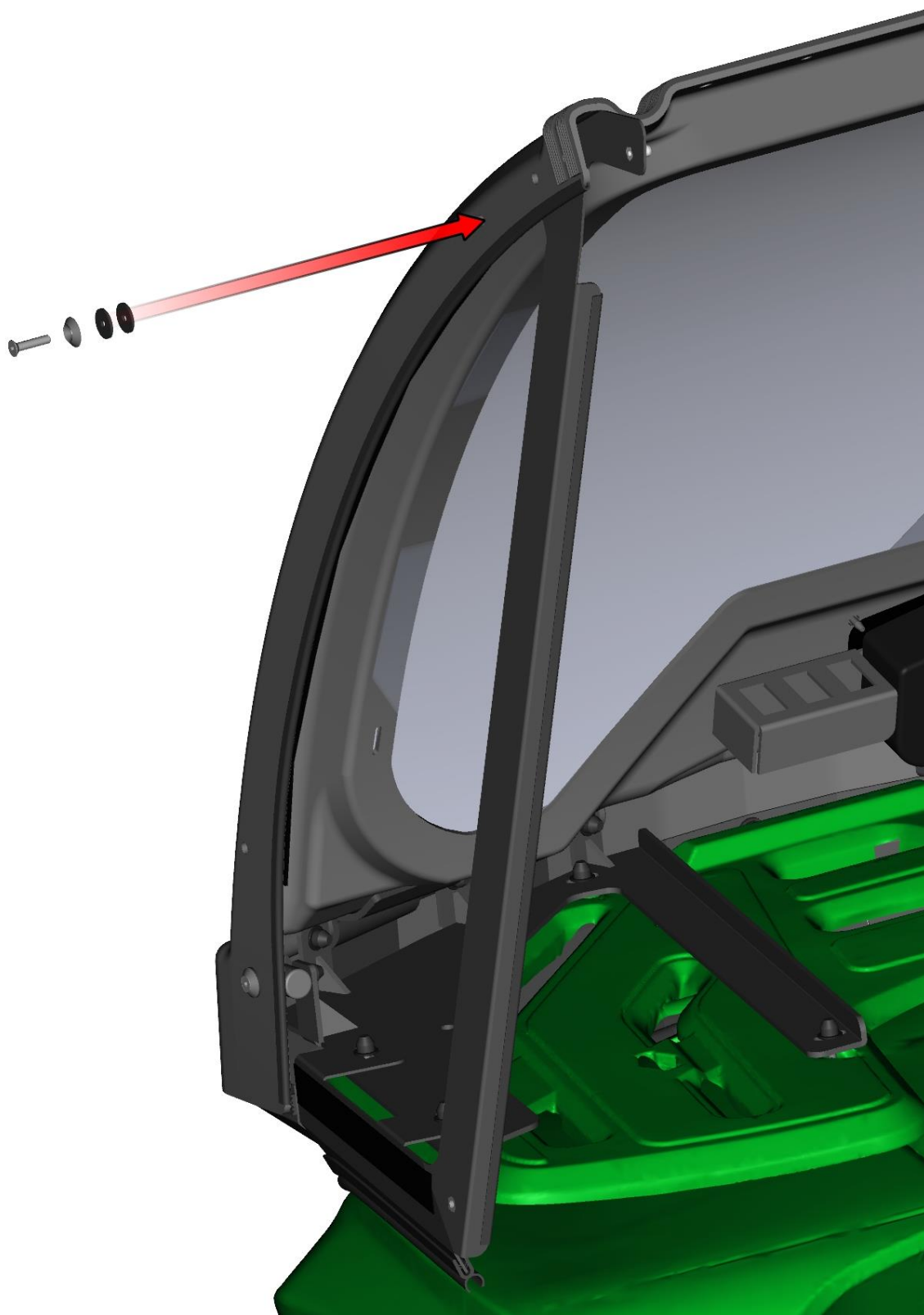
19

Fix the support with the vehicle original fixing point by included screw and washers. Repeat these steps on the right side.



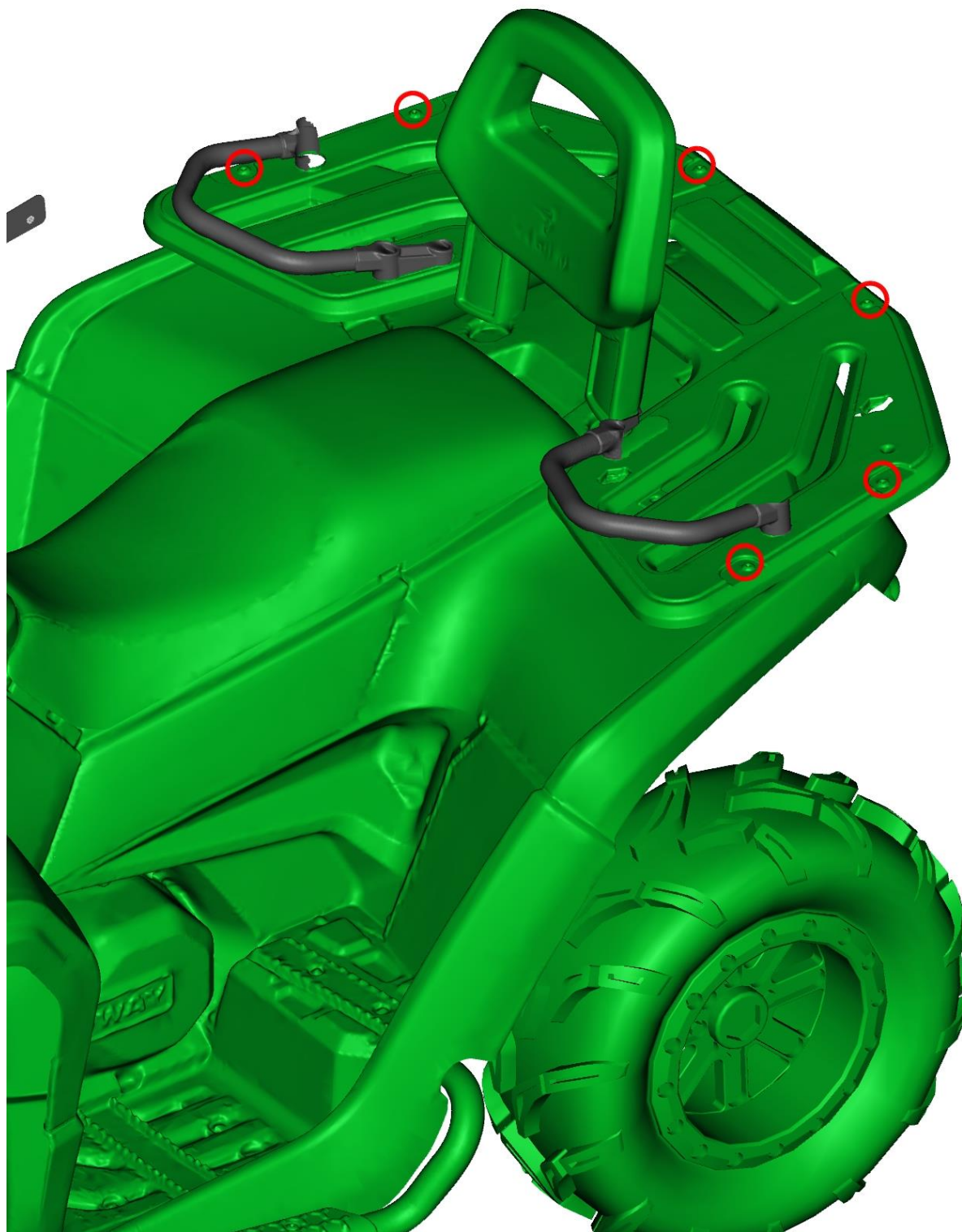
20

Fix the support with the front panel by included screw and washers.
Repeat these steps on the right side.



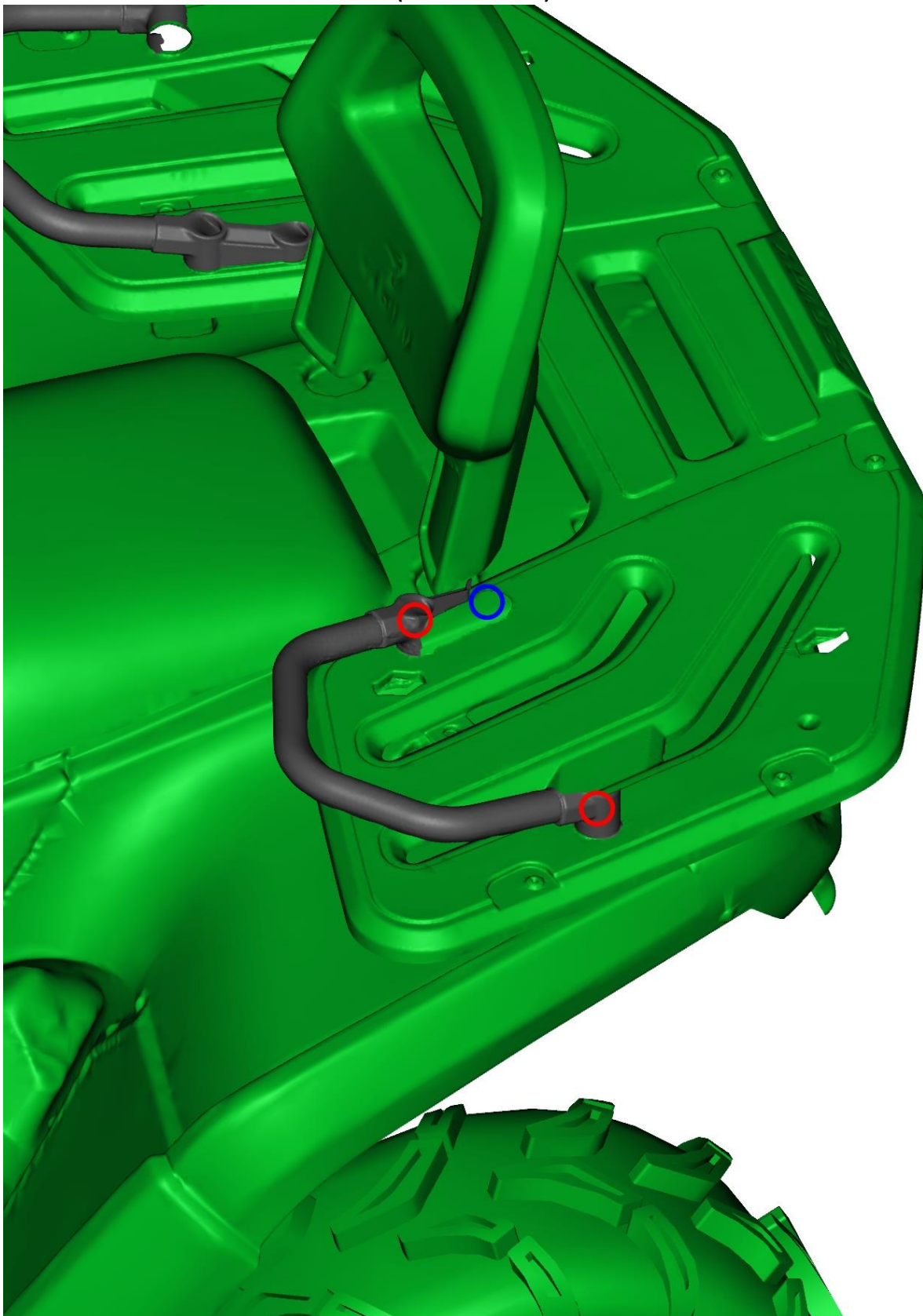
21

Remove the original screws from the rear grill plastic cover.



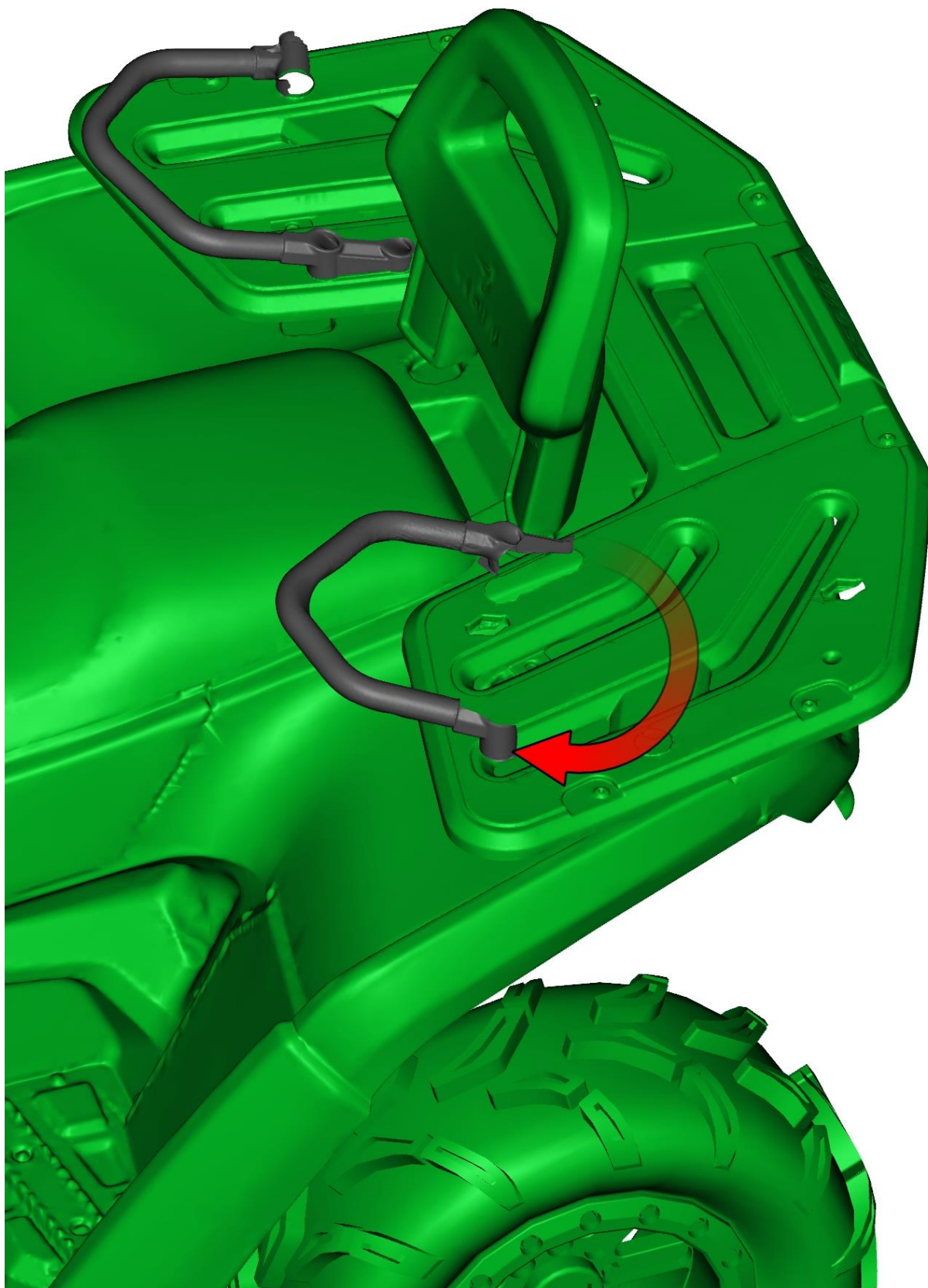
22

Remove two original screws (red circles) and loose the third screw (blue circle).



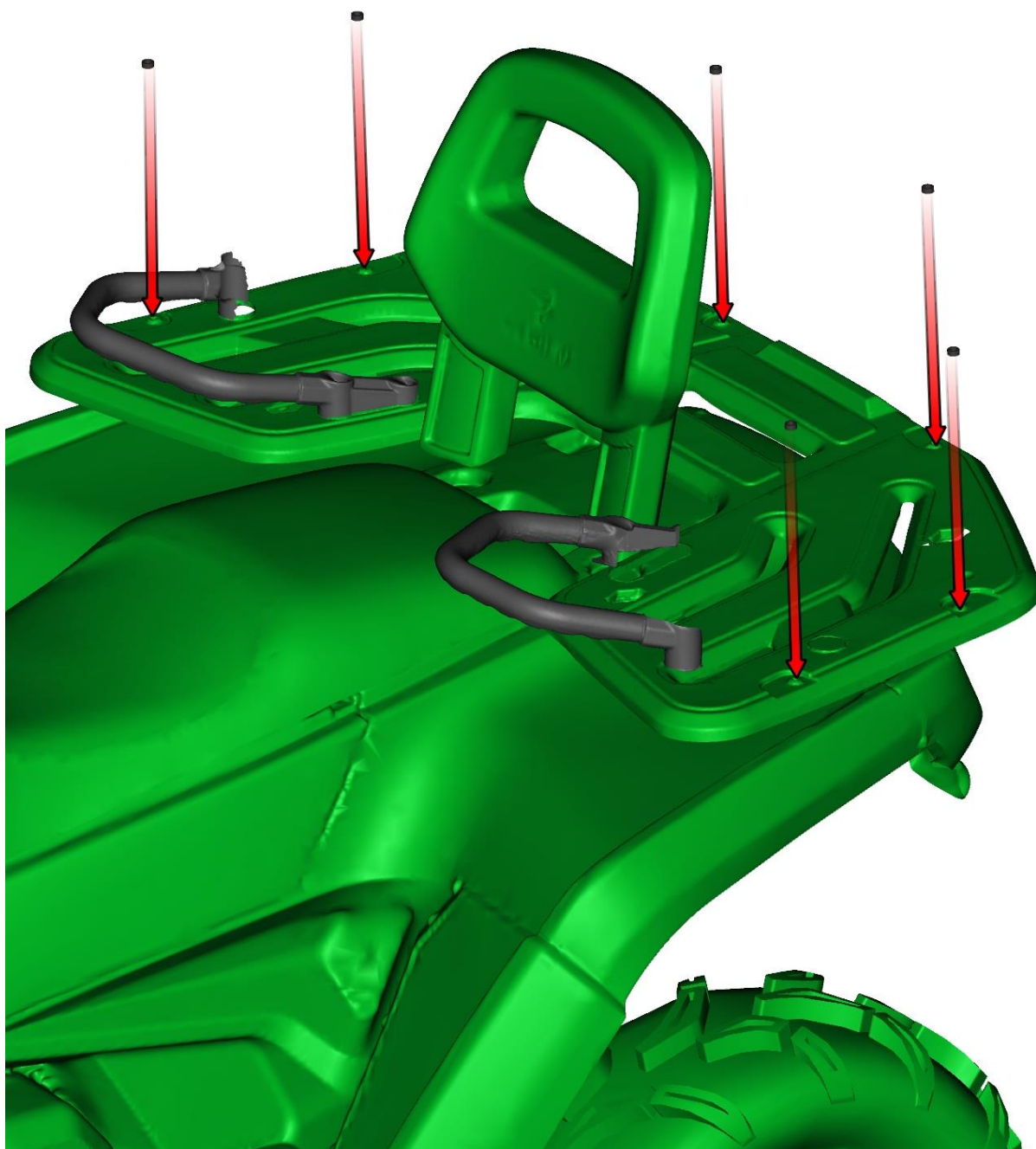
23

Turn the handle to the front.



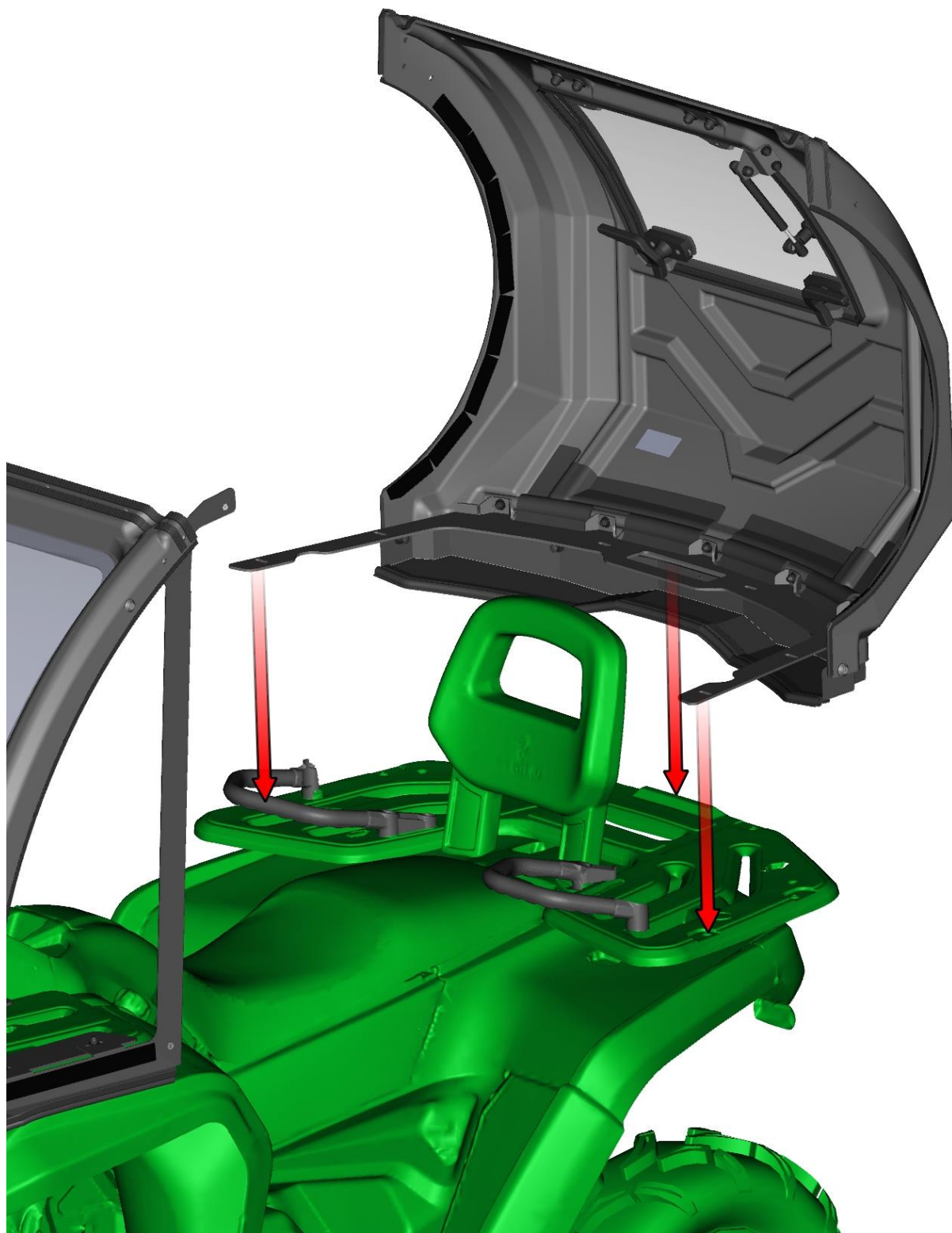
24

Place the distance tubes on the rear plastic cover fixing points.



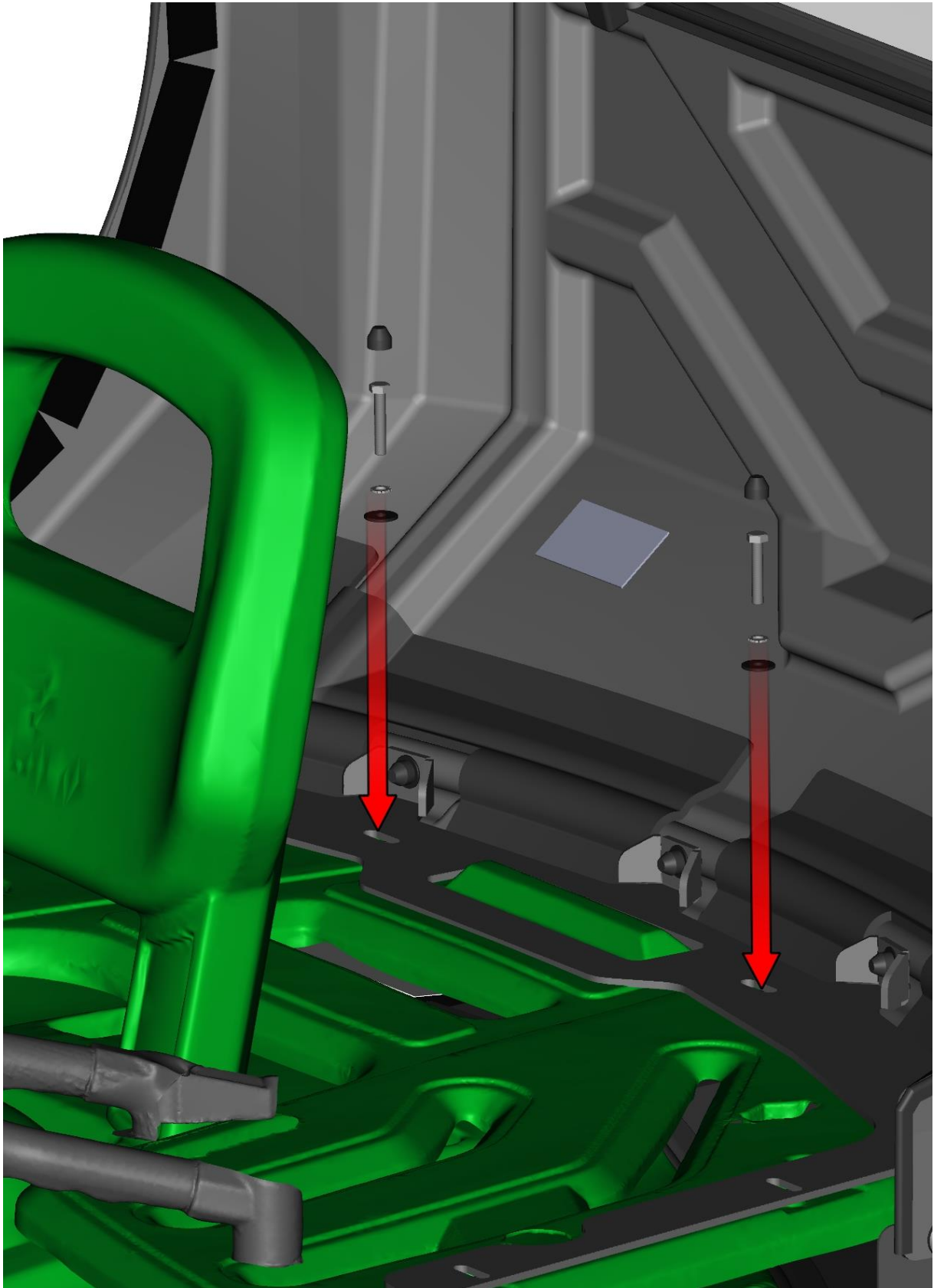
25

Place the rear plastic panel with steel holder onto the rear rack.



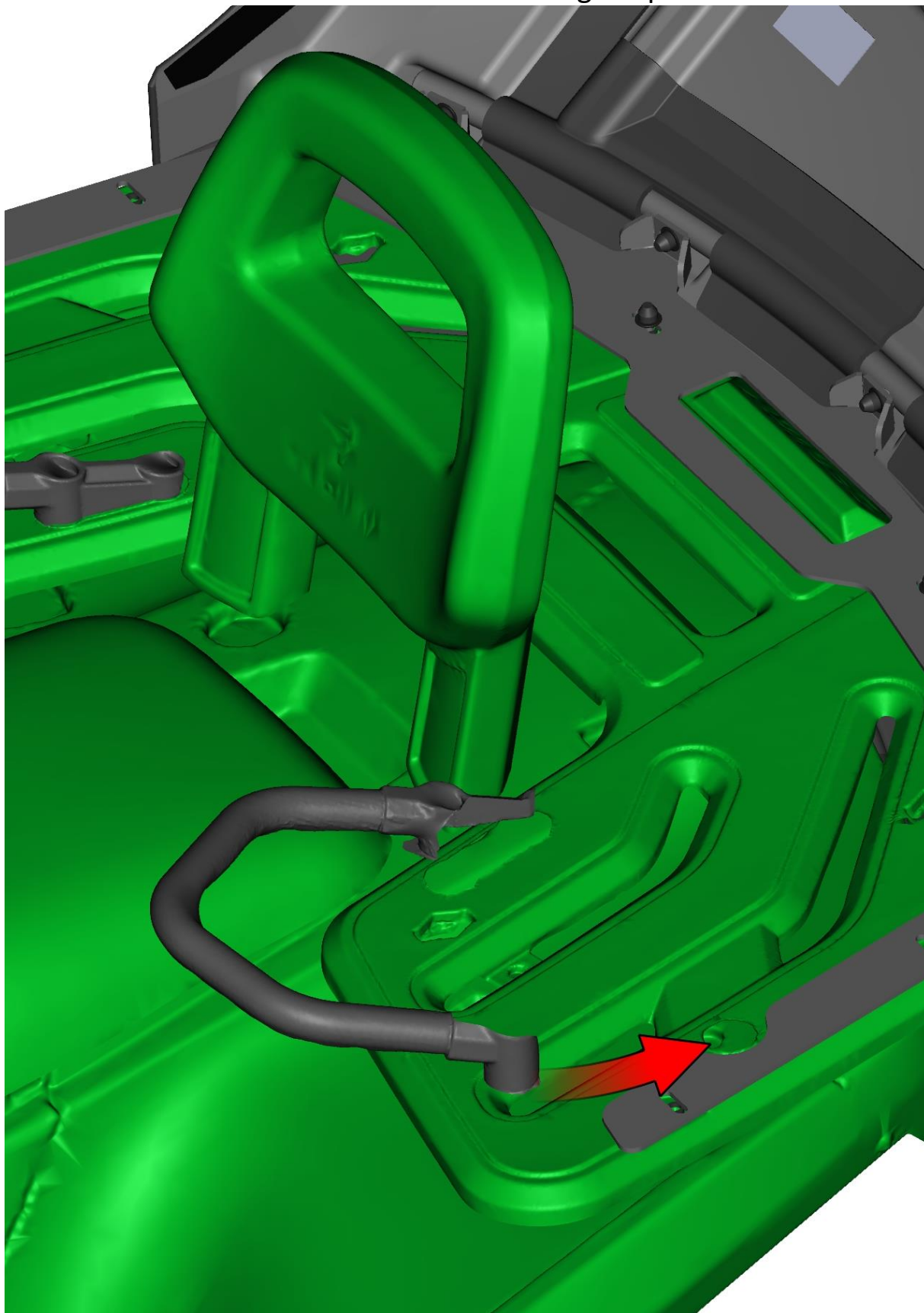
26

Fix the rear panel holder to original fixing points of vehicle by included screws, washers and covers.



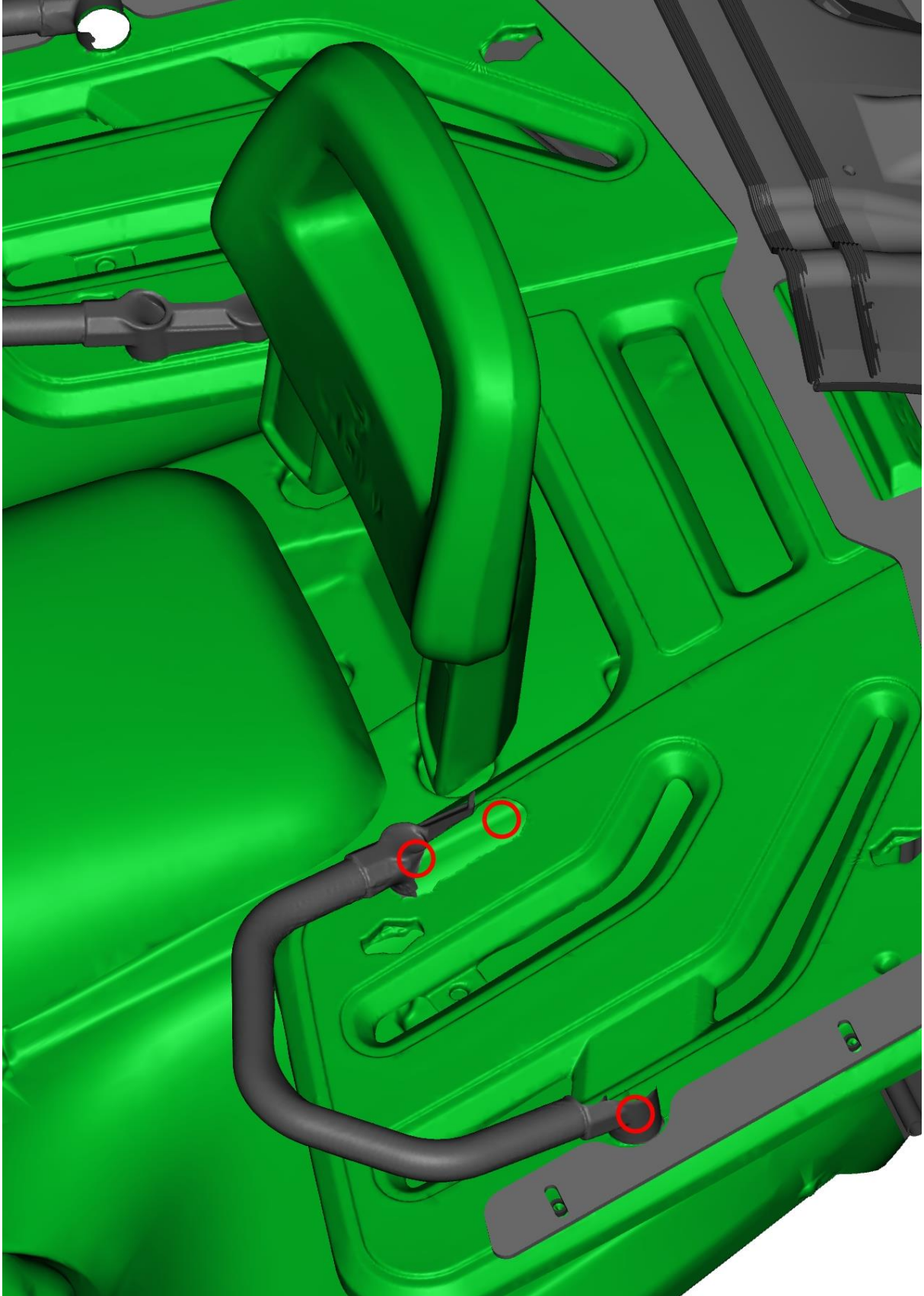
27

Turn the handle back to the original position.



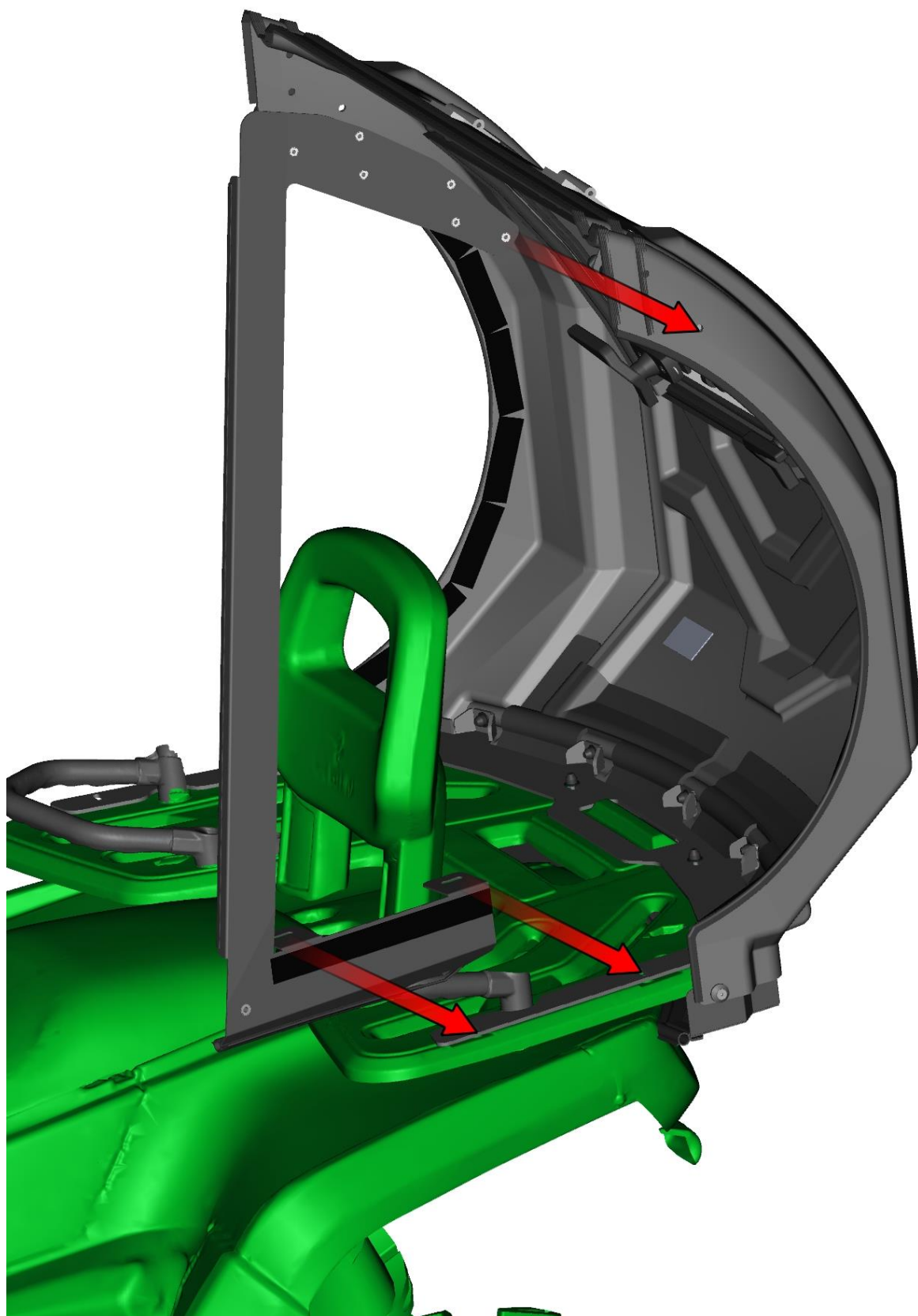
28

Fix the handle with original screws. Tighten all three screws correctly.



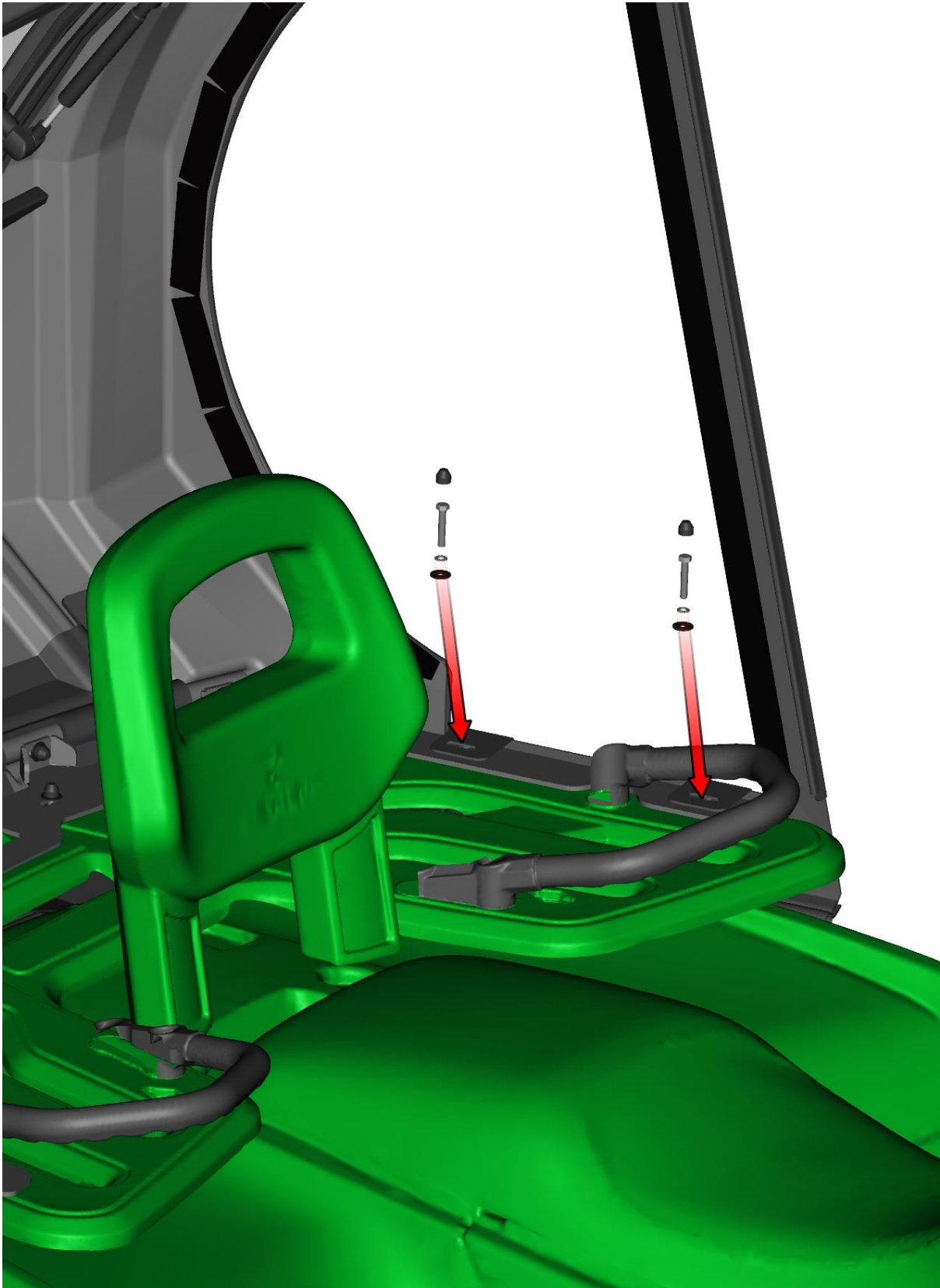
29

Insert the rear support under the rear panel and place on the rear panel holder.



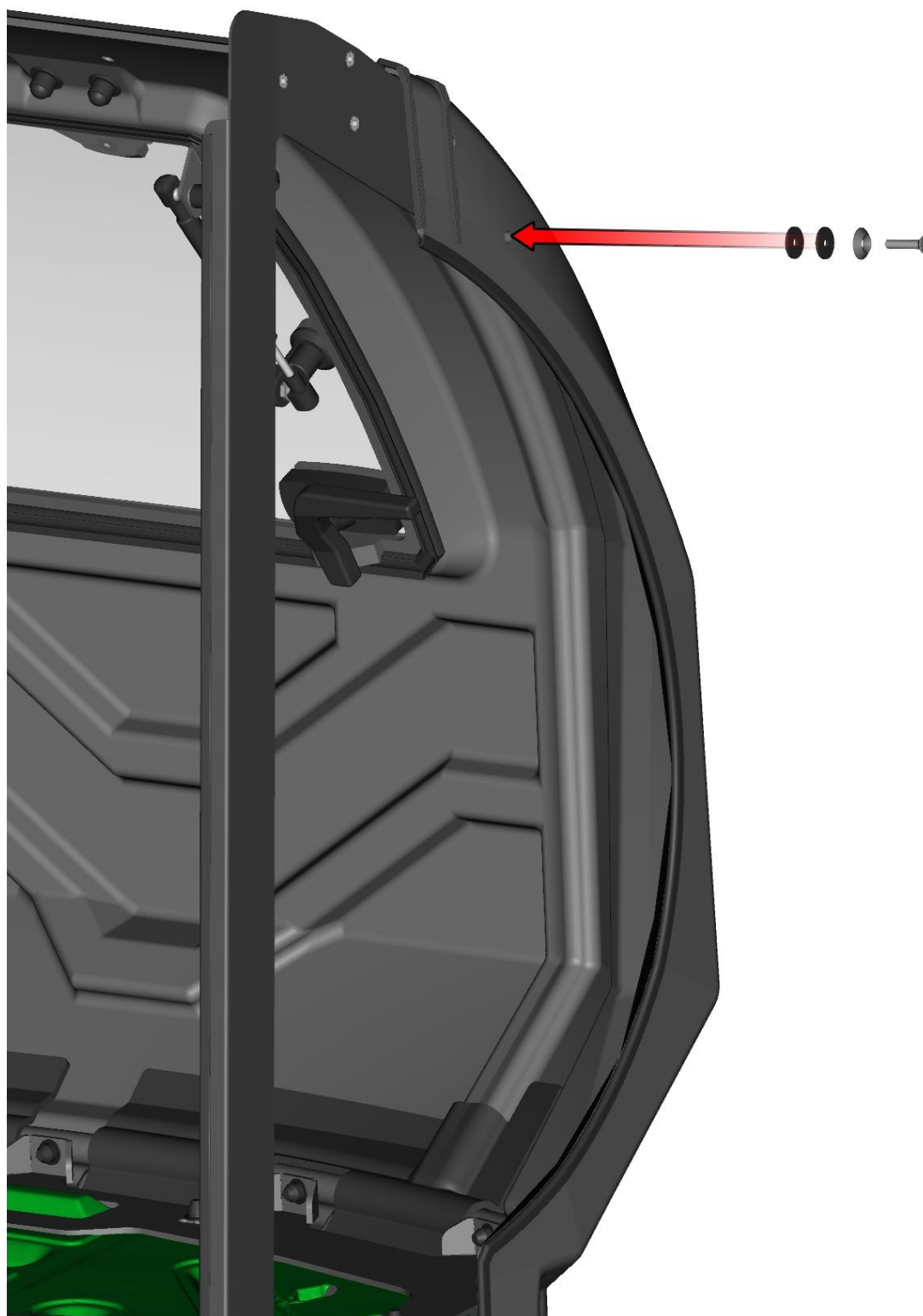
30

Fix the support with the vehicle original fixing point by included screw and washers. Repeat these steps on the right side.



31

Fix the support with included screw and washers.



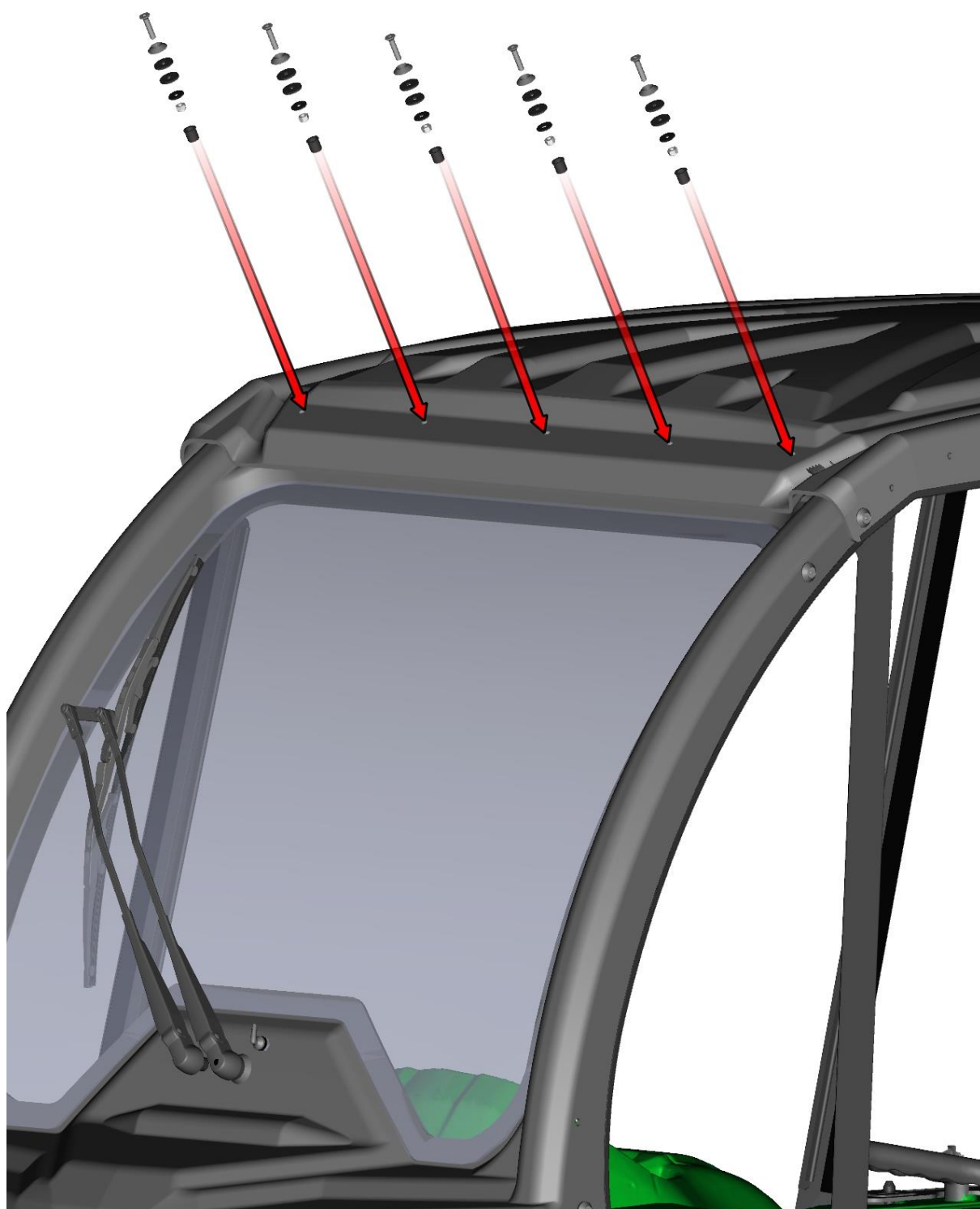
32

Place the roof panel on the front and rear panel.



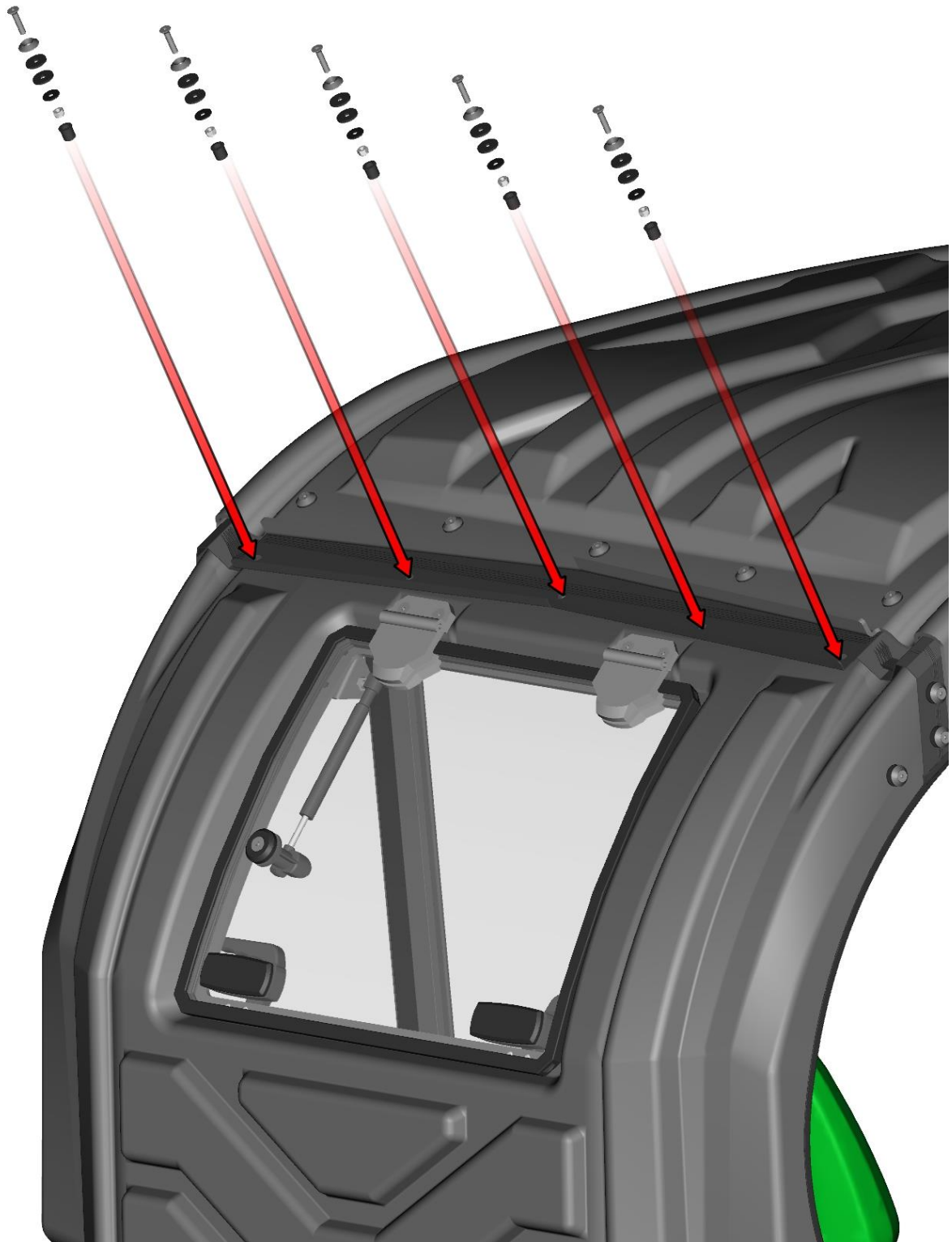
33

Adjust the roof panel to correct position and screw on to the front panel by included screws, washers, nuts and covers. Tighten screws slightly.



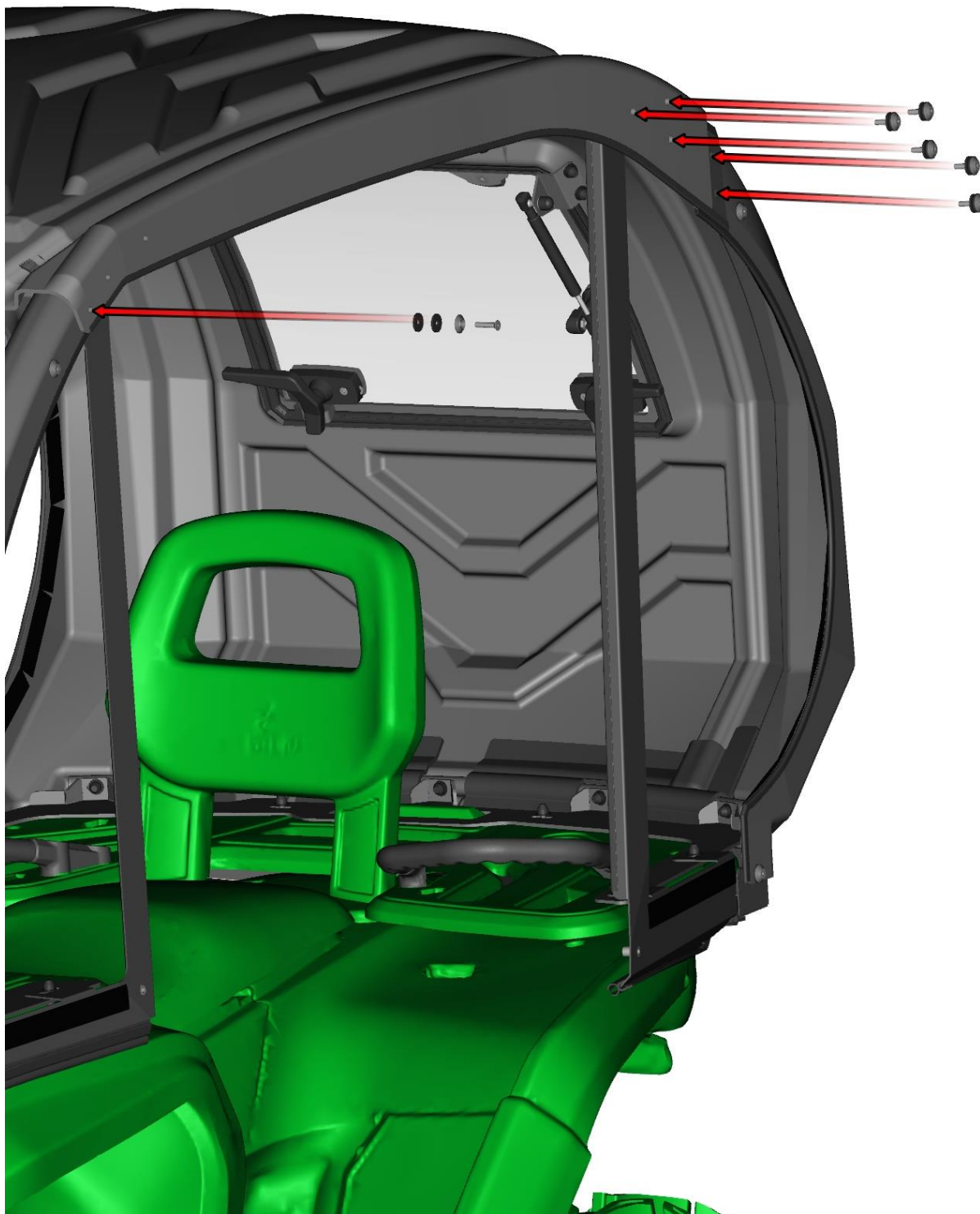
34

Adjust the roof panel to correct position and screw on to the rear panel by included screws, washers, nuts and covers. Tighten screws slightly.



35

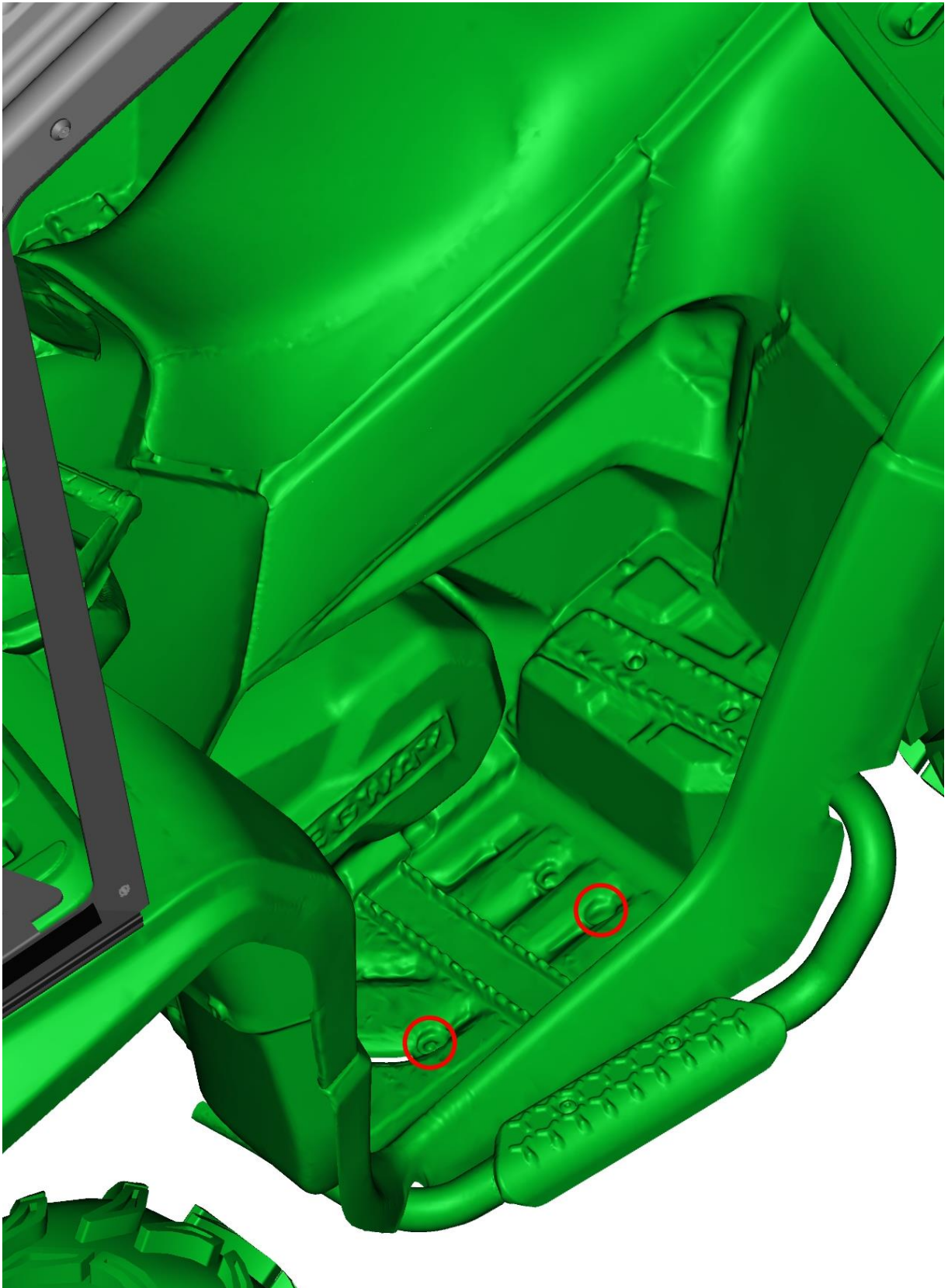
Fix the roof by included screw, washers and cover. Repeat this step on the other side.



36

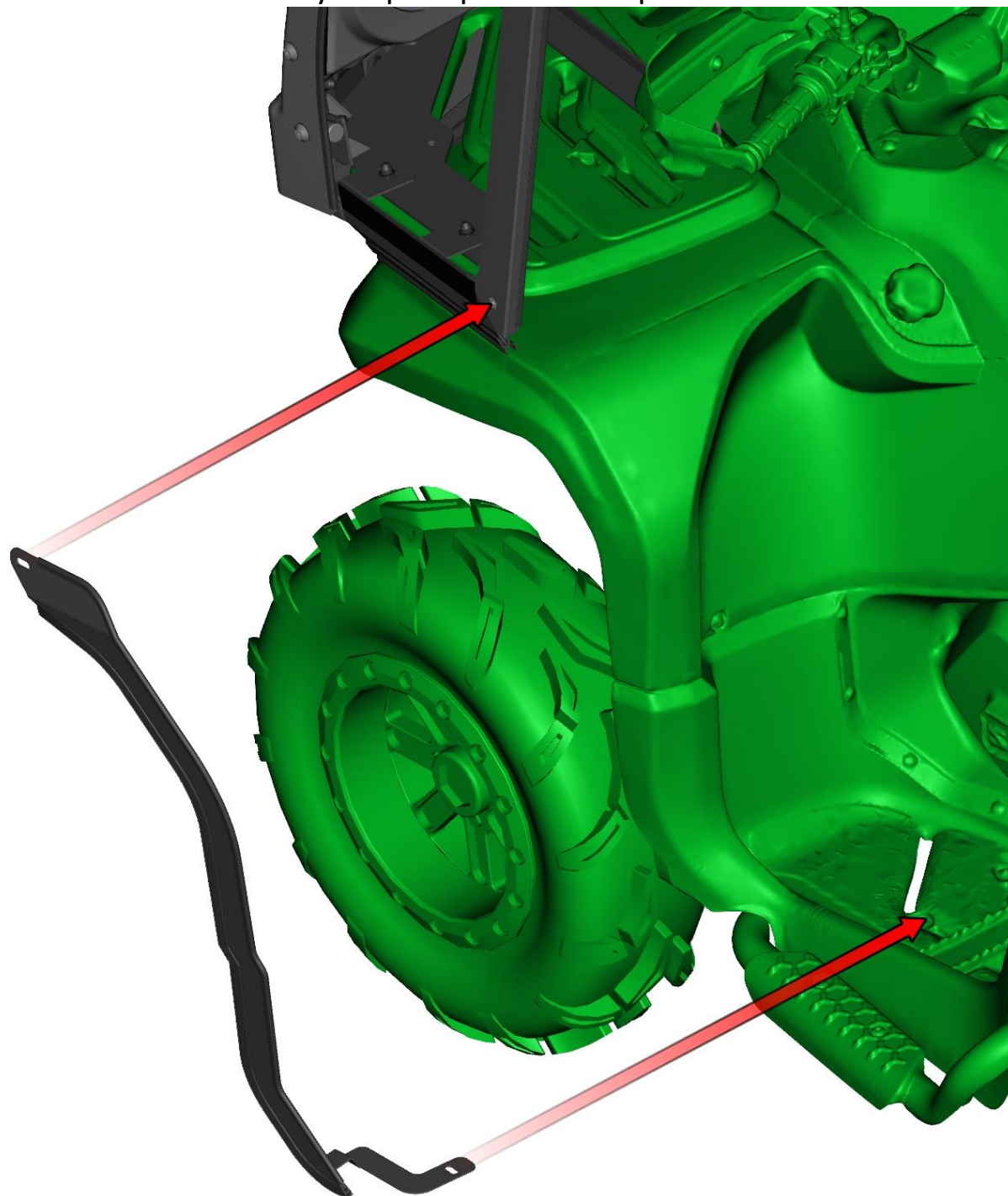
LEFT AND RIGHT DOOR INSTALLATION

Remove the original screws from the foot platform.



37

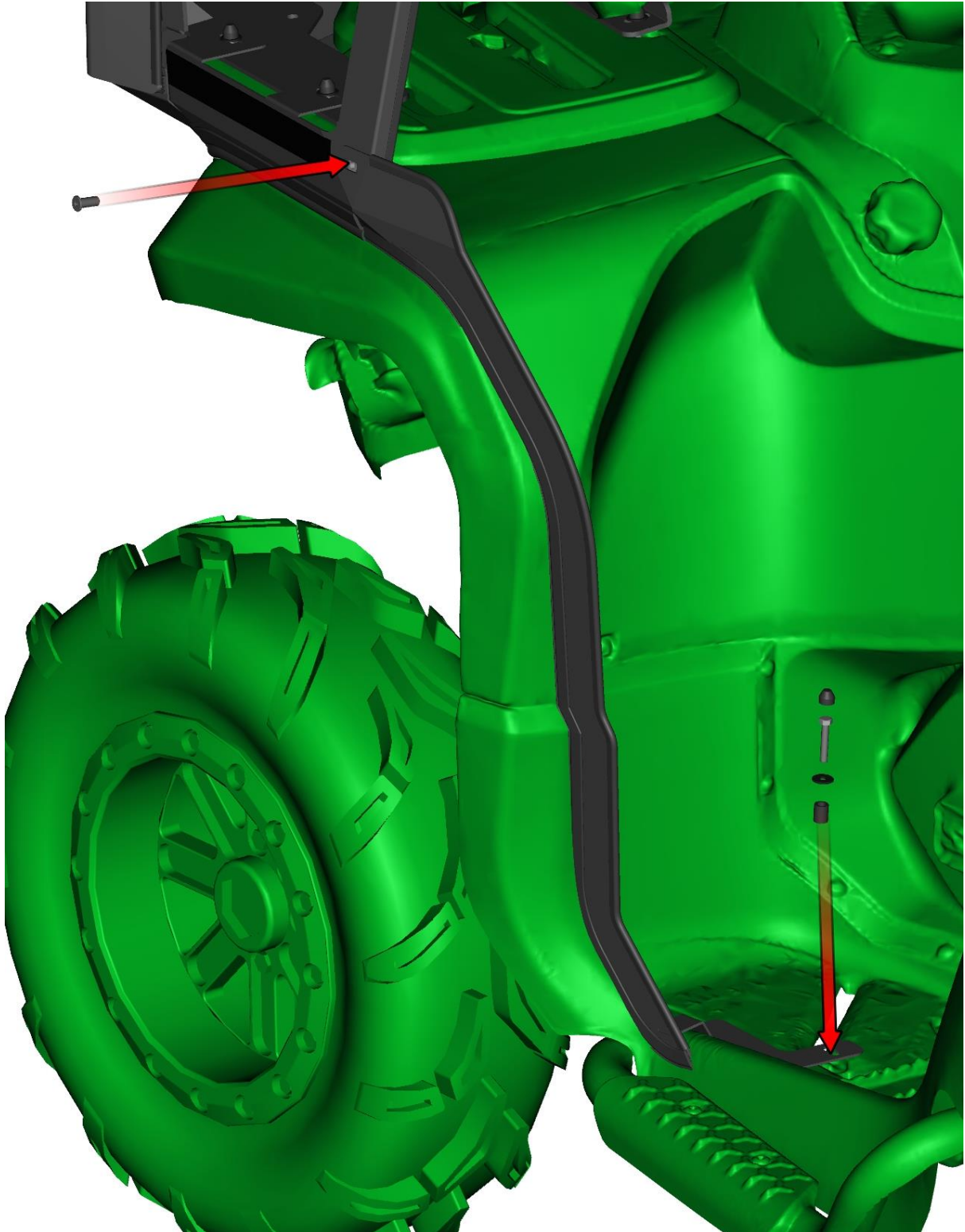
Adjust the front door ledge to correct position onto the front support and the ATV body. Repeat previous steps on the other side.



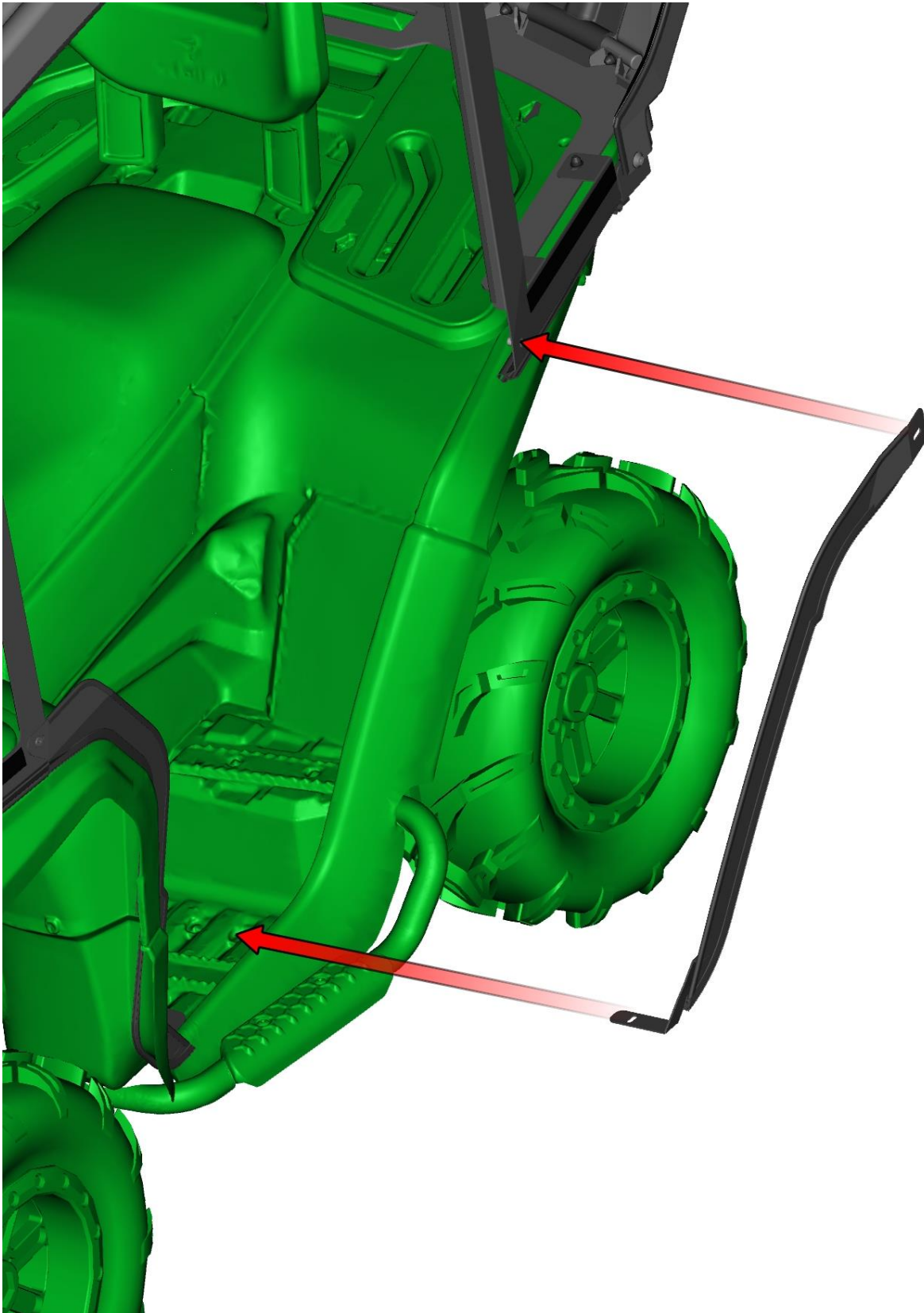
38

Fix the ledge with the support by included screw. Adjust the front door ledge to correct position and fix the ledge with the vehicle by original fixing point by included screw, washers and distance tube.

Repeat previous steps on the other side.

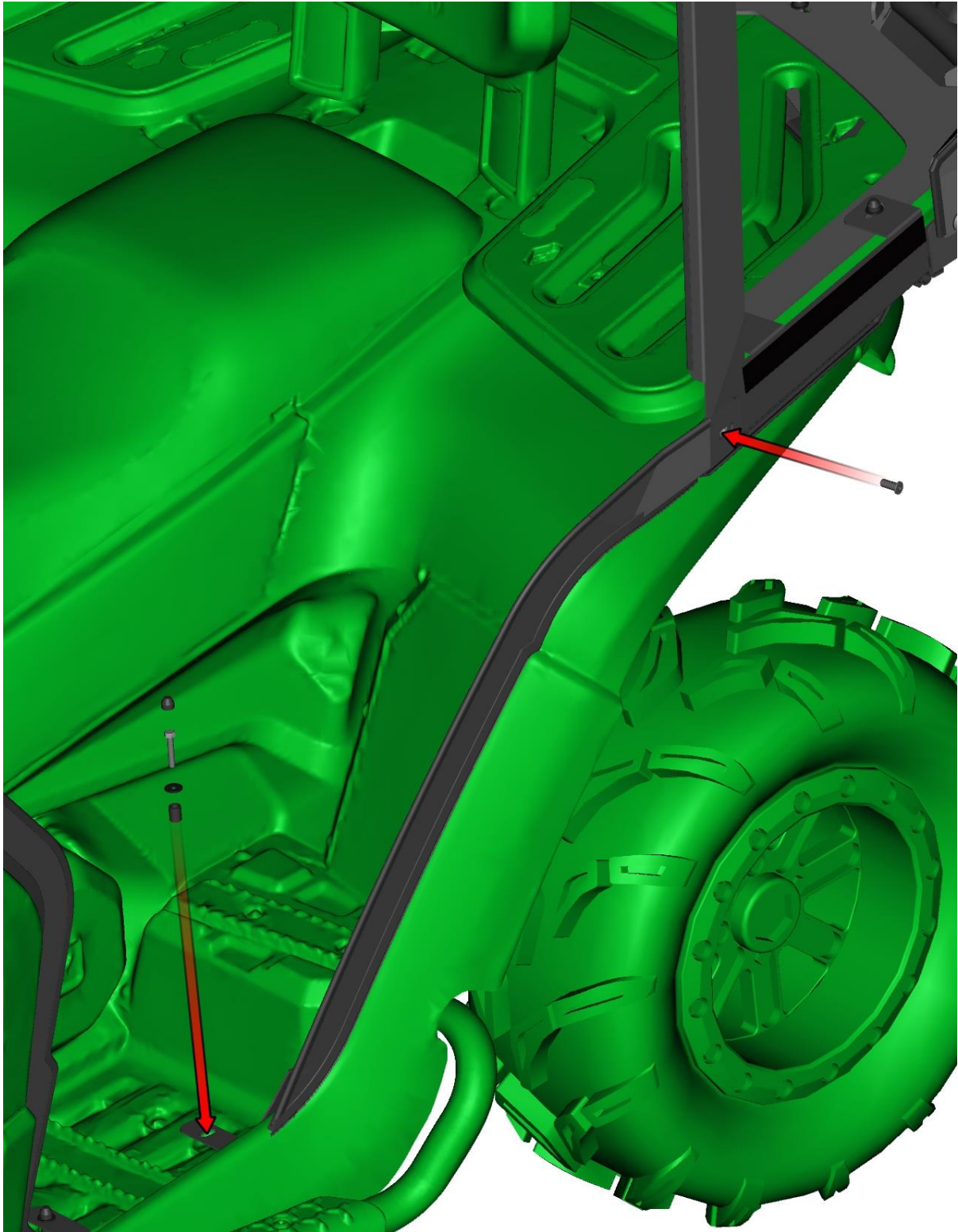


Place the rear door ledge onto the vehicle. Adjust the rear door ledge to correct position. Repeat previous steps on the other side.



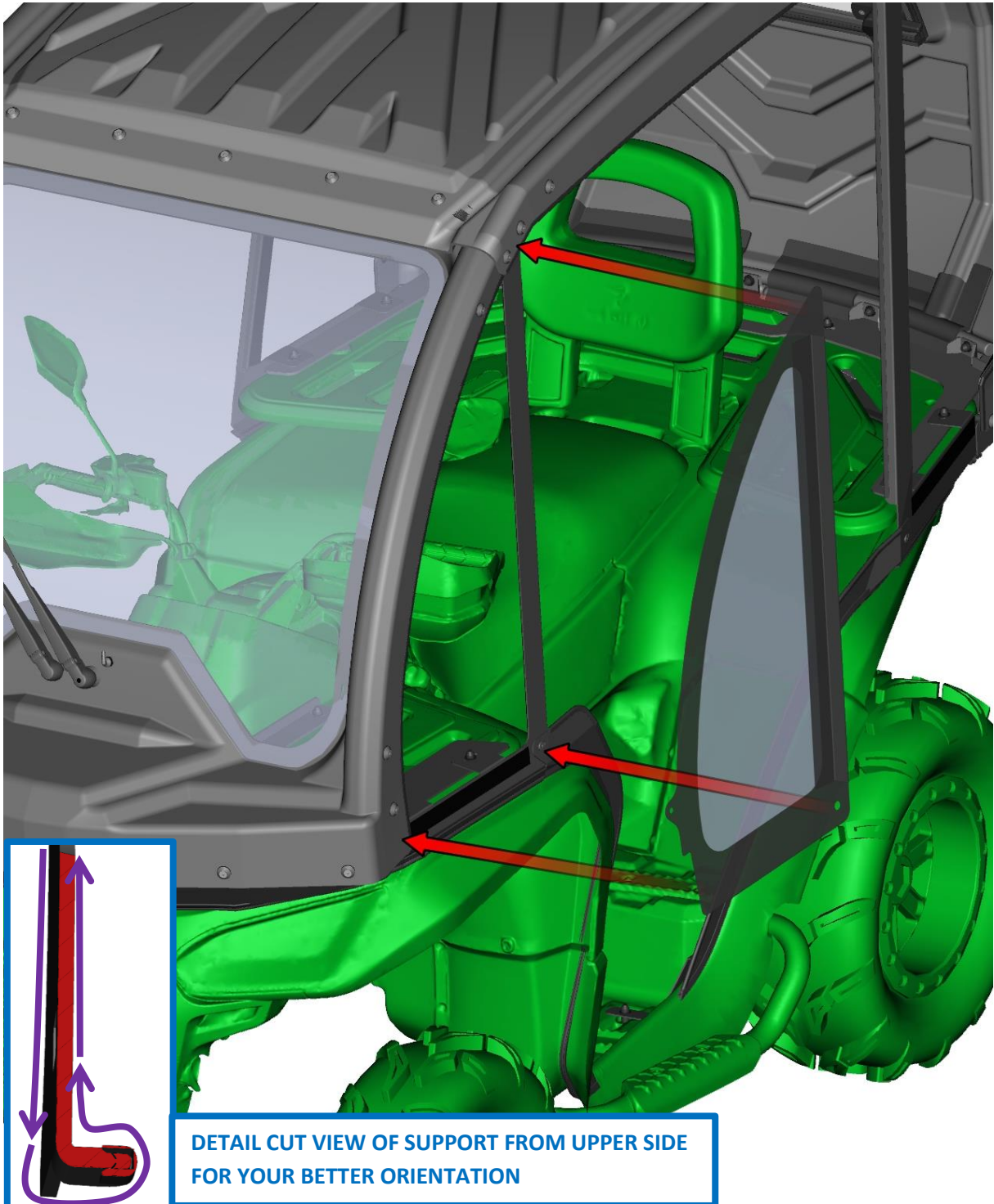
40

Fix the rear door ledge with the rear support by included screw.
Fix the rear door ledge with the vehicle by original fixing point and by included screw, washers and tube. Repeat previous steps on the other side.



41

Place the left front PVC part onto the roof panel from inner side (under the steel parts). Place the left front PVC part between the support and front door ledge and fix by screw. Fix the front edge of left front PVC part onto the front panel velcro from inner side. Turn the rear edge of the front PVC part around the support (detail cut view) and press the end of the PVC with velcro onto the PVC part.

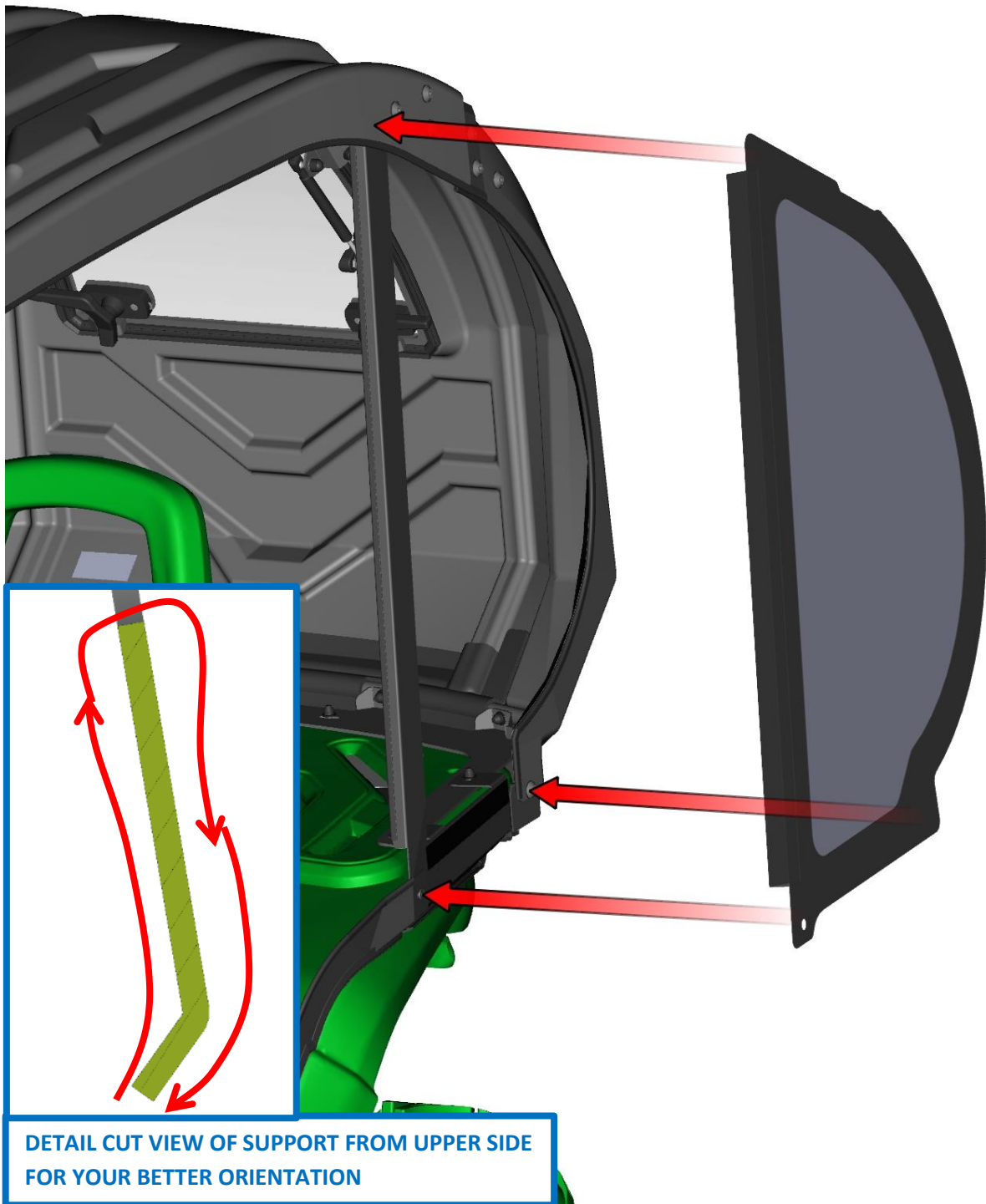


Repeat previous steps on the other side.
Detail photo from inner side of installed front PVC part on the right side of the vehicle.

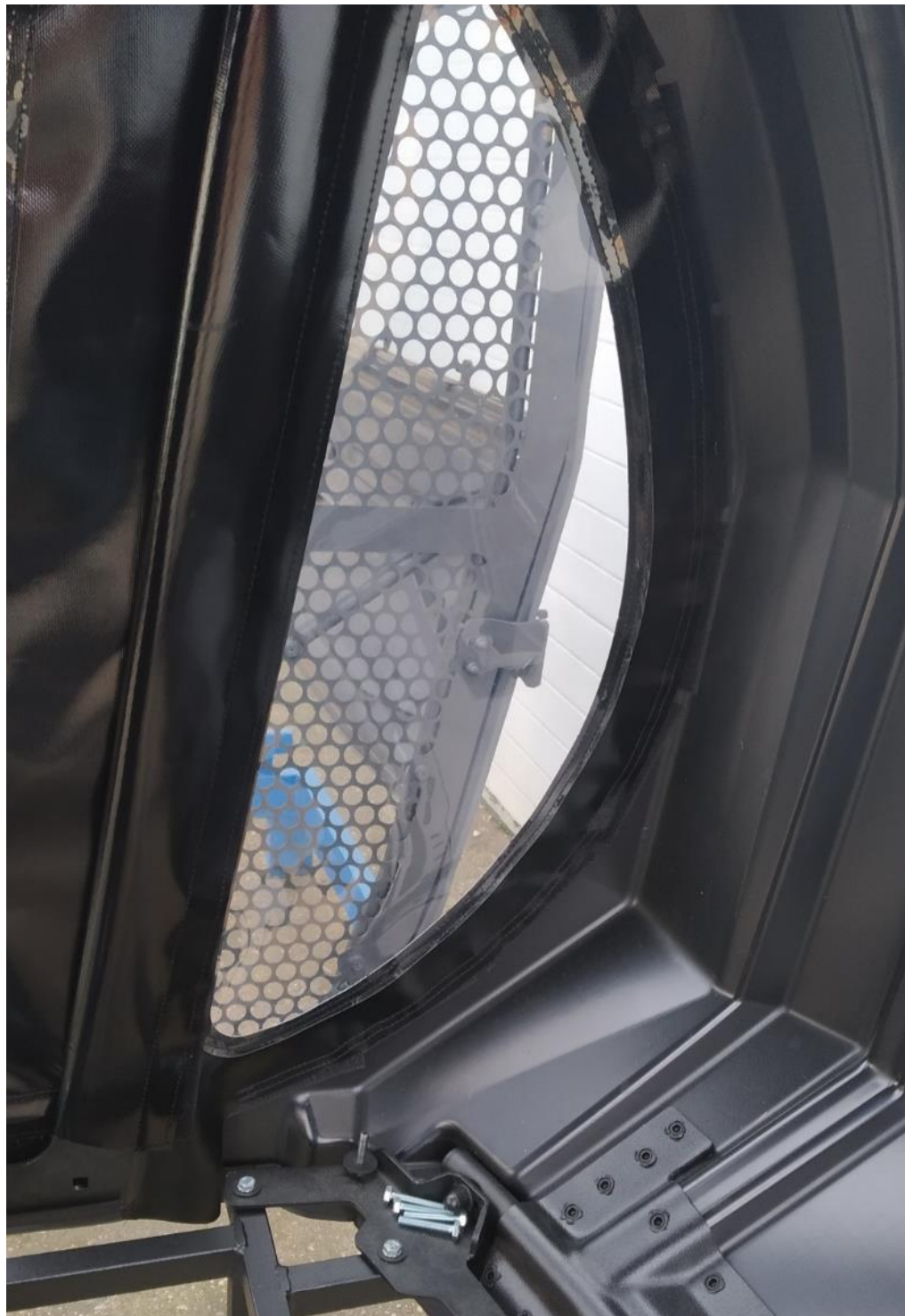


43

Place the left rear PVC part onto the roof panel from inner side (under the steel parts). Fix the bottom edge of left rear PVC part onto the support velcro from outer side. Fix the rear edge of left rear PVC part onto the rear panel velcro from inner side. Turn the front edge of the rear PVC part around the support (detail cut view) and press the end of the PVC with velcro onto the PVC part.

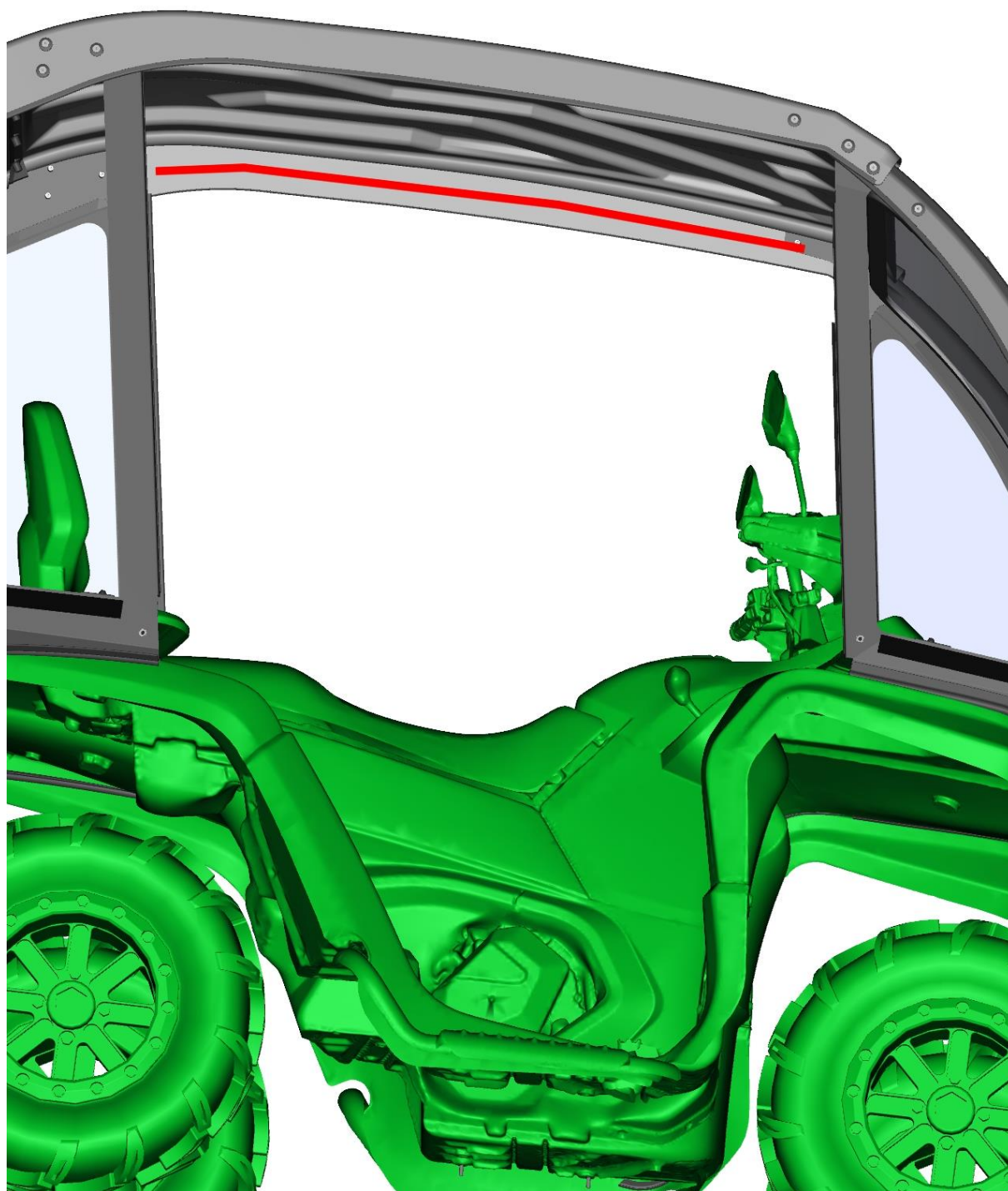


Repeat previous steps on the other side.
Detail photo from inner side of installed rear PVC part on the right side of the vehicle.



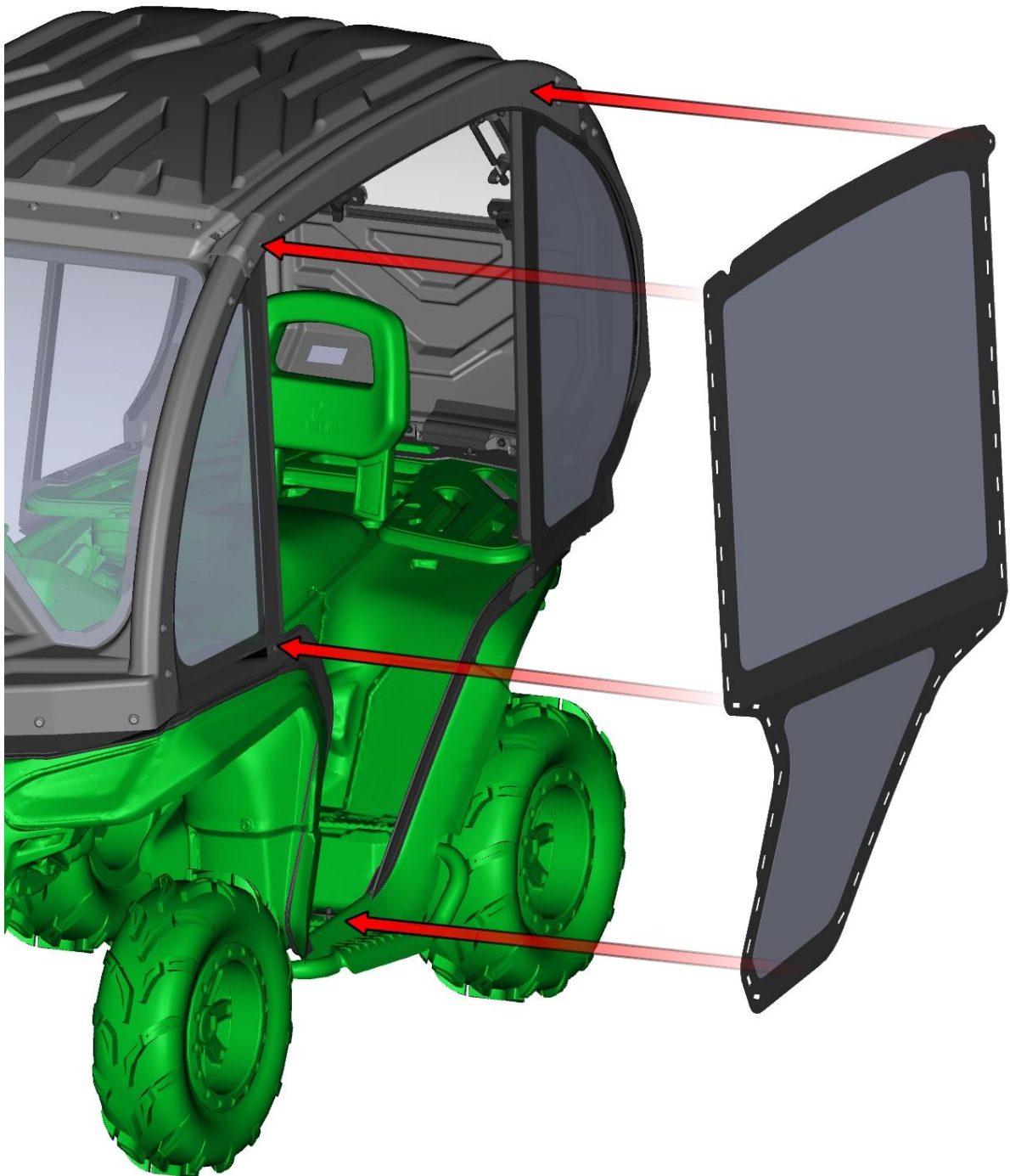
45

Clean the inner plane of the roof plastic panel (red mark) and stick with included 100 mm long self-glued velcros (10 pcs).



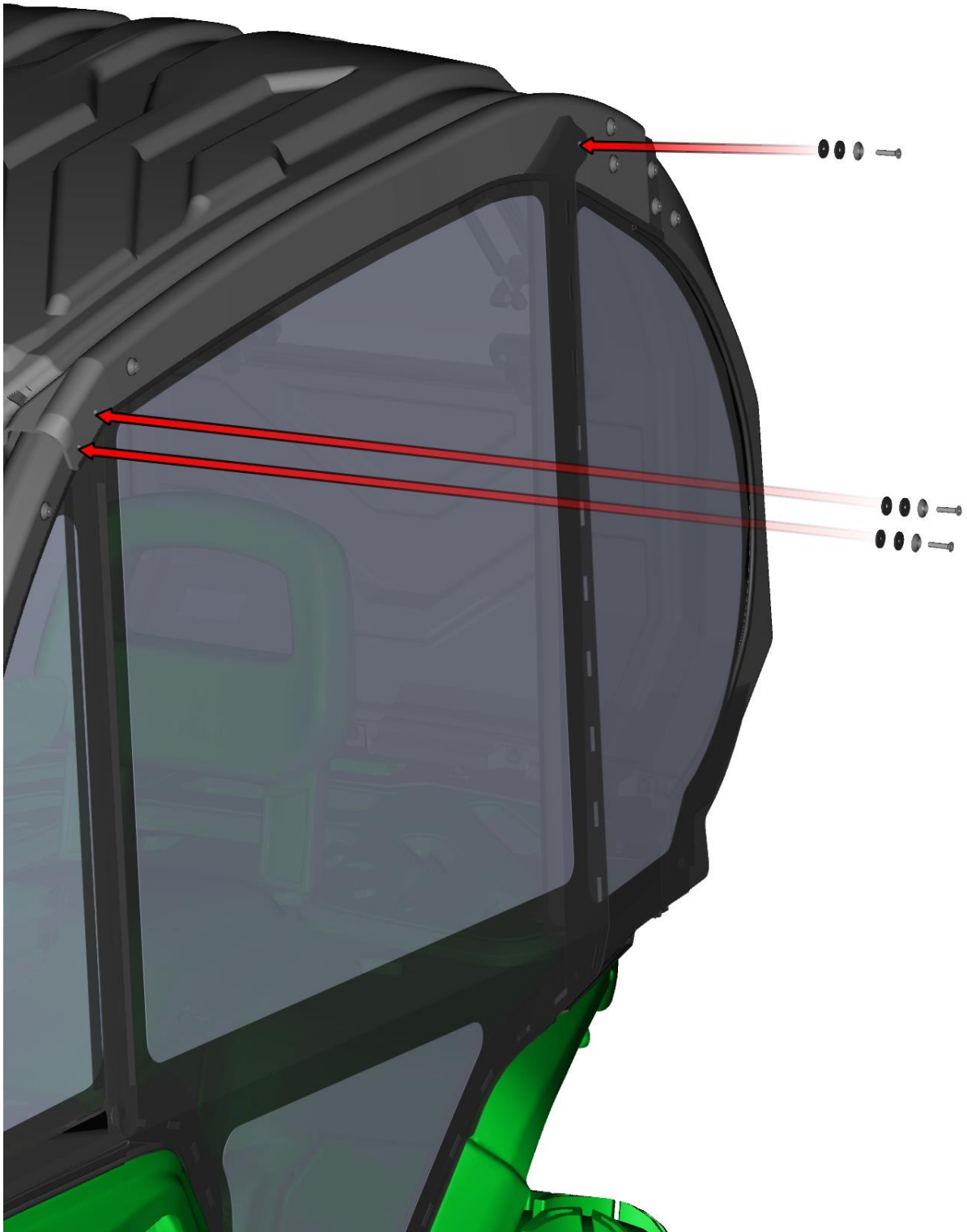
46

Place the left door PVC onto the roof from inner side and under the all steel parts. Run the door to the outer side of the front/rear supports and door ledges. In the PVC door parts are magnets. These magnets have to hold PVC door closed.



47

Adjust the PVC parts to the best position and fix by included screws and washers. Repeat previous steps on the other side.



48

Outer view onto the right PVC door installed.



ELECTROINSTALLATION 2

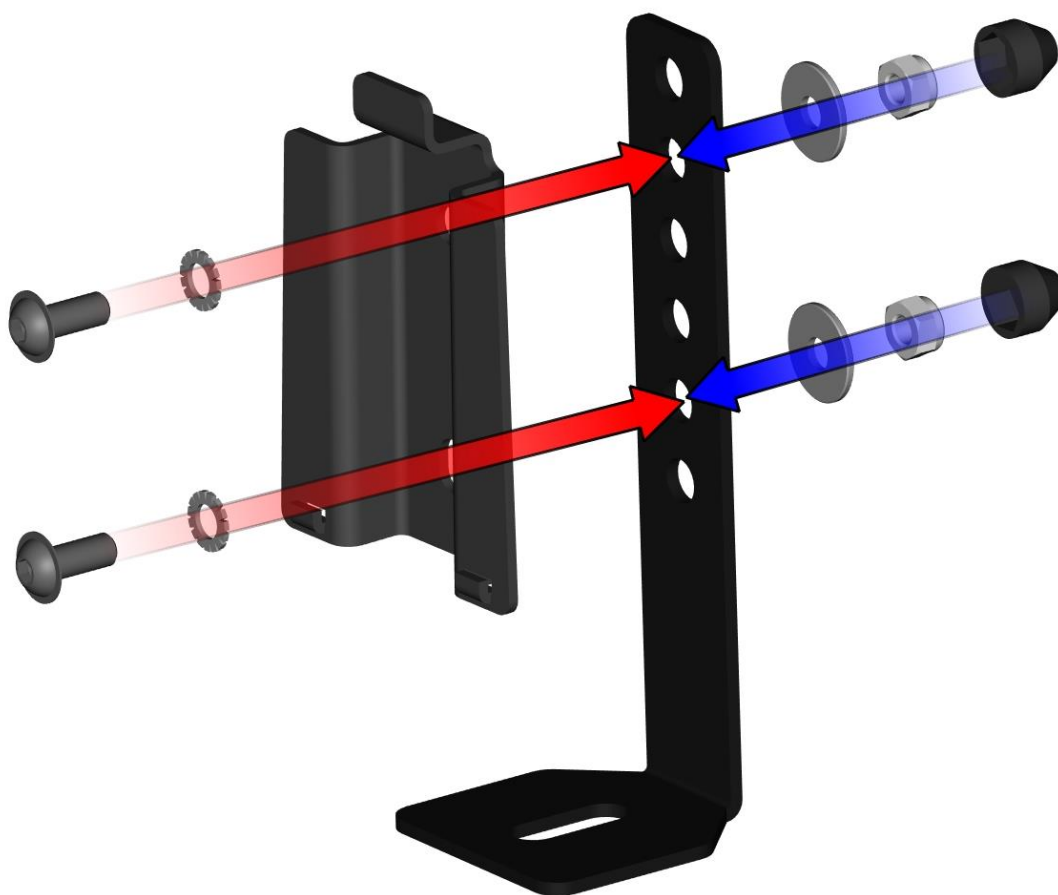
Connect the wiper/washer harness with the wiper motor.



Connect the washer hose to the washer tube.
Fill the washer liquid into the washer tank before first usage.

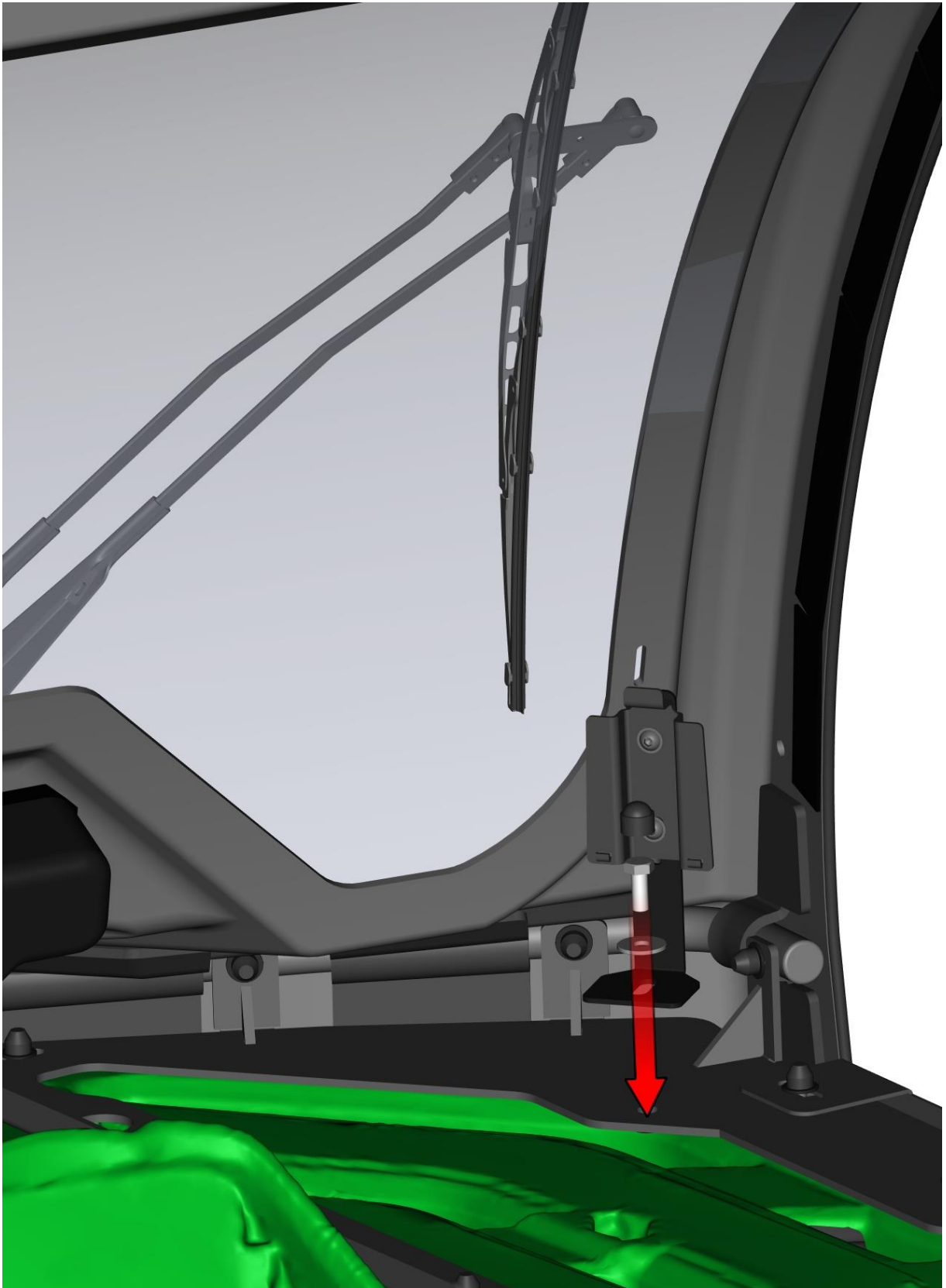


Mount the washer tank holder on the (L) holder with included fixing assemblies.



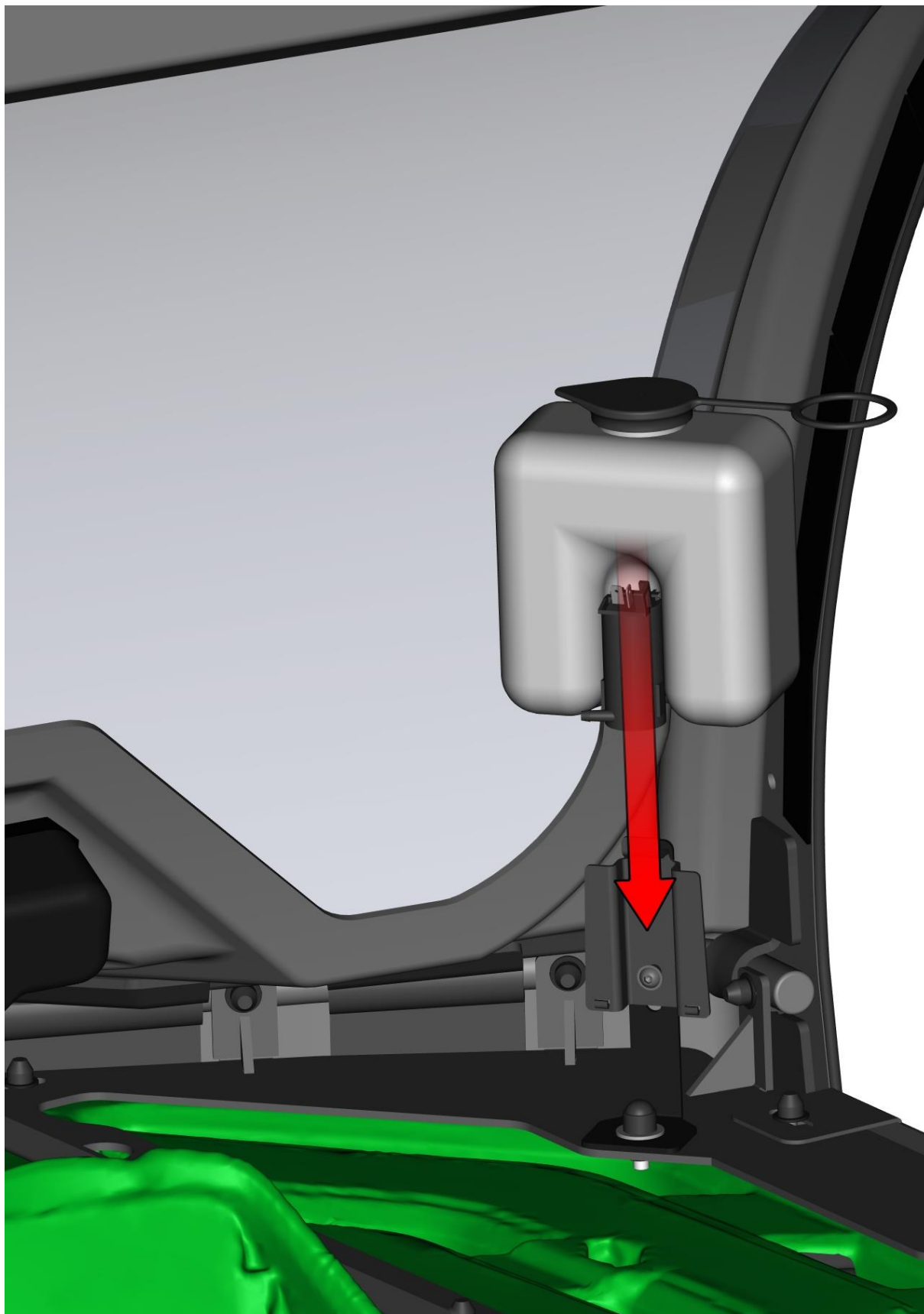
51

Place the washer tank holder on the front panel holder. Fix the washer tank holder with included screw, washer and cover.



52

Install the washer tank on the washer tank holder.



53

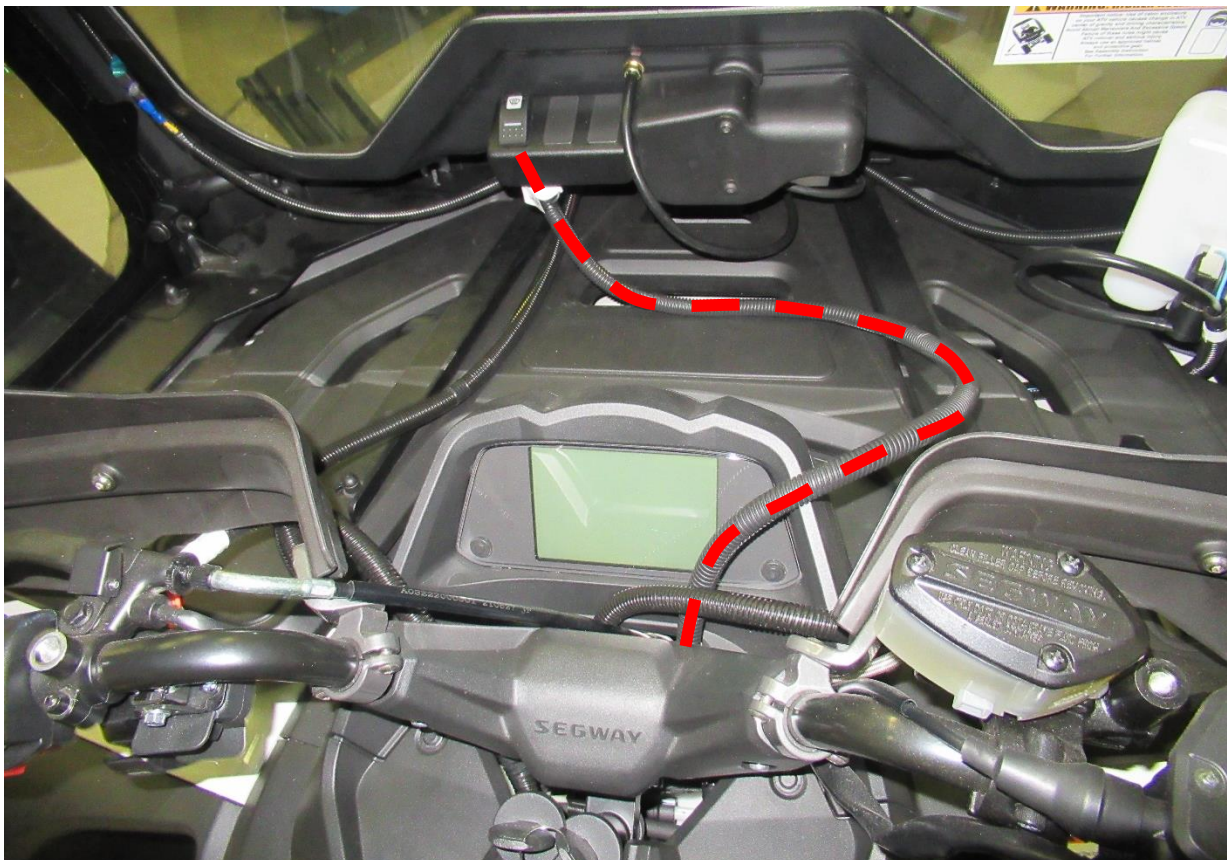
Connect the washer motor connector to the washer motor connector. Connect the washer tube to the washer motor.



If you have window defrost kit, connect the window defrost harness with the front window connectors on both sides.

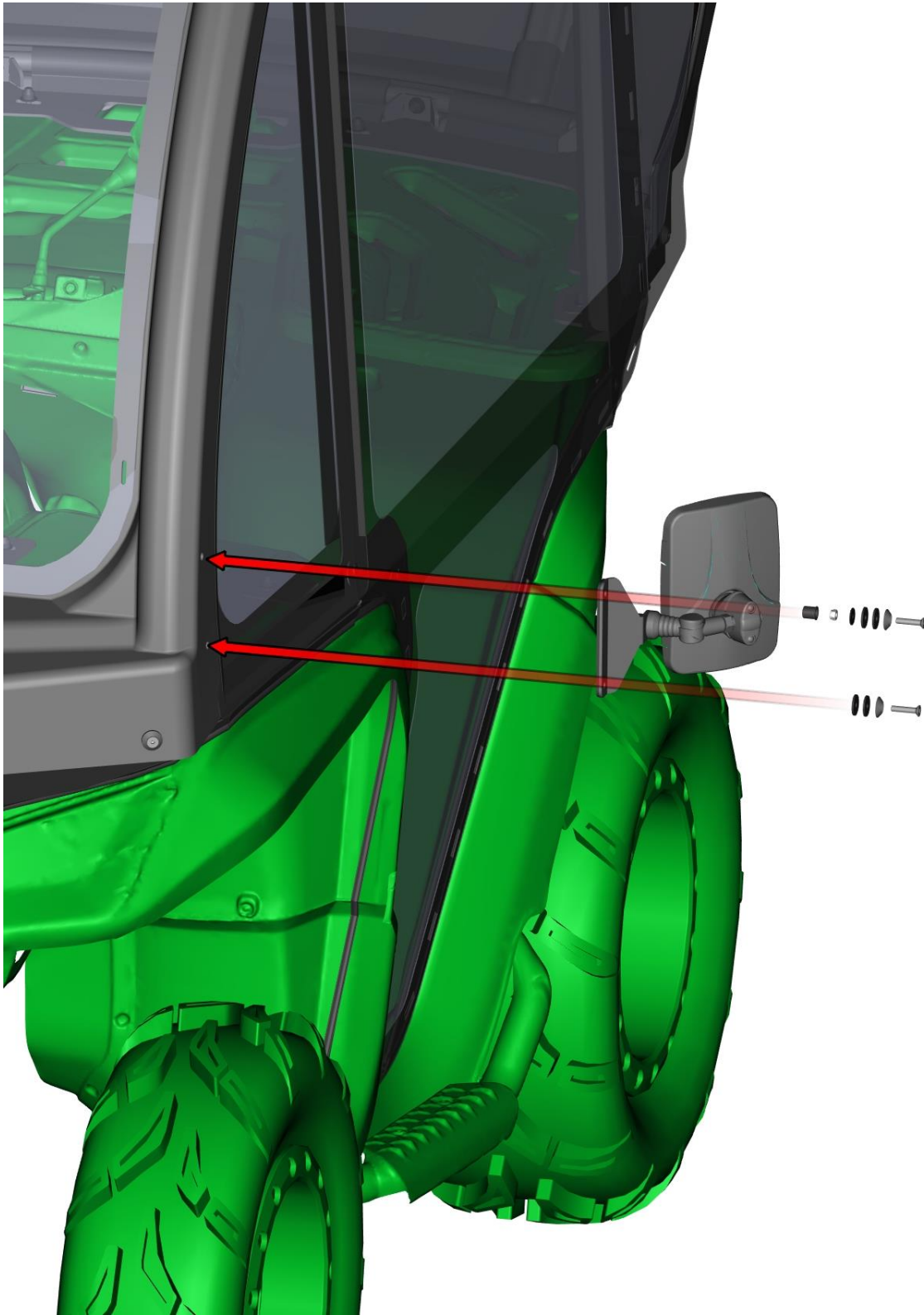


Connect the window defrost harness with the defrost switch and insert the switch into the holder.



55

Place the side mirror with the holder to the front panel. Fix the holder with the panel by included screws and washers. Repeat previous steps on the other side.



Tighten all screws and nuts, which you installed.

INSTRUCTIONS FOR USER

Wiper/washer system is controlled by switch on left handlebar (on picture below). Switch first position starts wiper, second position (with spring) starts washer.



Front window defrost system is controlled by switch near wiper motor.



WHEN YOURS FRONT WINDOW IS DEFROSTED COMPLETELY, TURN OFF THE DEFROST SYSTEM MANUALLY, PRESS THE SWITCH TO THE “ZERO” POSITION.

It is strongly recommended to not use window defrost and vehicle winch simultaneously.

Before every ride, check out side mirrors adjustment. Side mirrors has to be adjusted to focus on driver critical view angles.



58

BOLT TORQUE

BOLT TORQUE SPECIFICATIONS

GENERAL TORQUE SPECIFICATION TABLE

Use the following torques when special torques are not given. These values apply to fasteners as received from suppliers, dry, or when lubricated with normal engine oil. They do not apply if special graphited or moly disulphide greases or other extreme pressure lubricants are used. This applies to both UNF and UNC threads. Remember to always use grade five or better when replacing bolts.

IMPORTANT: On all PLATED GRADE 8 bolts, reduce torque 15% from listed bolt torque specification.

SAE Grade No.		2				5				8*			
Bolt head identification mark as per grade. NOTE: Manufacturing Marks Will Vary													
		TORQUE		TORQUE		TORQUE		TORQUE		TORQUE		TORQUE	
Bolt Size		Pounds Feet		Newton-Meters		Pounds Feet		Newton-Meters		Pounds Feet		Newton-Meters	
Inches	Millimeters	Min.	Max.	Min.	Max.	Min.	Max.	Min.	Max.	Min.	Max.	Min.	Max.
1/4	6.35	5	6	7	8	9	11	12	15	12	15	16	20
5/16	7.94	10	12	14	16	17	20.5	23	28	24	29	33	39
3/8	9.53	20	23	27	31	35	42	48	57	45	54	61	73
7/16	11.11	30	35	41	47	54	64	73	87	70	84	95	114
1/2	12.70	45	52	61	70	80	96	109	130	110	132	149	179
9/16	14.29	65	75	88	102	110	132	149	179	160	192	217	260
5/8	15.88	95	105	129	142	150	180	203	244	220	264	298	358
3/4	19.05	150	185	203	251	270	324	366	439	380	456	515	618
7/8	22.23	160	200	217	271	400	480	542	651	600	720	814	976
1	25.40	250	300	339	406	580	696	787	944	900	1080	1220	1464
1-1/8	25.58	-	-	-	-	800	880	1085	1193	1280	1440	1736	1953
1-1/4	31.75	-	-	-	-	1120	1240	1519	1681	1820	2000	2468	2712
1-3/8	34.93	-	-	-	-	1460	1680	1980	2278	2380	2720	3227	3688
1-1/2	38.10	-	-	-	-	1940	2200	2631	2983	3160	3560	4285	4827

*Thick Nuts must be used with Grade 8 bolts

METRIC BOLT TORQUE SPECIFICATIONS

Size of Screw	Property Class	Course Thread			Fine Thread		
		Pitch (mm)	Pounds Feet	Newton-Meters	Pitch (mm)	Pounds Feet	Newton-Meters
M6	5.6	1.0	3.6-5.8	4.9-7.9	-	-	-
	8.8		5.8-9.4	7.9-12.7		-	-
	10.9		7.2-10	9.8-13.6		-	-
M8	5.6	1.25	7.2-14	9.8-19	1.0	12-17	16.3-23
	8.8		17-22	23-29.8		19-27	25.7-36.6
	10.9		20-26	27.1-35.2		22-31	29.8-42
M10	5.6	1.5	20-25	27.1-33.9	1.25	20-29	27.1-39.3
	8.8		34-40	46.1-54.2		35-47	47.4-63.7
	10.9		38-46	51.5-62.3		40-52	54.2-70.5
M12	5.6	1.75	28-34	37.9-46.1	1.25	31-41	42-55.6
	8.8		51-59	69.1-79.9		55-68	75.9-92.1
	10.9		57-66	77.2-89.4		62-75	84-101.6
M14	5.6	2.0	49-56	66.4-75.9	1.5	52-64	70.5-86.7
	8.8		81-93	109.8-126		90-106	122-143.6
	10.9		96-109	130.1-147.7		107-124	145-168
M16	5.6	2.0	67-77	90.8-104.3	1.5	69-83	93.6-112.5
	8.8		116-130	157.2-176.2		120-138	162.6-187
	10.9		129-145	174.8-196.5		140-158	189.7-214.1
M18	5.6	2.0	88-100	119.2-136	1.5	100-117	136-158.5
	8.8		150-168	203.3-227.6		177-199	239.8-269.6
	10.9		175-194	237.1-262.9		202-231	273.7-313
M20	5.6	2.5	108-130	146.3-176.2	1.5	132-150	178.9-203.3
	8.8		186-205	252-277.8		206-242	279.1-327.9
	10.9		213-249	288.6-337.4		246-289	333.3-391.6



Declaration of conformity



DFK Cab, s.r.o.

Za Olšávkou 391

686 01 Uherské Hradiště

Česká republika / Czech Republic