



*INSTALLATION INSTRUCTIONS*

**SEGWAY**  
**FUGLEMAN CARGO BOX**



## **SAFETY INSTRUCTIONS**

### **READ PROPERLY COMPLETE ASSEMBLY INSTRUCTIONS BEFORE STARTING OF ASSEMBLY**

***Warning: Failure to heed all safety and operating instructions and warnings regarding use of this product can result in serious bodily injury.***

***Install all parts indicated in assembly instructions. Failure to fully assemble product before use could result in personal injury.***

***Assembly of product requires use of hand or power tools. If you are not experienced in using these types of tools, have product dealer do the install for you.***

***Some parts contain sharp edges, wear protective gloves if necessary. Always keep your assembly area clean, uncluttered and well lit.***

***Keep visitors and children a safe distance away from the assembly area. Visitors should wear the same safety equipment described under.***

***Never operate your UTV with the cab doors open. Failure to properly latch the doors before moving the vehicle could result in serious injury.***

***Dress for safety. DO NOT wear loose clothing, gloves, neckties or jewelry if using power tools to assemble this product. Insert all nut covers after you finish installation.***

***Never drive your UTV with the cab front window in open position.***

***Failure of improperly latched/locked front window before driving the vehicle could result in serious injury.***

## **MAINTENANCE AND CLEANING**

*To clean polycarbonate surface use soapy water solution or other subtle means.*

*Dirt and dust wash by gently water stream and swipe only with wet or damp means in the direction from top to bottom.*

*The recommended frequency of cleaning of polycarbonate part is about 1 time per month or according to the actual degree of pollution.*

*Do not use detergents that could scratch the surface plates (abrasives, harsh fabrics, etc.).*

*Do not use solvents or alkaline detergents or cleaners with ammonia (ammonium hydroxide).*

*Do not remove the impurities from the surface of the razor blades or other sharp items.*

*Do not clean cabin, when the polycarbonate plates are heated by the sun.*

*Do not use the squeegee. It could be scratched surface plates.*

*Do not clean the water current strength greater than 50 bar (WAP).*

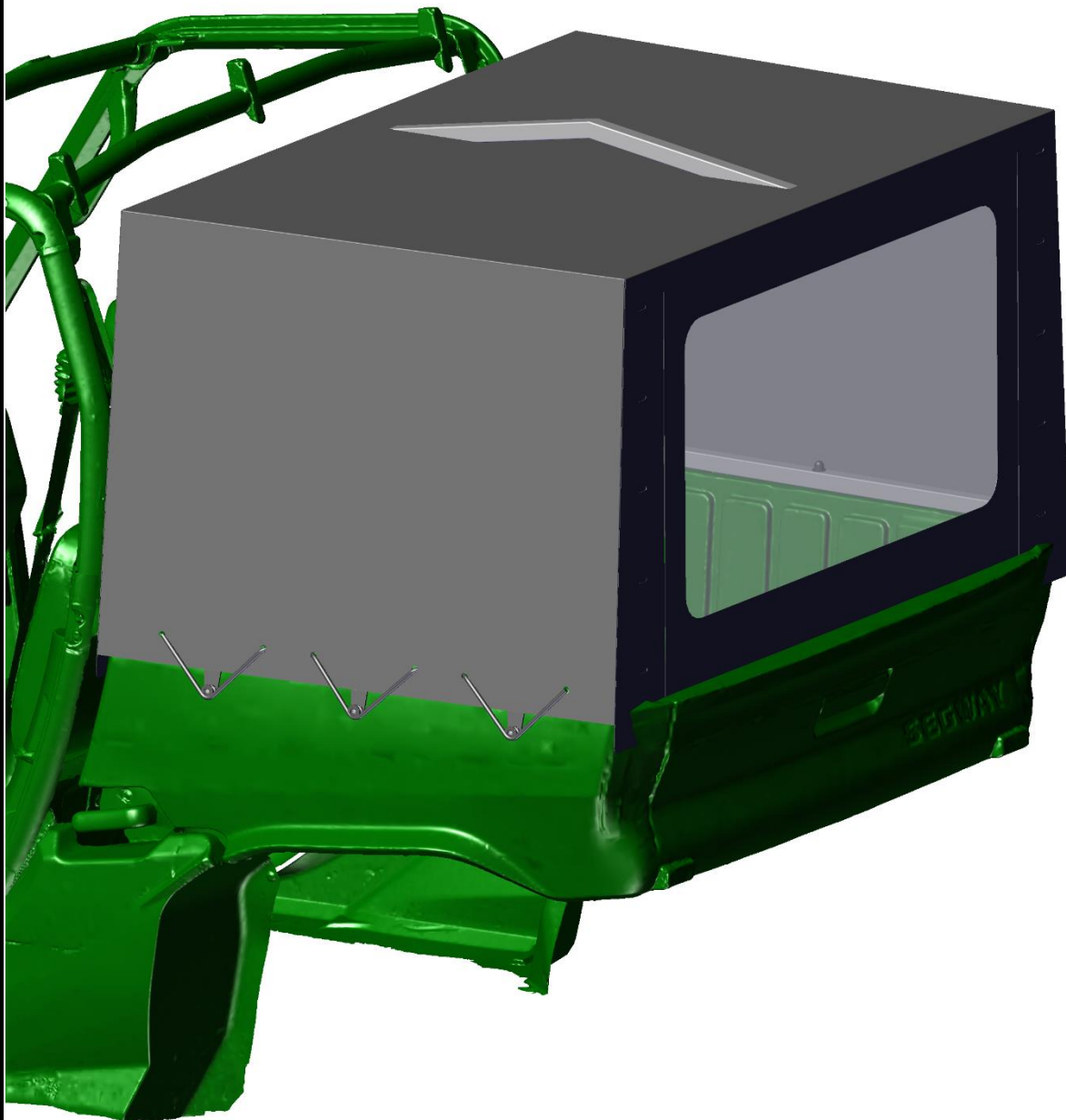
*The manufacturer is not responsible for scratching the surface in case of failure to comply with the above instructions.*

*All bolted connections of cab must be checked and tightened by user at regular intervals.*

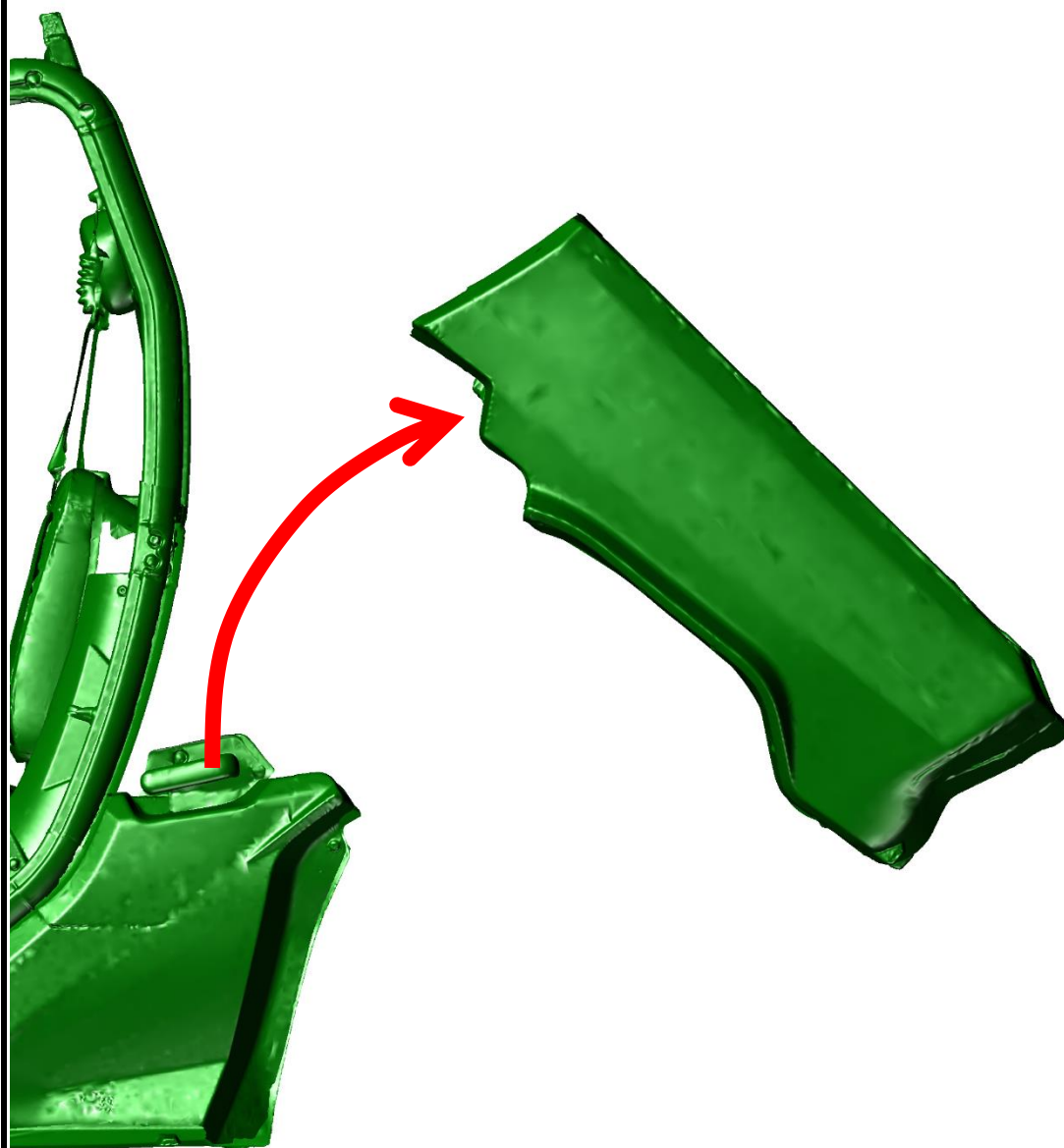
*It is necessary to check the air filter of the heater regularly, depending on the dust environment in which the vehicle is operated.*

CARGO-BOX  
PREVIEW

4



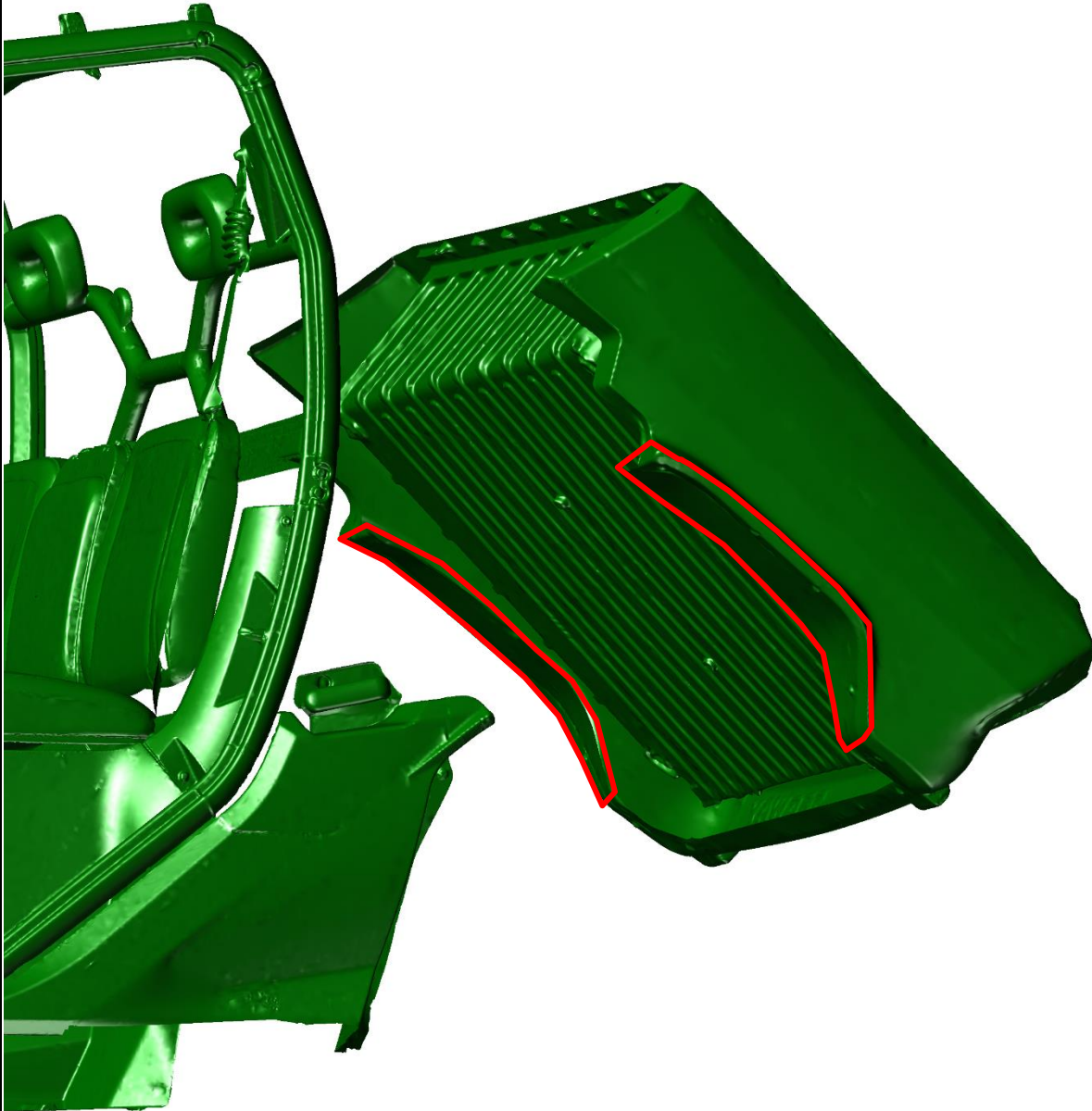
Turn the cargo to the open position.



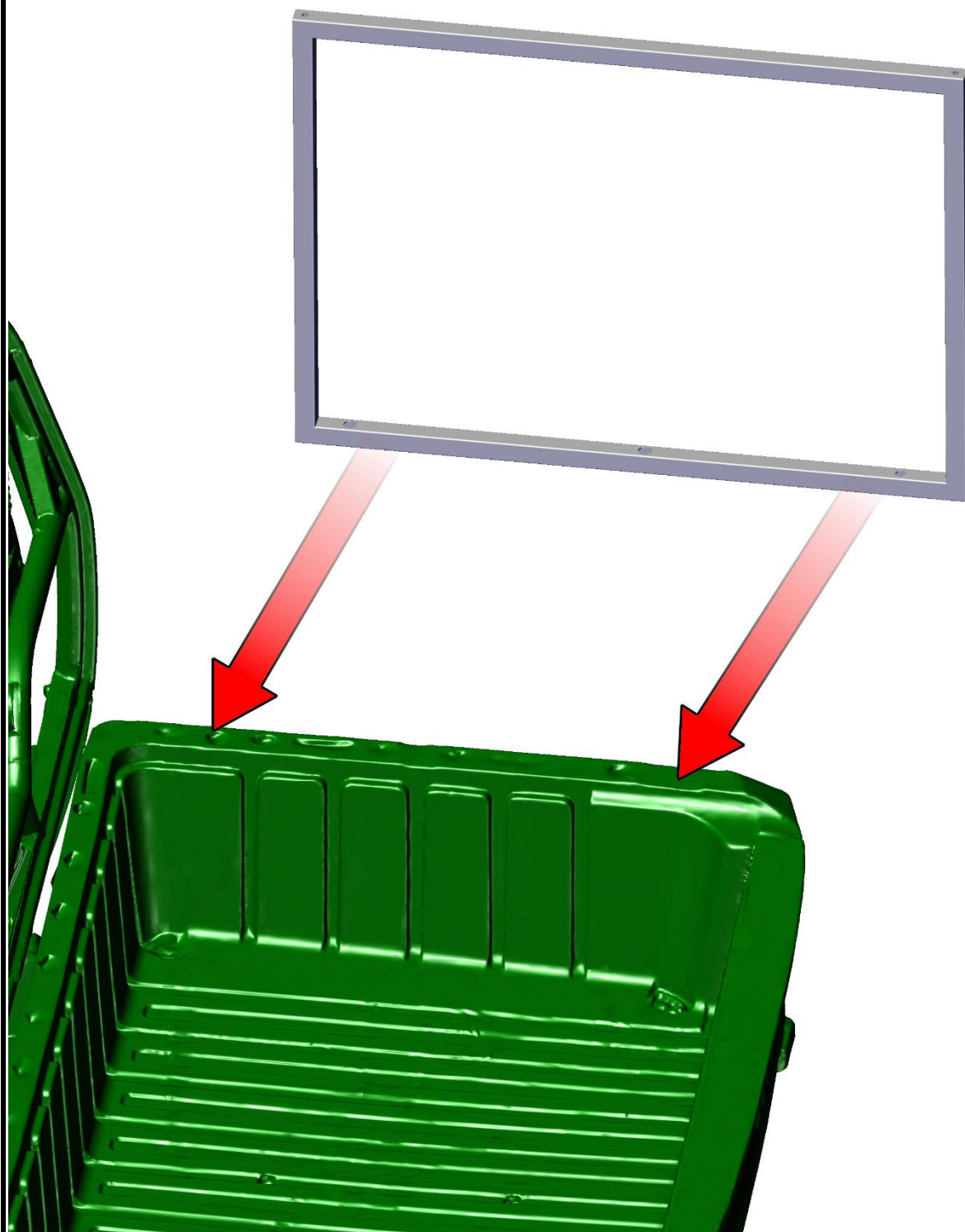
5

Uninstall the bottom cargo covers from both sides.

6



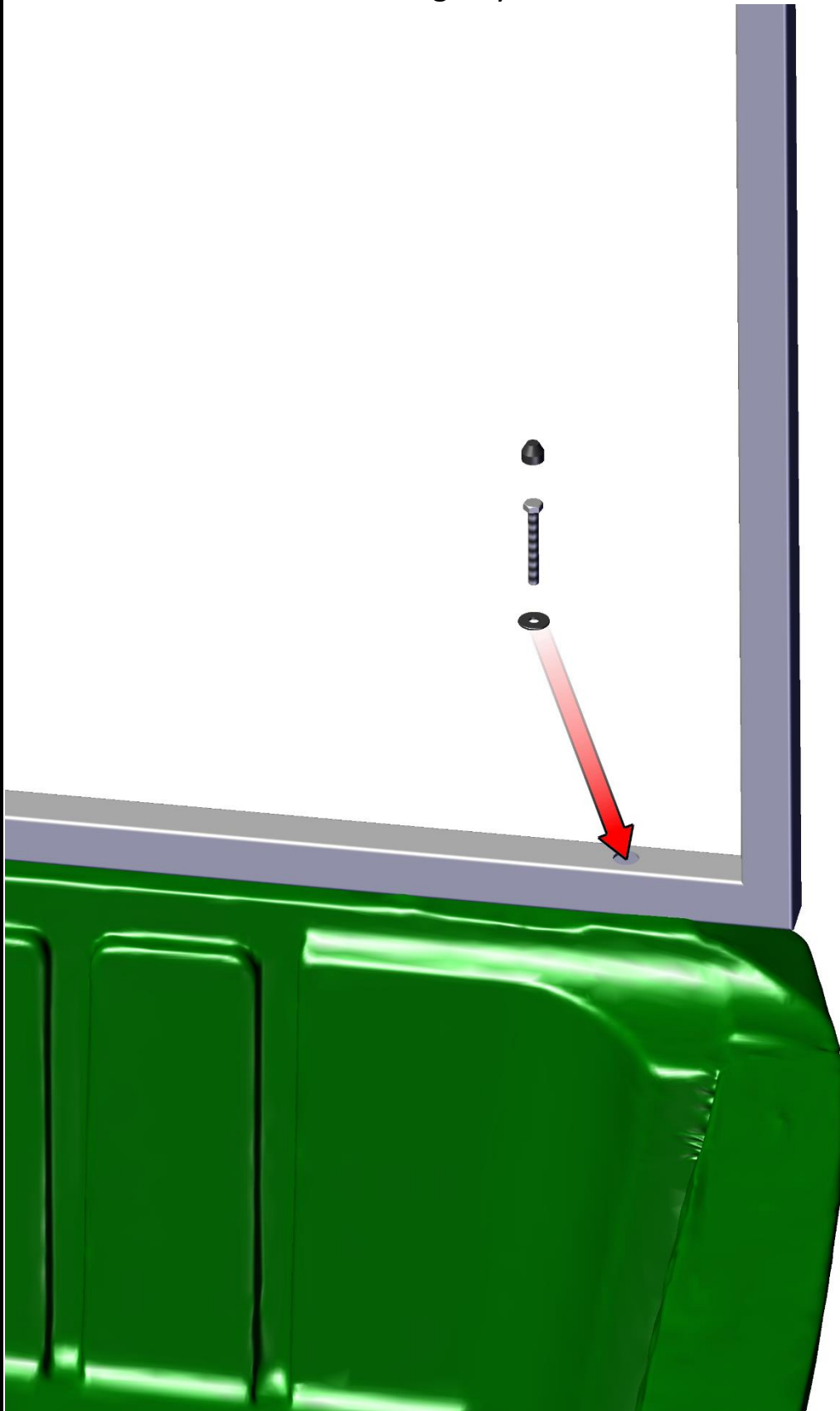
Place the side frame onto the cargo-bed.



7

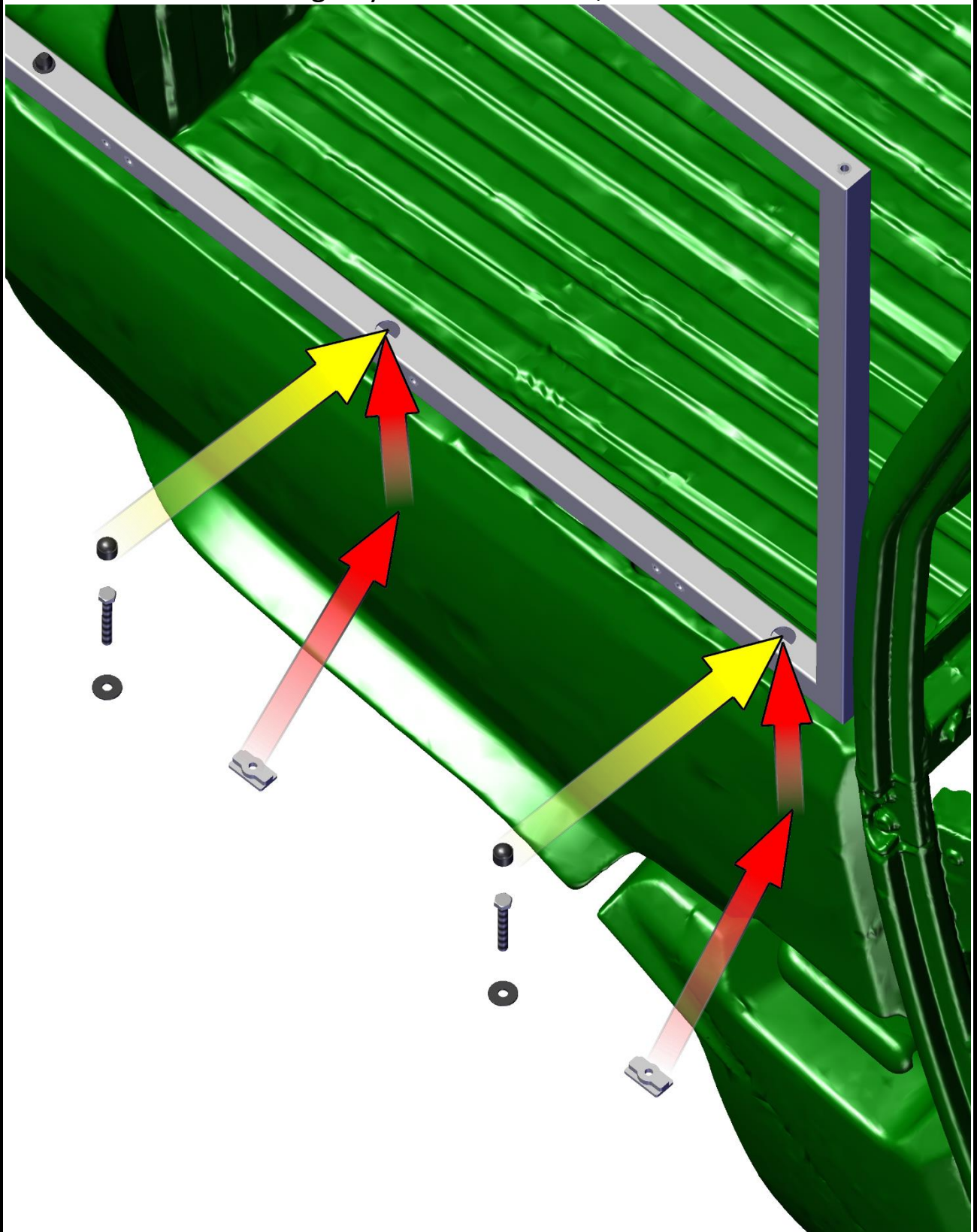
Fix the frame with the cargo by included screw, washer and cover.

8





Insert the bases inside the cargo from bottom side. Fix the bases with the frame to the cargo by included screws, washers and covers.

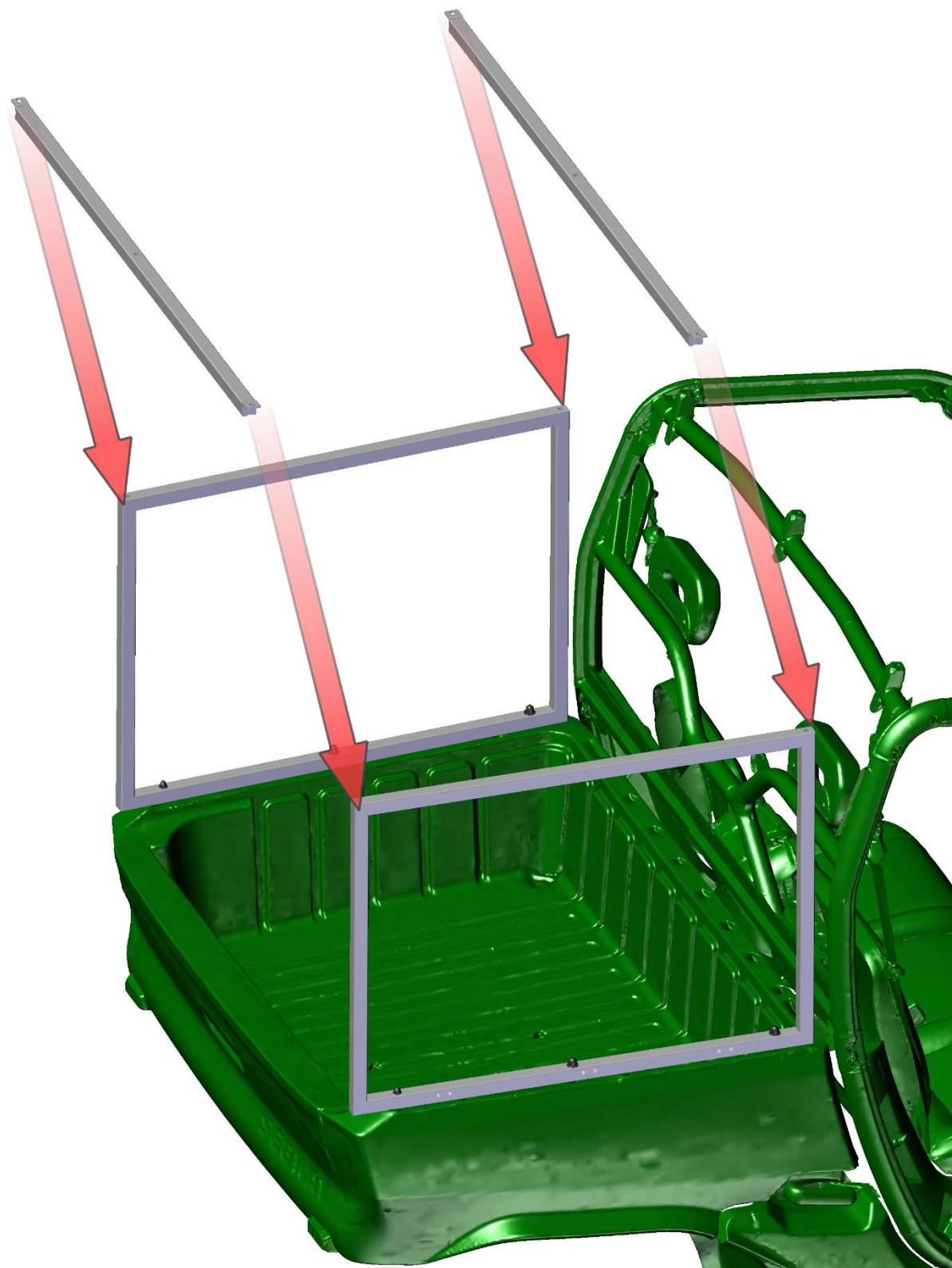


Repeat previous steps on the second side of the cargo. DO NOT TIGHTEN  
SCREWS HARD YET

10



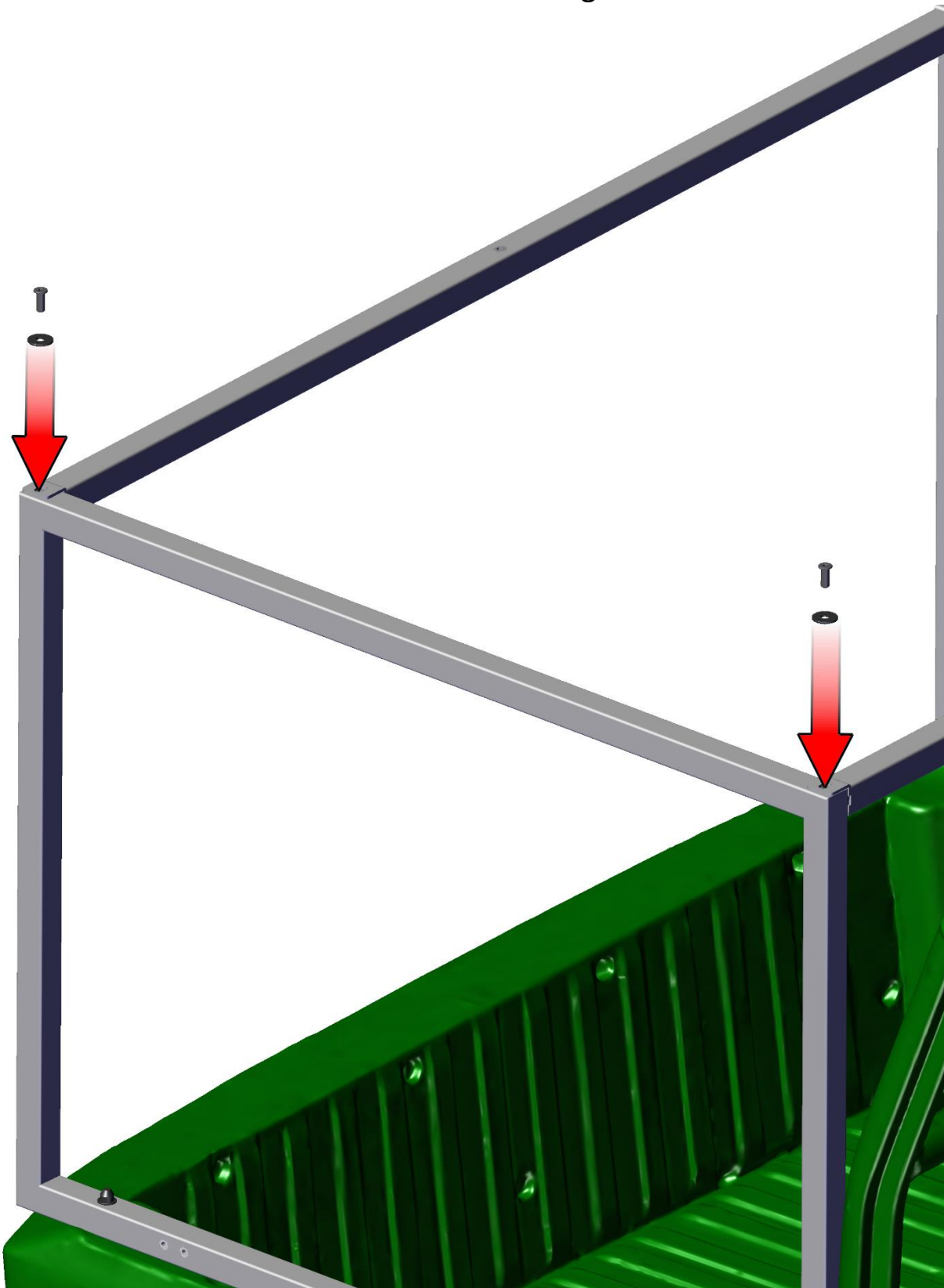
Place the upper frames onto the side frames.



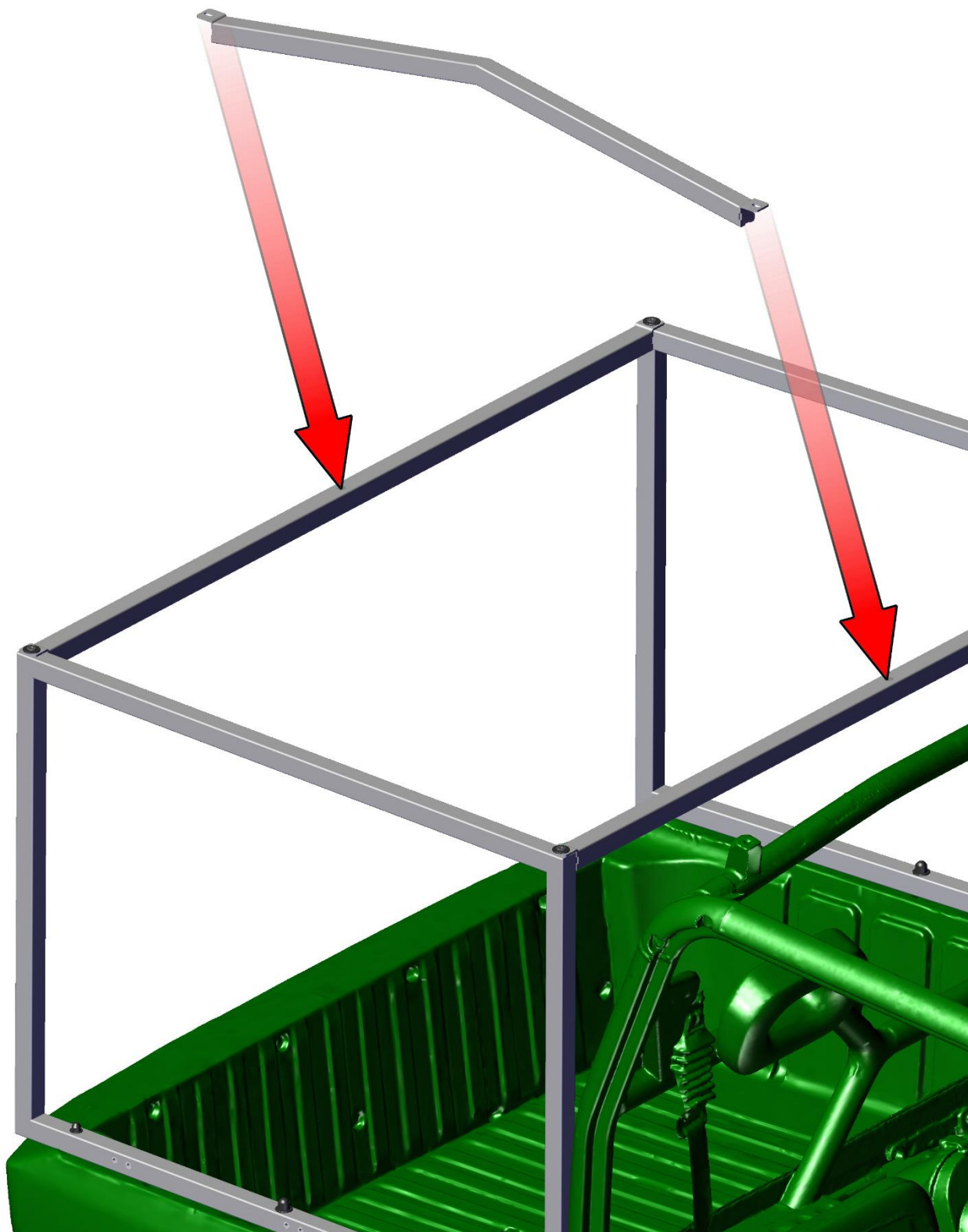
11

Fix the upper frames with the side frame by included screws and washers on both sides of the cargo.

12



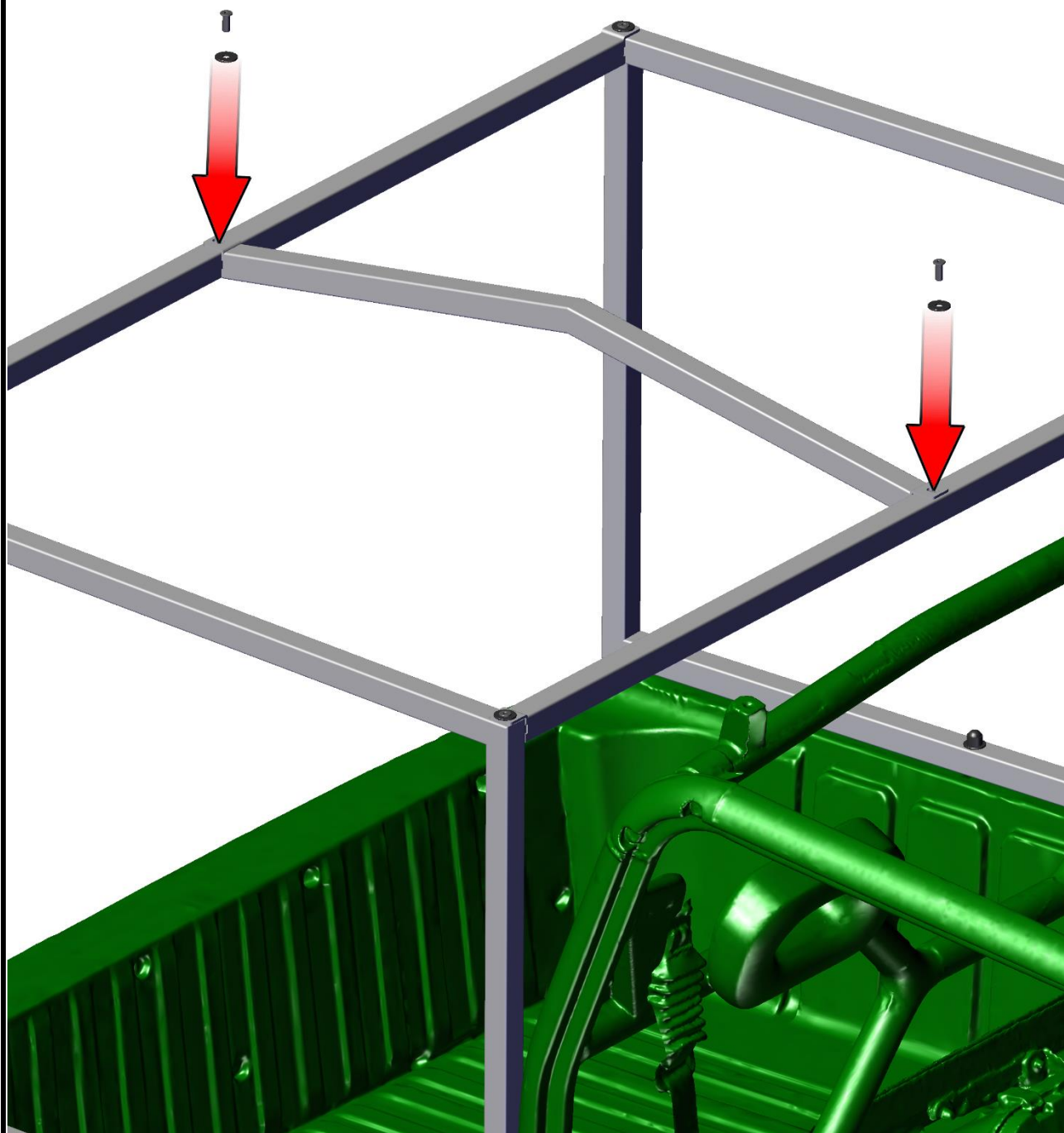
Place the central frame onto the upper frames.



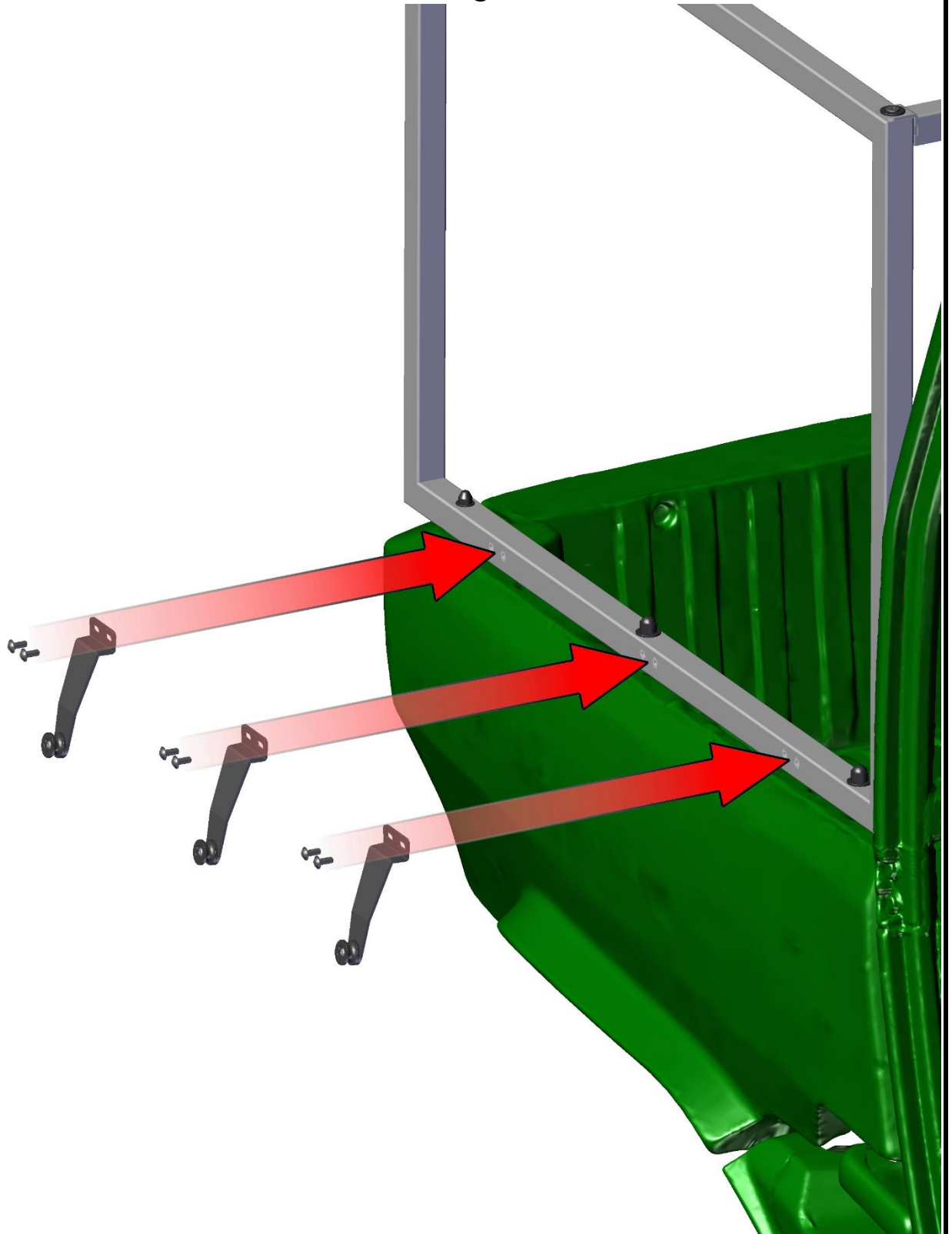
13

Fix the central frame with the upper frames by included screws and washers.

14

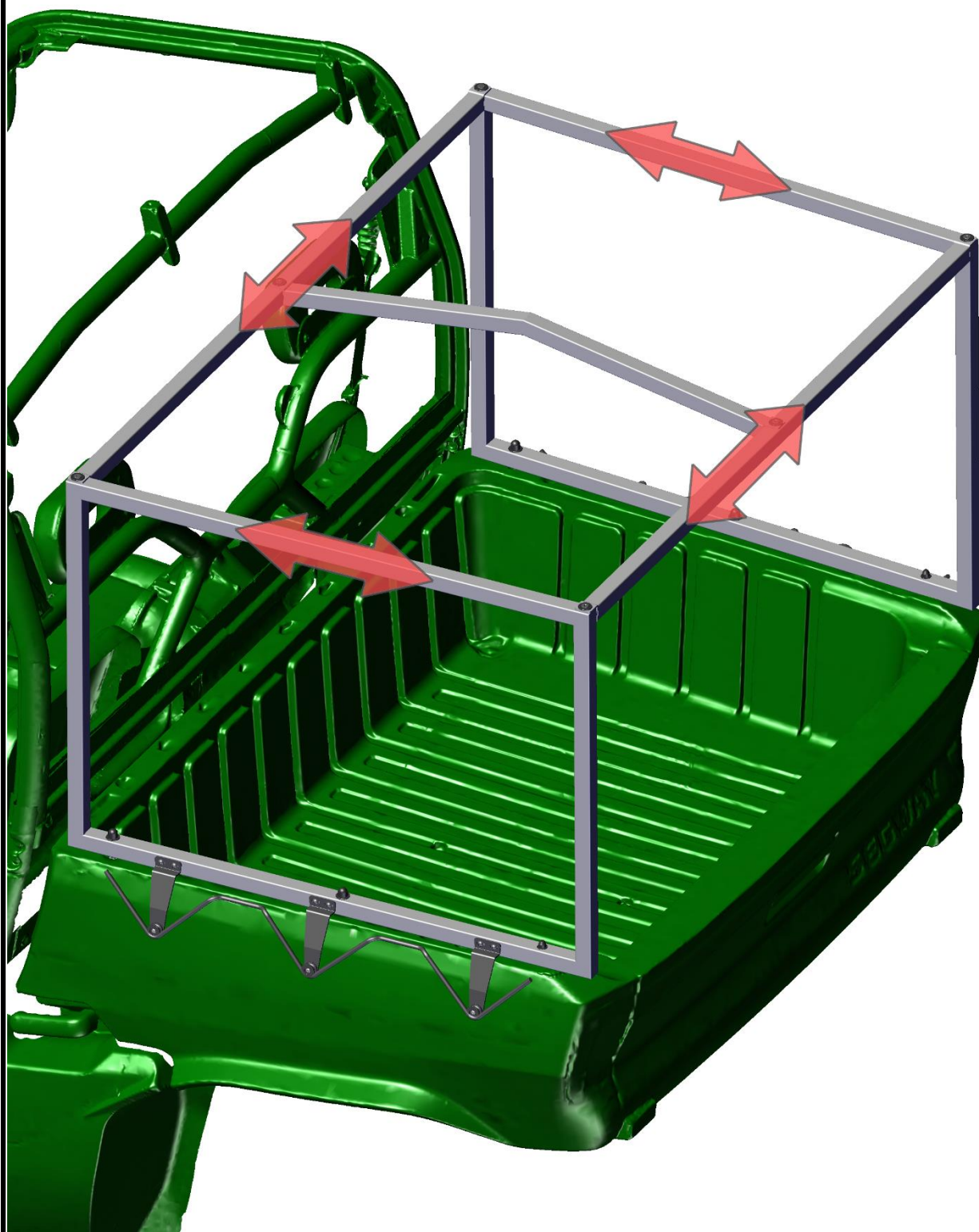


Place the tensioner holders onto the side frame. Fix the holders with the frame by included screws. Repeat previous steps on the second side of the cargo.



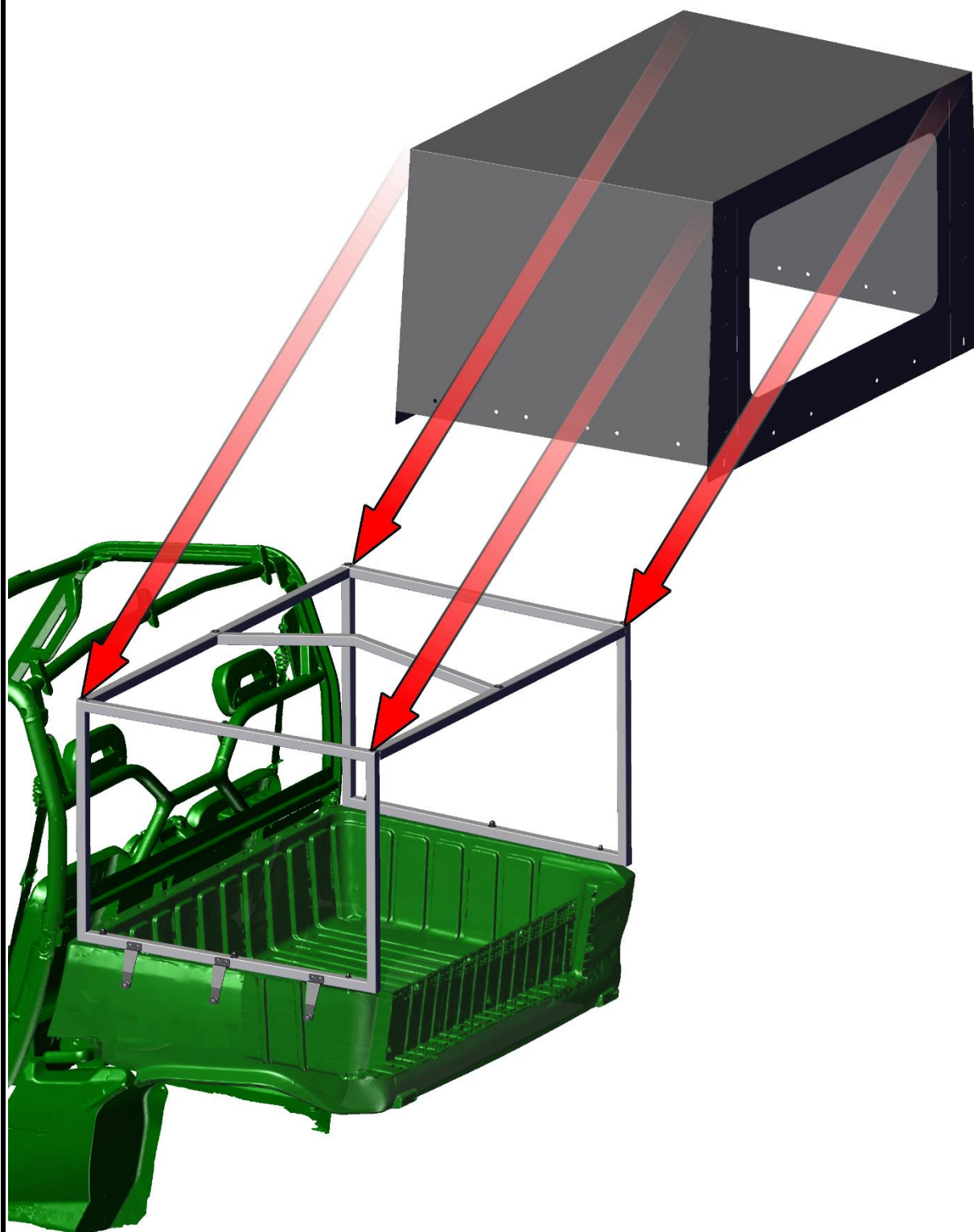
15

Adjust the frames to the best position and tighten screws hard.





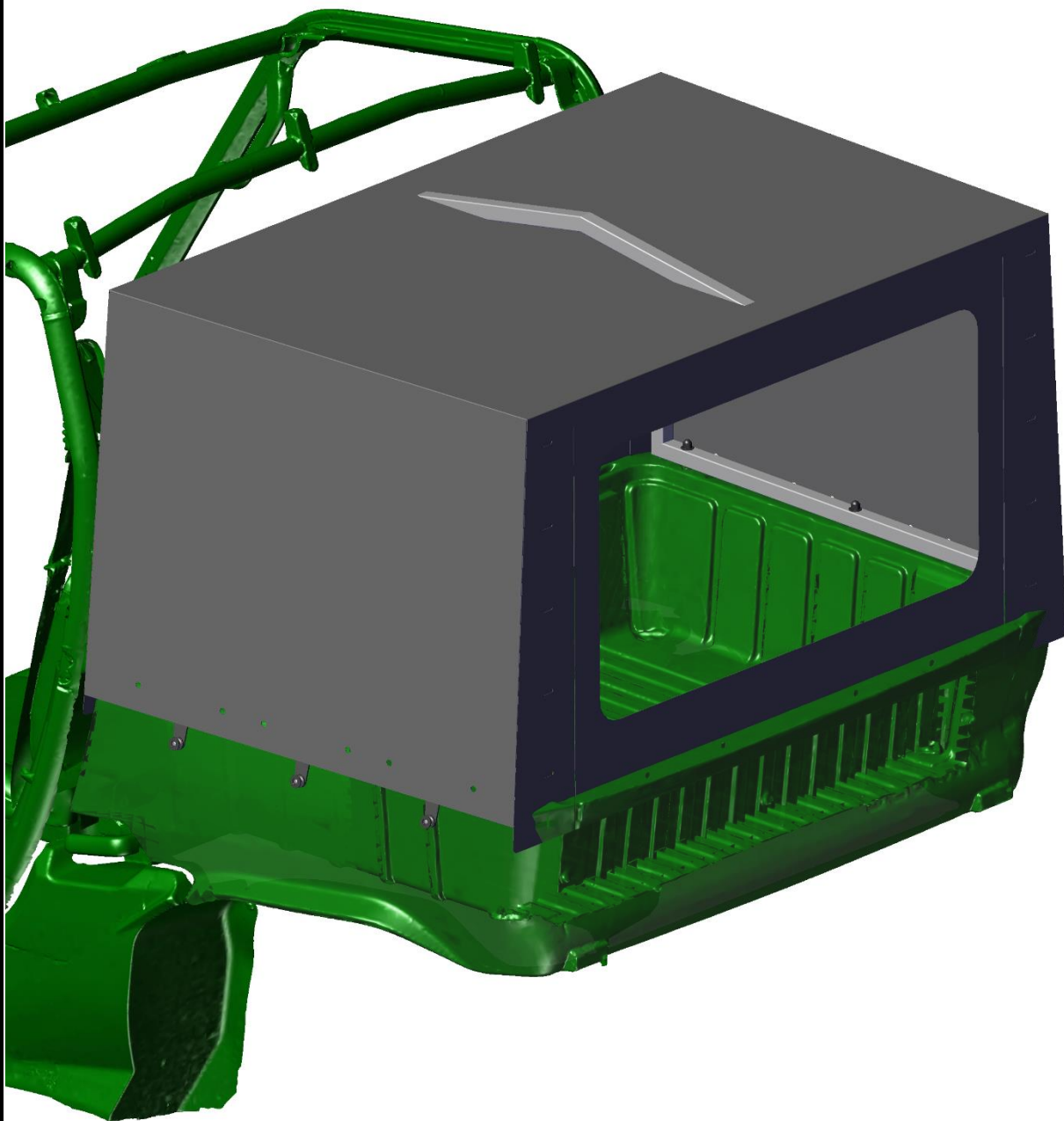
Place the cover onto the frame.



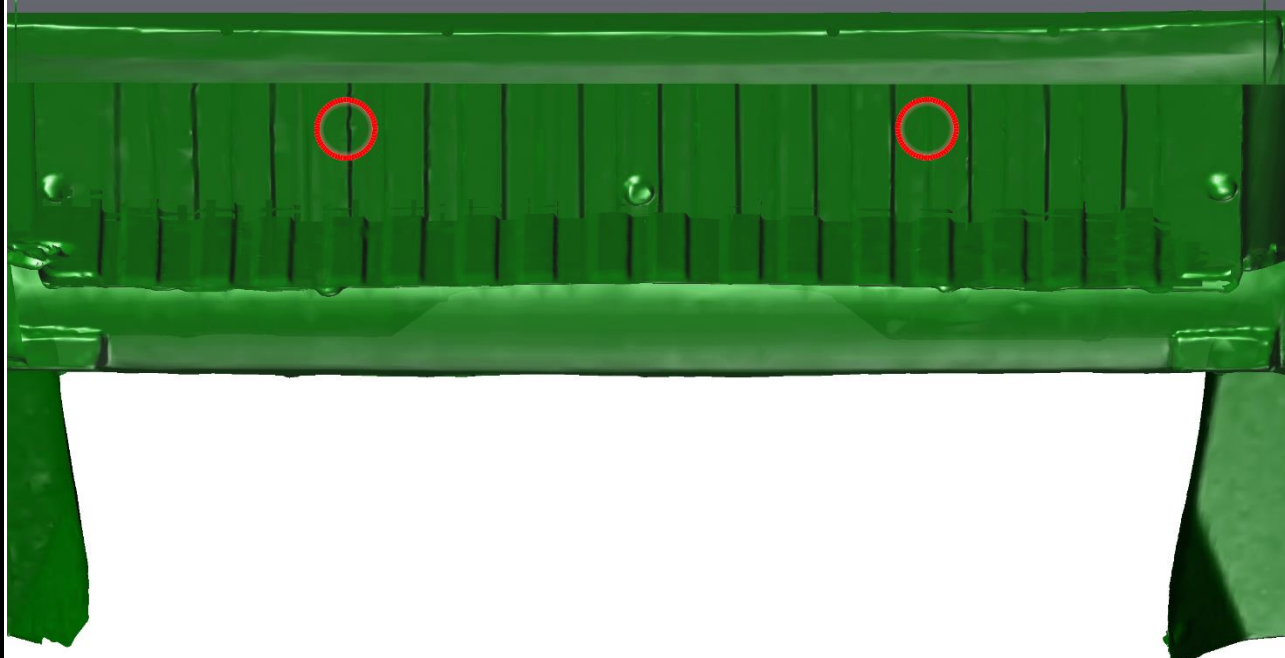
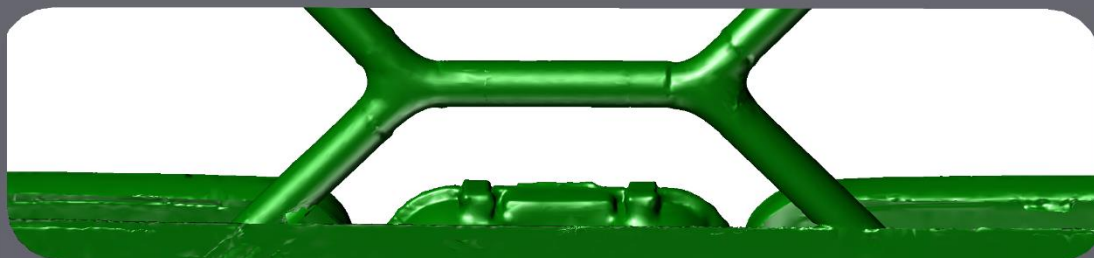
17

Adjust the cover to the best position.

18



Install the tensioners onto the cargo door (red marks).



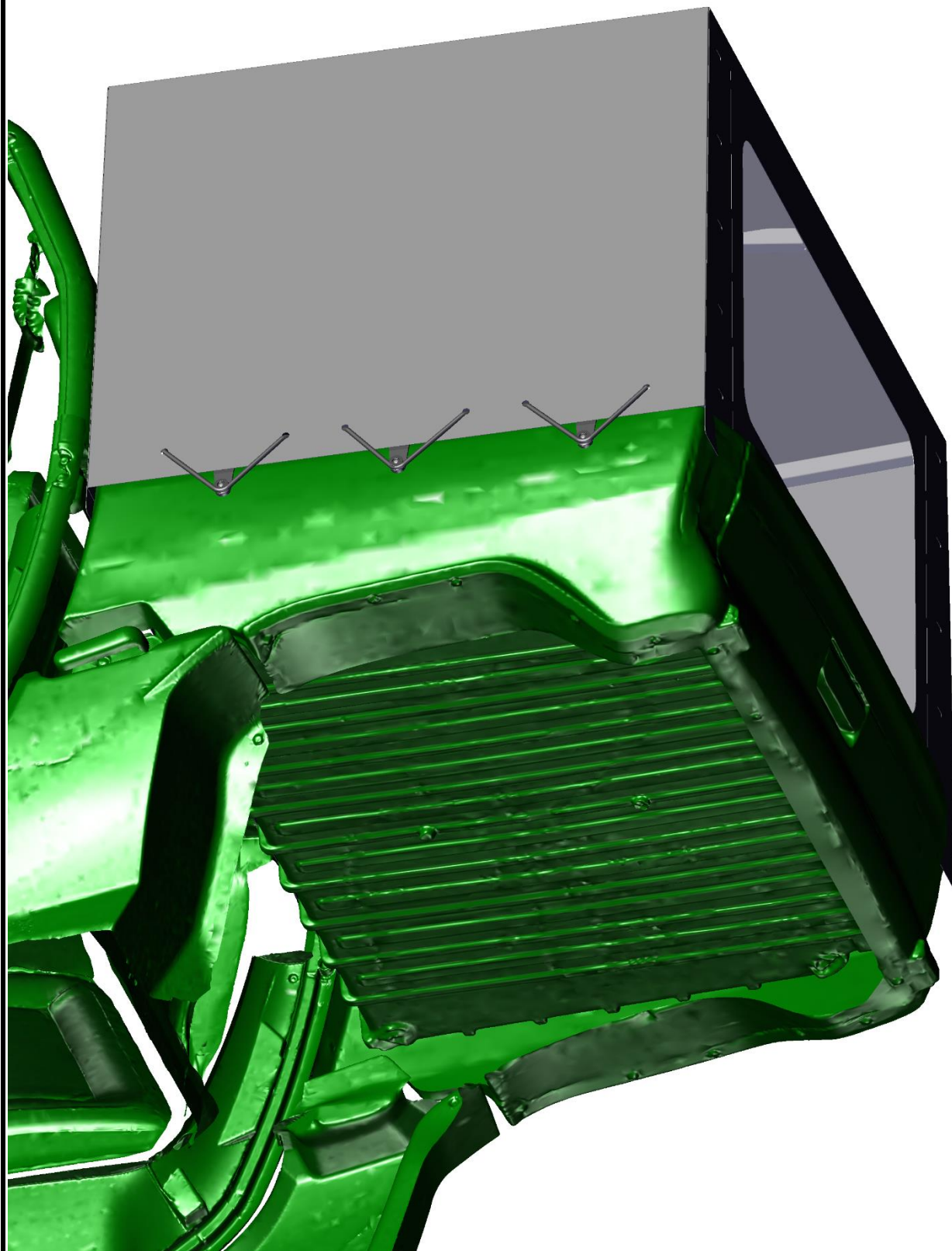
19

Secure the cover with the cargo by the included straps and installed tensioners.

VIEW ON INSTALLED TENSIONERS AND STRAPS



Install bottom cargo covers back to position.



21

# BOLT TORQUE

## BOLT TORQUE SPECIFICATIONS

### GENERAL TORQUE SPECIFICATION TABLE

Use the following torques when special torques are not given. These values apply to fasteners as received from suppliers, dry, or when lubricated with normal engine oil. They do not apply if special graphited or moly disulphide greases or other extreme pressure lubricants are used. This applies to both UNF and UNC threads. Remember to always use grade five or better when replacing bolts.

**IMPORTANT: On all PLATED GRADE 8 bolts, reduce torque 15% from listed bolt torque specification.**

SAE Grade No.		2				5				8*			
Bolt head identification mark as per grade. NOTE: Manufacturing Marks Will Vary													
Bolt Size		TORQUE				TORQUE				TORQUE			
		Pounds Feet		Newton-Meters		Pounds Feet		Newton-Meters		Pounds Feet		Newton-Meters	
Inches	Millimeters	Min.	Max.	Min.	Max.	Min.	Max.	Min.	Max.	Min.	Max.	Min.	Max.
1/4	6.35	5	6	7	8	9	11	12	15	12	15	16	20
5/16	7.94	10	12	14	16	17	20.5	23	28	24	29	33	39
3/8	9.53	20	23	27	31	35	42	48	57	45	54	61	73
7/16	11.11	30	35	41	47	54	64	73	87	70	84	95	114
1/2	12.70	45	52	61	70	80	96	109	130	110	132	149	179
9/16	14.29	65	75	88	102	110	132	149	179	160	192	217	260
5/8	15.88	95	105	129	142	150	180	203	244	220	264	298	358
3/4	19.05	150	185	203	251	270	324	366	439	380	456	515	618
7/8	22.23	160	200	217	271	400	480	542	651	600	720	814	976
1	25.40	250	300	339	406	580	696	787	944	900	1080	1220	1464
1-1/8	25.58	-	-	-	-	800	880	1085	1193	1280	1440	1736	1953
1-1/4	31.75	-	-	-	-	1120	1240	1519	1681	1820	2000	2468	2712
1-3/8	34.93	-	-	-	-	1460	1680	1980	2278	2380	2720	3227	3688
1-1/2	38.10	-	-	-	-	1940	2200	2631	2983	3160	3560	4285	4827

\*Thick Nuts must be used with Grade 8 bolts

### METRIC BOLT TORQUE SPECIFICATIONS

Size of Screw	Property Class	Course Thread			Fine Thread		
		Pitch (mm)	Pounds Feet	Newton-Meters	Pitch (mm)	Pounds Feet	Newton-Meters
M6	5.6	1.0	3.6-5.8	4.9-7.9	-	-	-
	8.8		5.8-9.4	7.9-12.7		-	-
	10.9		7.2-10	9.8-13.6		-	-
M8	5.6	1.25	7.2-14	9.8-19	1.0	12-17	16.3-23
	8.8		17-22	23-29.8		19-27	25.7-36.6
	10.9		20-26	27.1-35.2		22-31	29.8-42
M10	5.6	1.5	20-25	27.1-33.9	1.25	20-29	27.1-39.3
	8.8		34-40	46.1-54.2		35-47	47.4-63.7
	10.9		38-46	51.5-62.3		40-52	54.2-70.5
M12	5.6	1.75	28-34	37.9-46.1	1.25	31-41	42-55.6
	8.8		51-59	69.1-79.9		55-68	75.9-92.1
	10.9		57-66	77.2-89.4		62-75	84-101.6
M14	5.6	2.0	49-56	66.4-75.9	1.5	52-64	70.5-86.7
	8.8		81-93	109.8-126		90-106	122-143.6
	10.9		96-109	130.1-147.7		107-124	145-168
M16	5.6	2.0	67-77	90.8-104.3	1.5	69-83	93.6-112.5
	8.8		116-130	157.2-176.2		120-138	162.6-187
	10.9		129-145	174.8-196.5		140-158	189.7-214.1
M18	5.6	2.0	88-100	119.2-136	1.5	100-117	136-158.5
	8.8		150-168	203.3-227.6		177-199	239.8-269.6
	10.9		175-194	237.1-262.9		202-231	273.7-313
M20	5.6	2.5	108-130	146.3-176.2	1.5	132-150	178.9-203.3
	8.8		186-205	252-277.8		206-242	279.1-327.9
	10.9		213-249	288.6-337.4		246-289	333.3-391.6

DFK Cab, s.r.o.  
Za Olšávkou 391  
Uherské Hradiště 686 01  
Czech Republic

Tel: +420 572 520 061,3  
Fax: +420 572 520 071  
E-mail: [dfk@dfk.cz](mailto:dfk@dfk.cz)

[www.dfk.cz](http://www.dfk.cz)  
[www.dfk.cz/podpora-utv](http://www.dfk.cz/podpora-utv)  
password: 78a6xu6mj8G



## **Declaration of Conformity**



**DFK Cab, s.r.o.**

Za Olšávkou 391

686 01 Uherské Hradiště

Česká republika / Czech Republic