



*INSTALLATION INSTRUCTIONS*

**SEGWAY**  
**FUGLEMAN CREW**



## **SAFETY INSTRUCTIONS**

### ***READ PROPERLY COMPLETE ASSEMBLY INSTRUCTIONS BEFORE STARTING OF ASSEMBLY***

***Warning: Failure to heed all safety and operating instructions and warnings regarding use of this product can result in serious bodily injury.***

***Install all parts indicated in assembly instructions. Failure to fully assemble product before use could result in personal injury.***

***Assembly of product requires use of hand or power tools. If you are not experienced in using these types of tools, have product dealer do the install for you.***

***Some parts contain sharp edges, wear protective gloves if necessary. Always keep your assembly area clean, uncluttered and well lit.***

***Keep visitors and children a safe distance away from the assembly area. Visitors should wear the same safety equipment described under.***

***Never operate your UTV with the cab doors open. Failure to properly latch the doors before moving the vehicle could result in serious injury.***

***Dress for safety. DO NOT wear loose clothing, gloves, neckties or jewelry if using power tools to assemble this product. Insert all nut covers after you finish installation.***

***Never drive your UTV with the cab front window in open position.***

***Failure of improperly latched/locked front window before driving the vehicle could result in serious injury.***

## **MAINTENANCE AND CLEANING**

*To clean polycarbonate surface use soapy water solution or other subtle means.*

*Dirt and dust wash by gently water stream and swipe only with wet or damp means in the direction from top to bottom.*

*The recommended frequency of cleaning of polycarbonate part is about 1 time per month or according to the actual degree of pollution.*

*Do not use detergents that could scratch the surface plates (abrasives, harsh fabrics, etc.).*

*Do not use solvents or alkaline detergents or cleaners with ammonia (ammonium hydroxide).*

*Do not remove the impurities from the surface of the razor blades or other sharp items.*

*Do not clean cabin, when the polycarbonate plates are heated by the sun.*

*Do not use the squeegee. It could be scratched surface plates.*

*Do not clean the water current strength greater than 50 bar (WAP).*

*The manufacturer is not responsible for scratching the surface in case of failure to comply with the above instructions.*

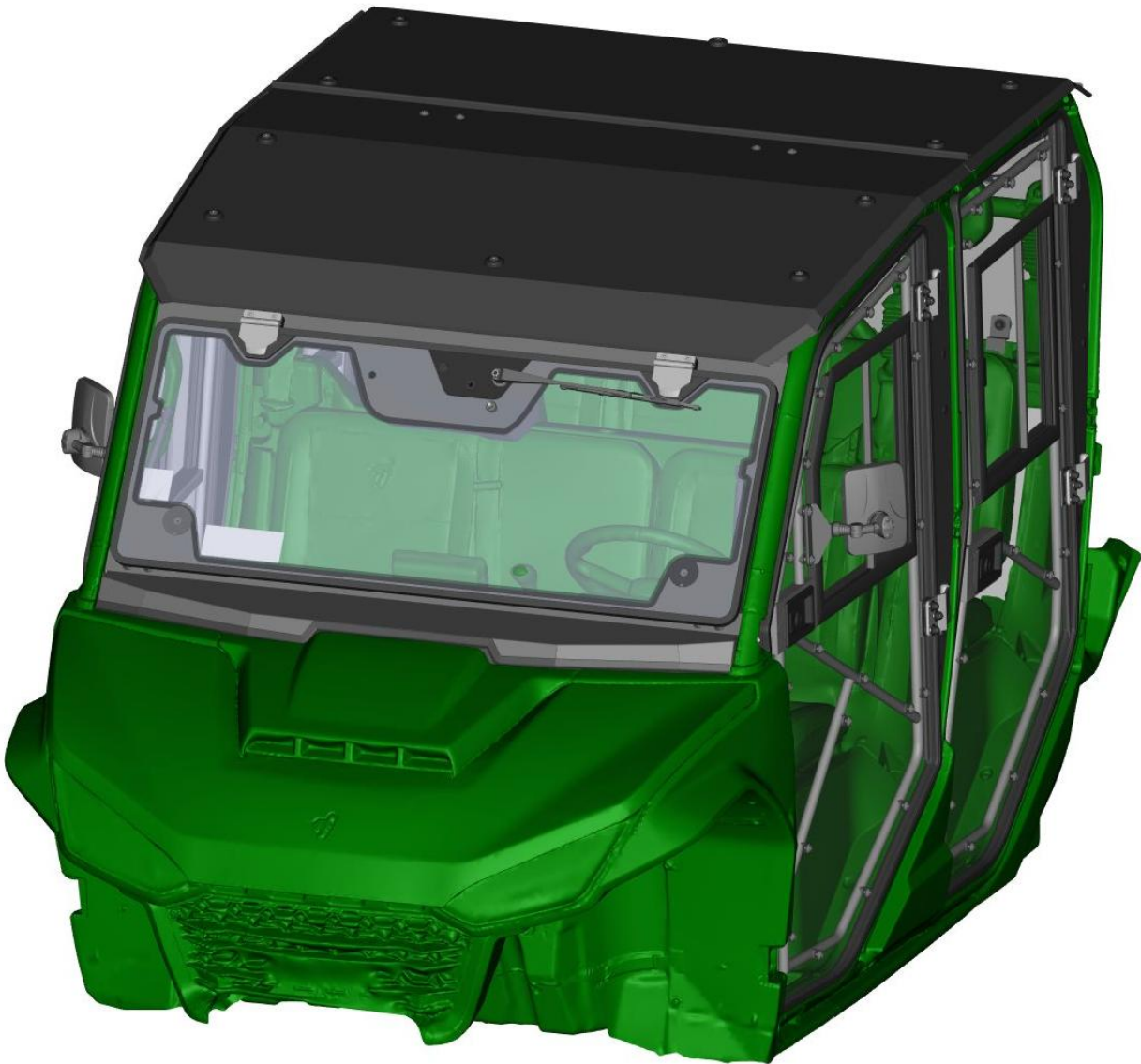
*All bolted connections of cab must be by user at regular intervals checked and tightened.*

*It is necessary to check the air filter of the heater regularly, depending on the dust environment in which the vehicle is operated.*

### **PREPARATION FOR INSTALLATION**

Uninstall all additional systems from the forklift frame (work lights, rear mirrors, drink holders etc.)

#### **CAB PREVIEW**



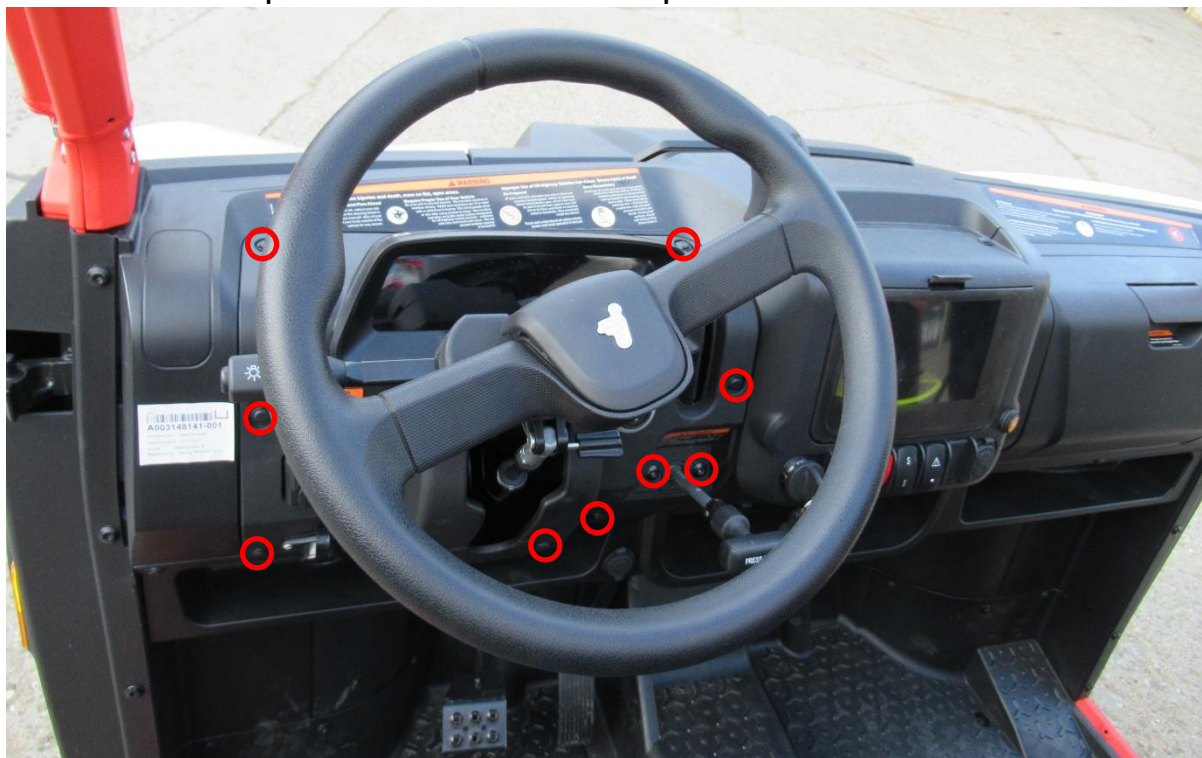
4

### SHIFT LEVER REPLACEMENT

In case the vehicle's gear lever could hit the windshield. Replace the original shift lever with the included shift lever. Loosen the secure nut on the shift lever and remove the gear lever knob.



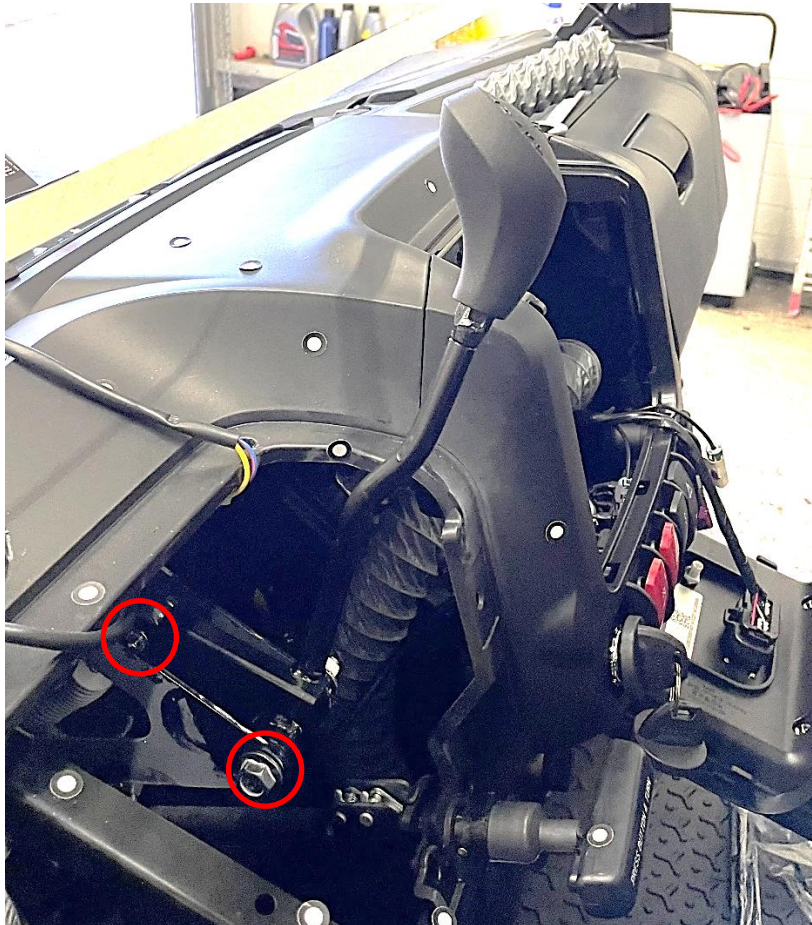
Uninstall the plastic cover with the speedometer and tachometer.



Remove the rivet nuts and screws from the plastic cover.

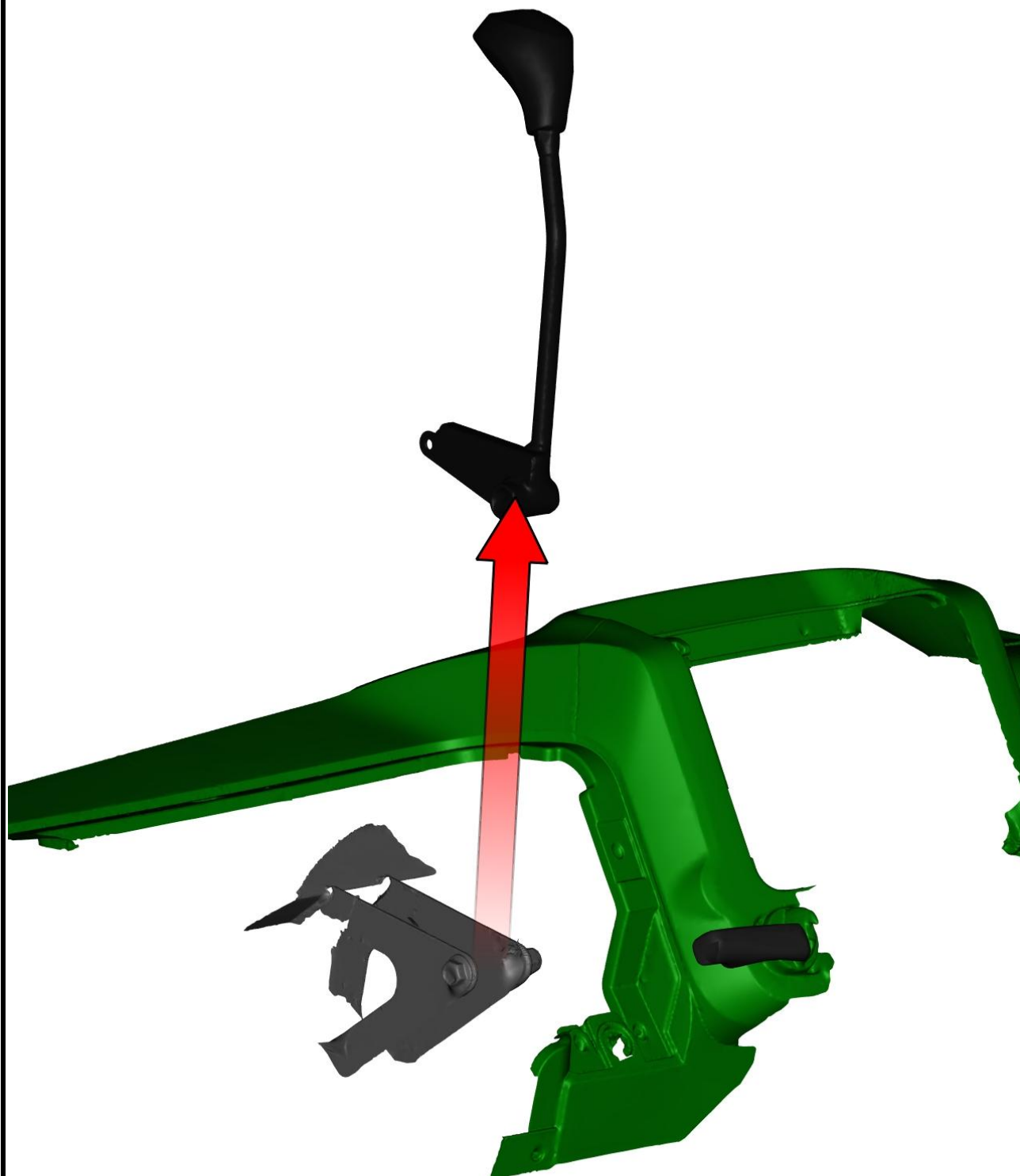


Remove the shift lever fixing screws.



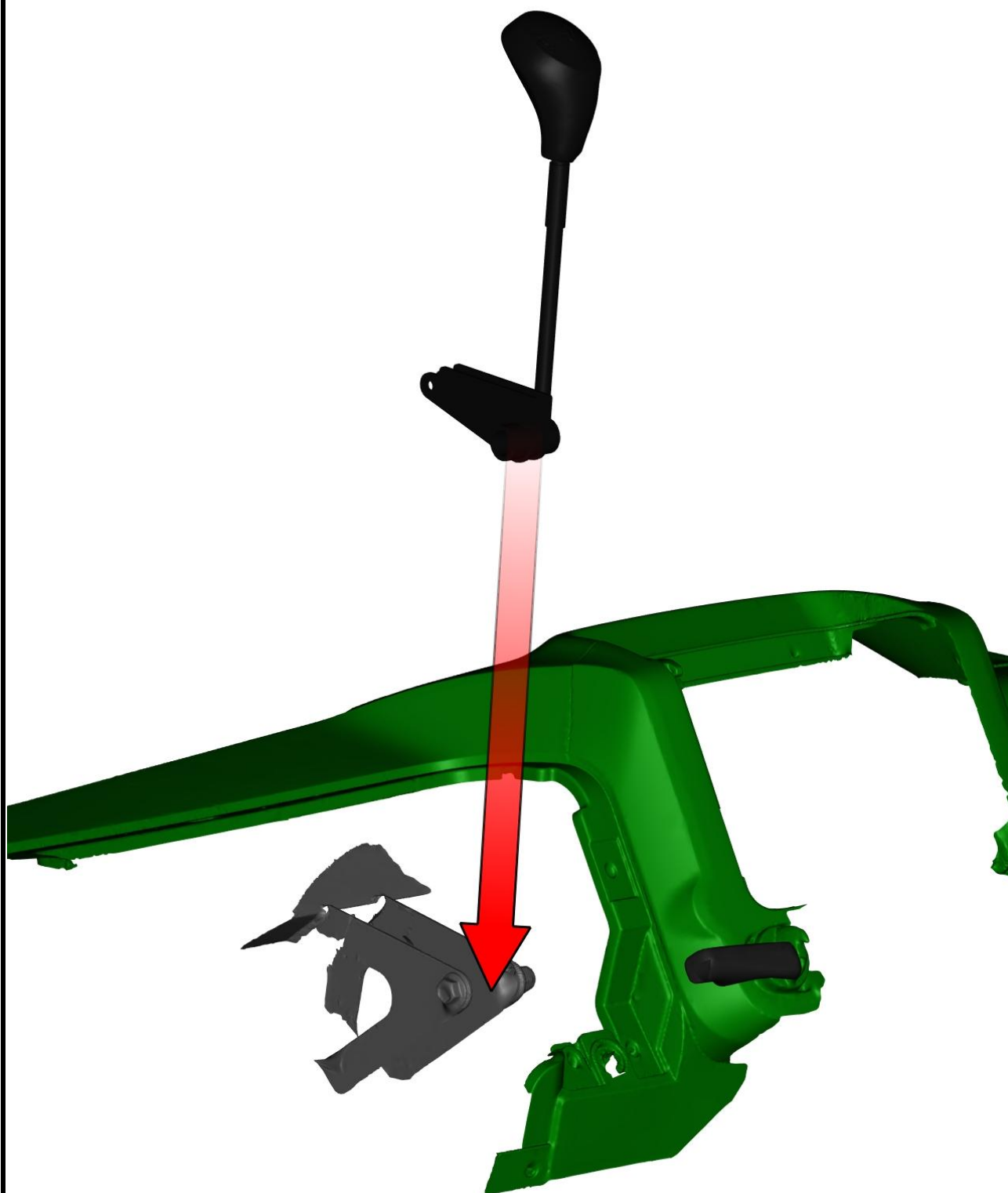
6

Remove the original shift lever from the vehicle.



7

Replace the original shift lever with the included shift lever.  
Fix the replaced shift lever with original fixing assemblies.



8



### ELECTROINSTALLATION 1.

Uninstall the original box from the dashboard.



Uninstall the floor tunnel cover from the vehicle.



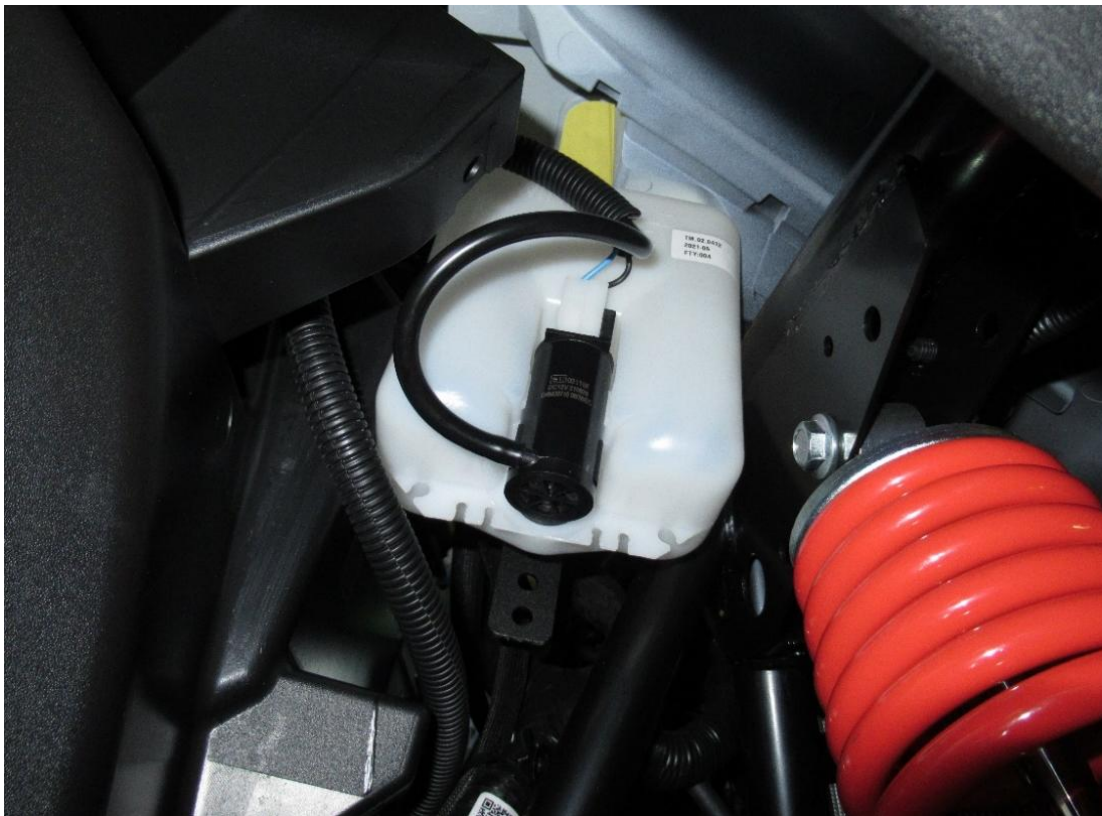
Uninstall the right seat from the vehicle.



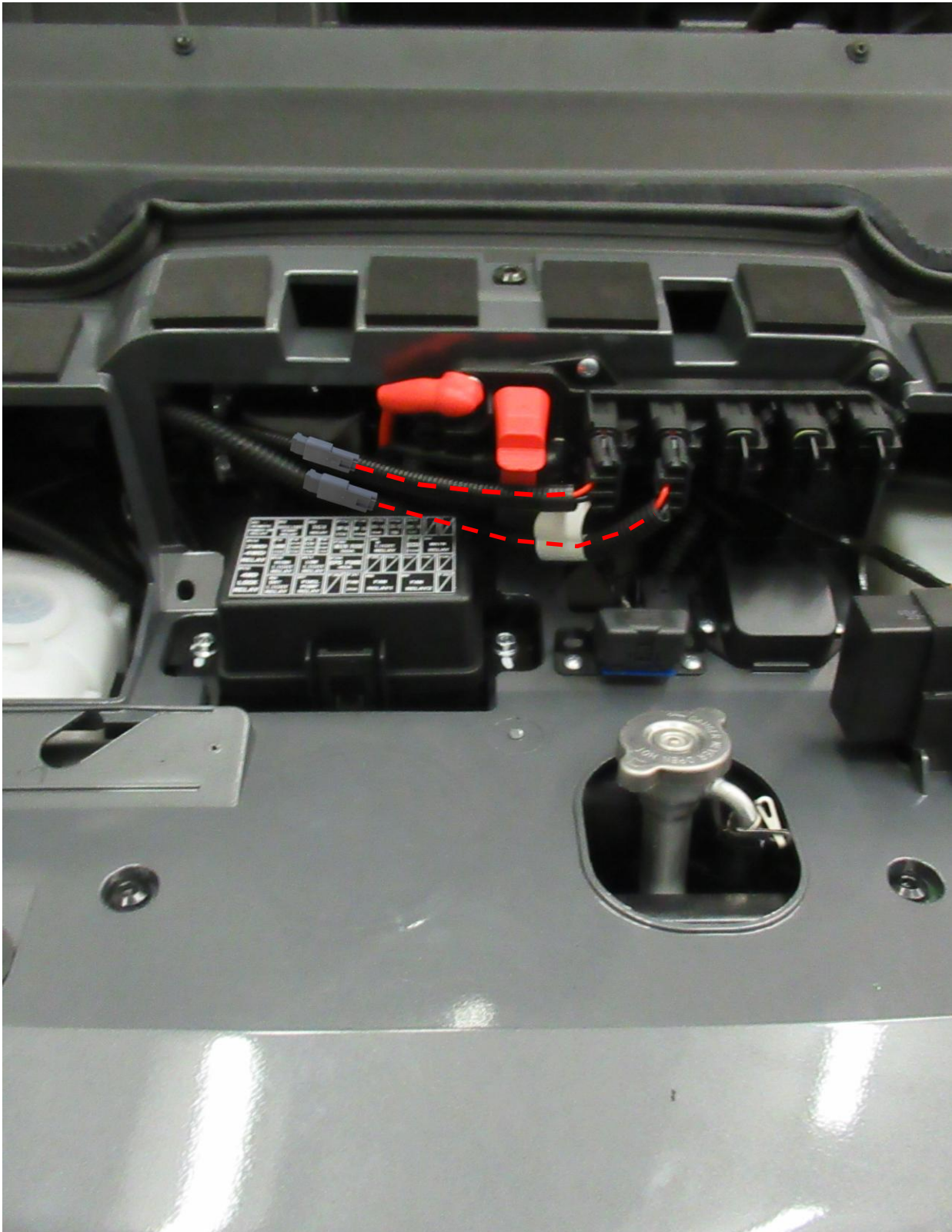
Install the washer tank holder onto the vehicle frame by original fixing point.



Connect the harness with the washer tank.



Run "WIPER/WASHER RELAY" and "HEATER RELAY" ending under the dashboard, connect DEUTCH-PULSE reductions and plug pulse ending to the pulse box.



Run the wiper harness from the dashboard to the right seat through the floor tunnel.



SEE NEXT PAGES

13

Run the wiper harness to the right rear vehicle frame.



Run the wiper harness around the vehicle frame. ( Harness marked by dashed line - - - - run under the plastic cover)

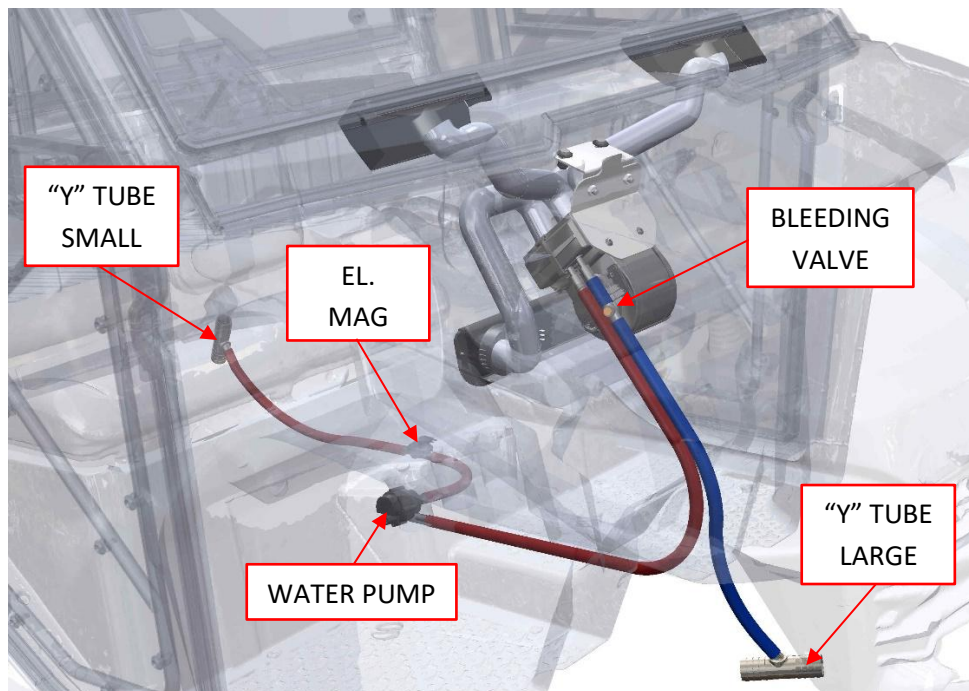


15

### HEATER 1.

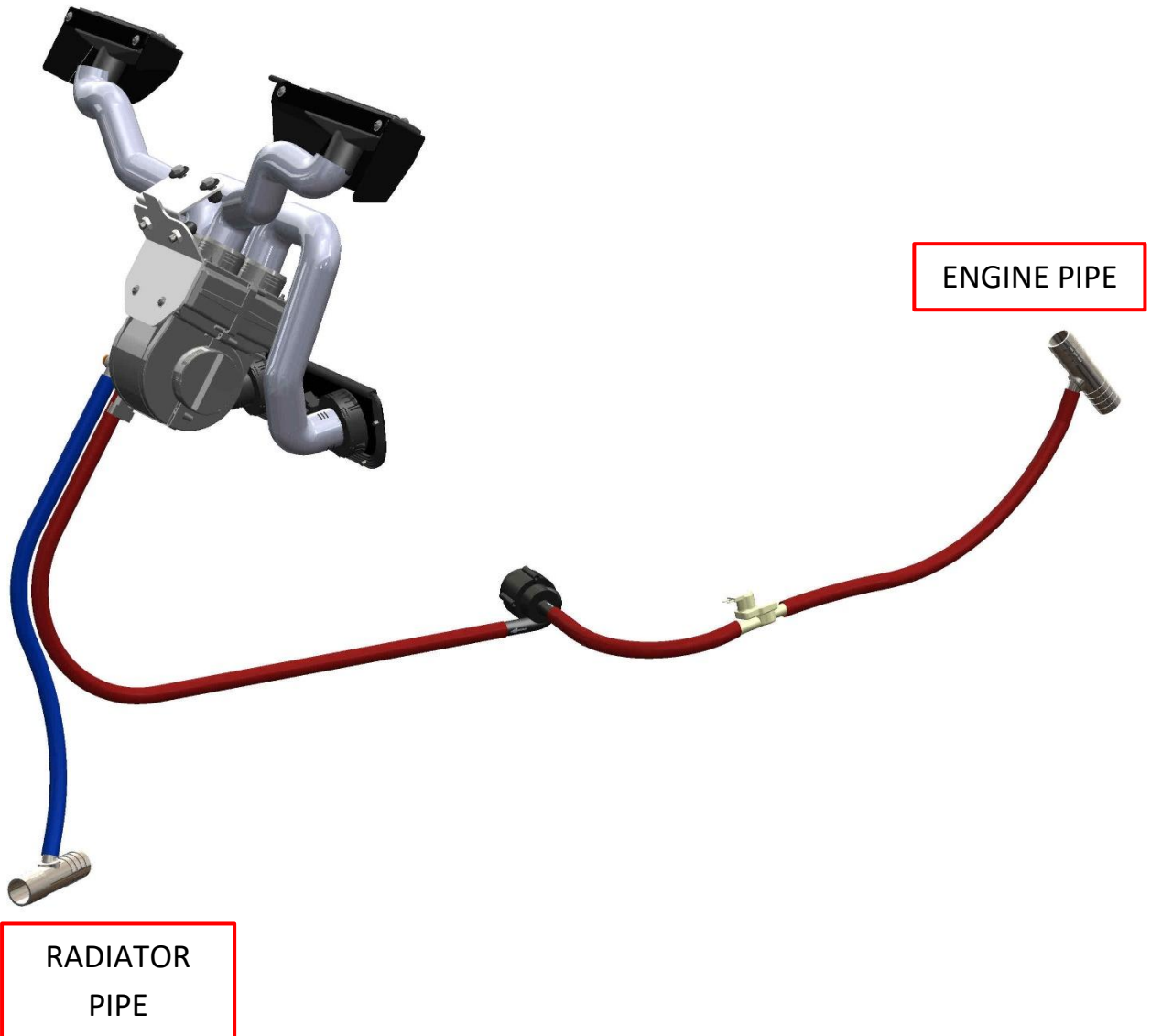
**WARNING: FOR SUCCESSFUL AND COMPLETE INSTALLATION OF THE DFK HEATER ASSEMBLY, IT IS NECESSARY TO MOUNT DFK TILT-OUT FRONT PANEL P/N 74S02U05S10, OR DFK FRONT PANEL P/N 74S02R05S10**

Heater components position on vehicle.

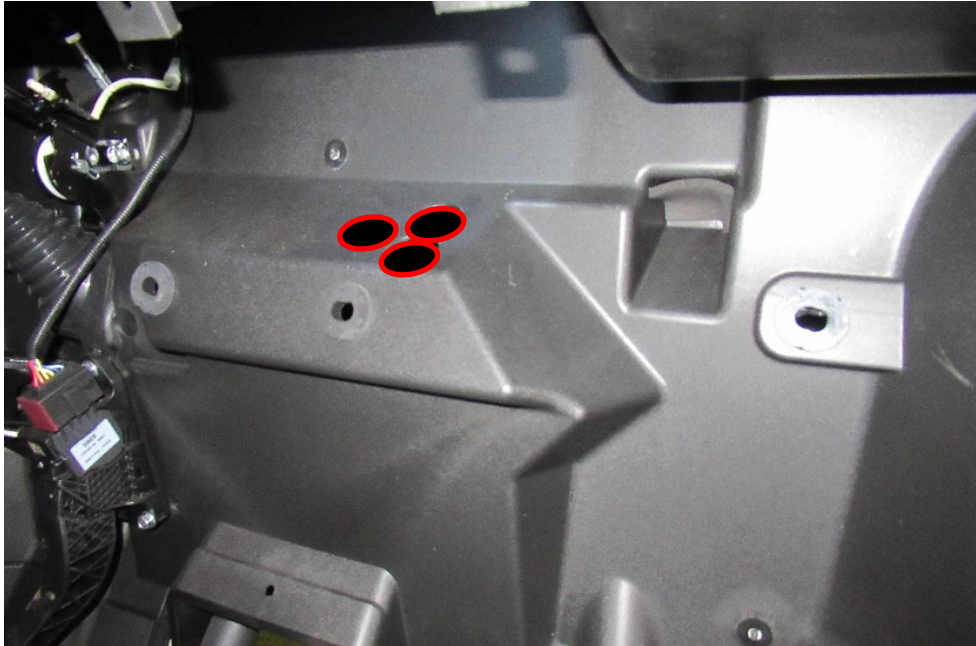




SCHEMATIC VIEW OF THE HEATING CONNECTION



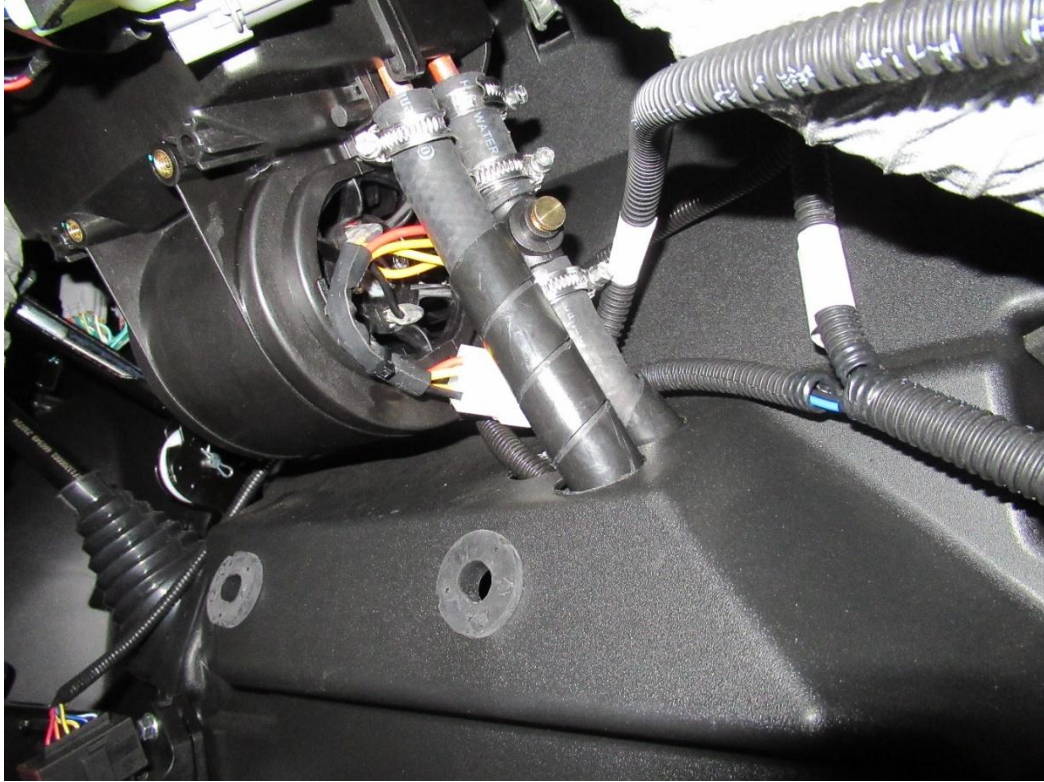
Drill 3 holes  $\varnothing$  25mm into the inner plastic wall.



Insert the tightening rings onto the heater hoses. Insert the heater hoses onto the heater tubes. Secure the hoses with the heater by the rings.



Cut the heater hose and insert tightening rings onto the hose.  
Insert air-bleeding valve into the heater hose.  
Secure the valve with the hose by tightening rings from previous step.



SEE NEXT PAGES

19

Insert the heater hoses into the drilled holes.



Insert the heater harness into the inner dashboard space.

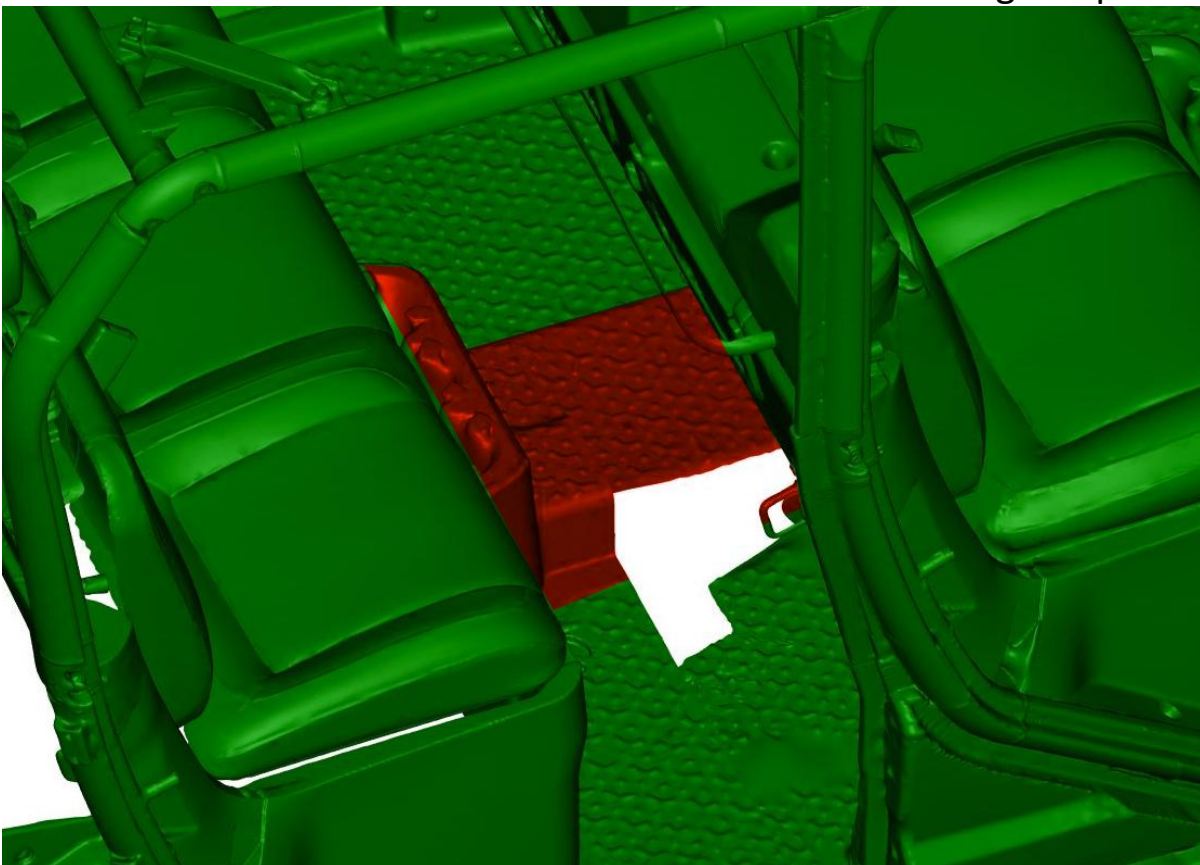


21

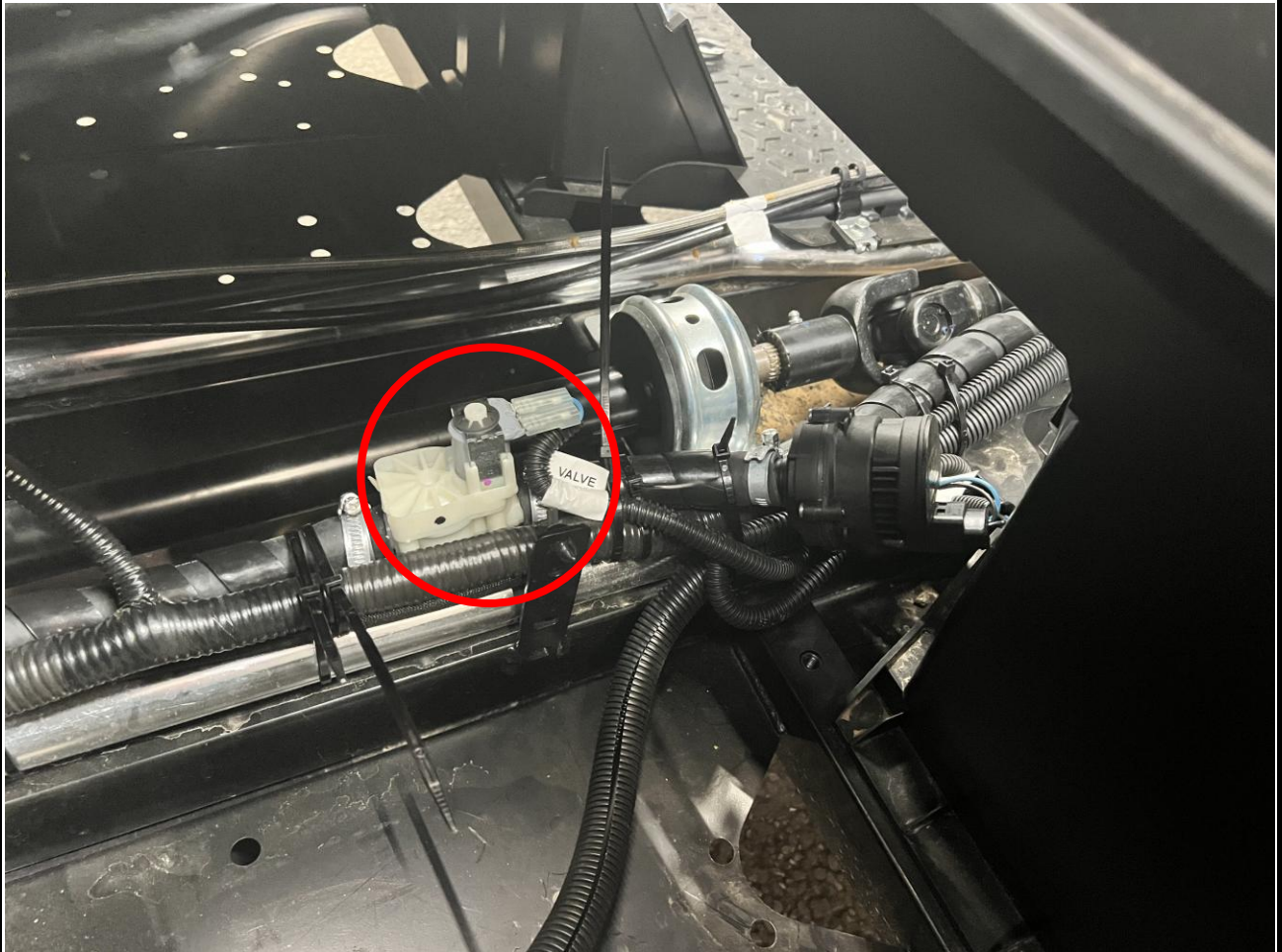
Run the heater hose through the floor tunnel to the back seats



Remove tunnel under backseats and run hoses to the engine space.



Install the el. valve and the water pump into the heater hose.  
Run the heater harness to the el. valve. Connect the heater harness with  
the el. valve and with the water pump.



23

Connect the heater harness with the heater.

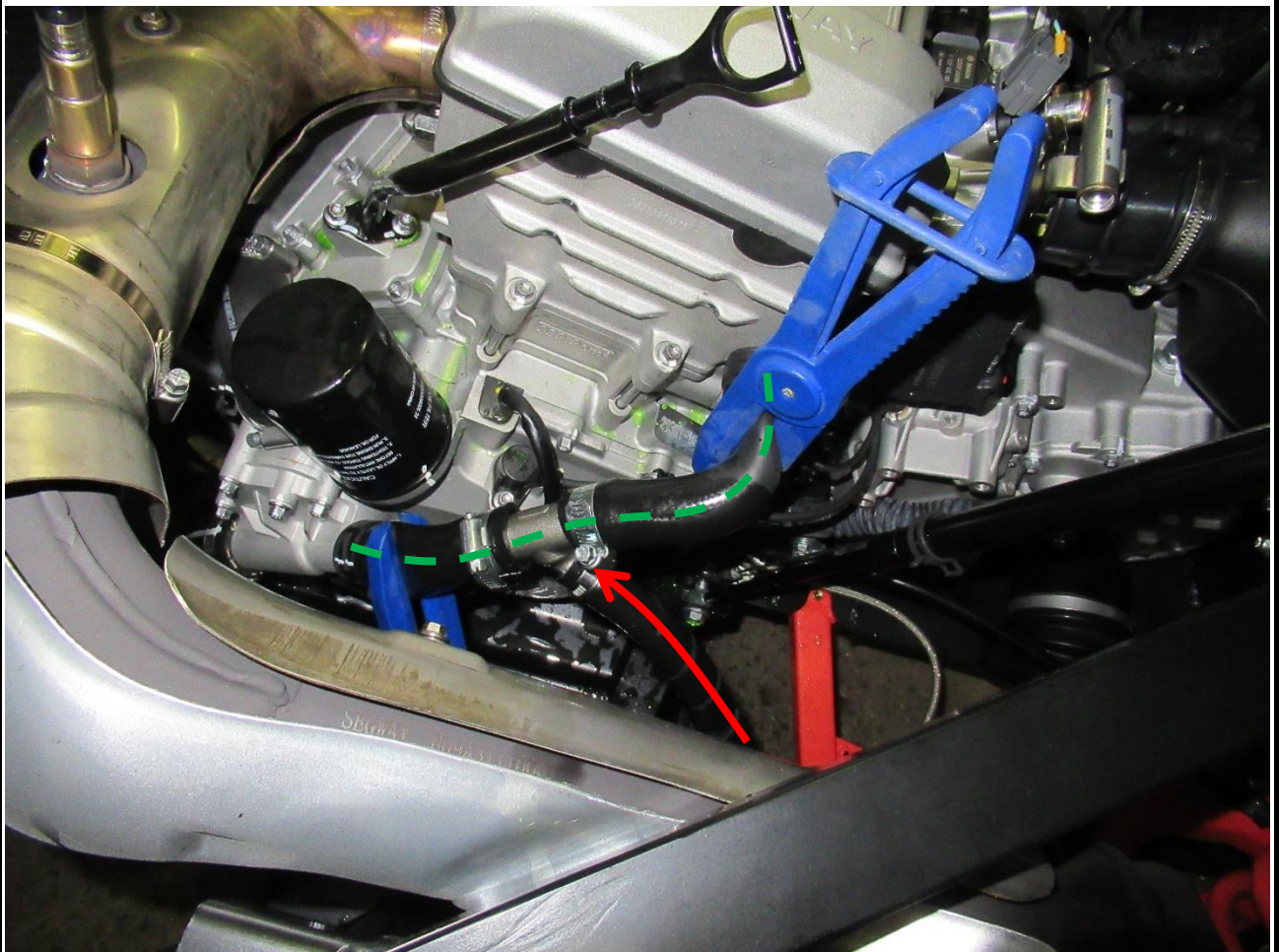




**CAUTION**

**DO NOT MANIPULATE WITH ENGINE OR WITH ENGINE COOLING SYSTEM IF THAT PARTS OF MACHINE IS HOT! WHEN ENGINE IS HOT, ANY MANIPULATION CAN RESULT IN SERIOUS BODY INJURY!**

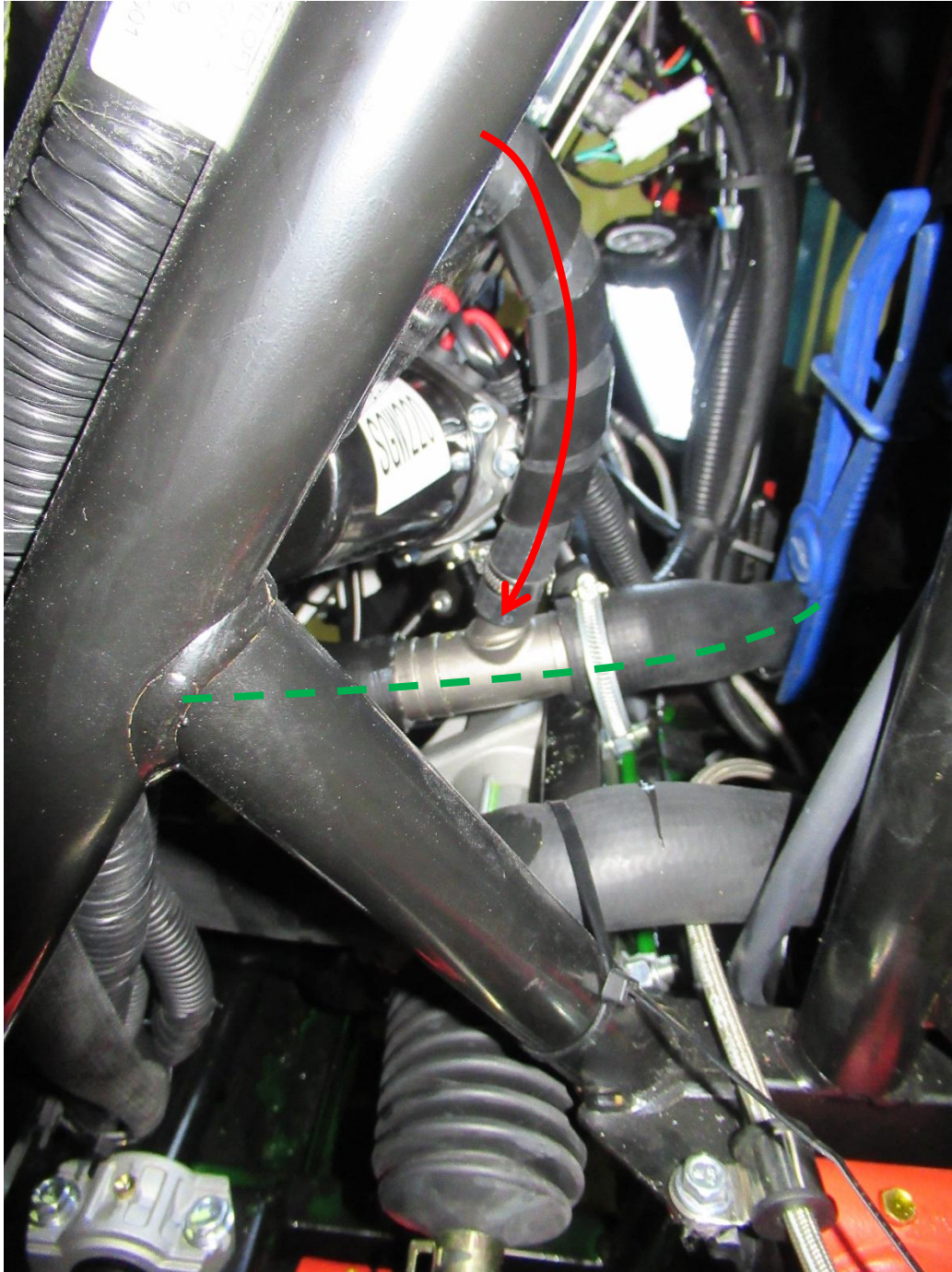
Insert tightening ring onto the heater hose. Insert the “Y” tube into the heater hose (**red mark**). Secure the original engine cooling hose (**green mark**) by clamps or pliers (not included). Cut the cooling hose and insert tightening ring onto the hose. Insert the “Y” tube into the cooling hose. Secure tube with the hoses by tightening rings.



25

Run the heater hose from the heater to the front right wheel space.

Insert tightening ring onto the heater hose. Insert the “Y” tube into the heater hose (**red mark**). Secure the original engine cooling hose (**green mark**) by clamps or pliers (not included). Cut the cooling hose and insert tightening ring onto the hose. Insert the “Y” tube into the cooling hose. Secure tube with the hoses by tightening rings.



26

Install the heater with the holder onto the vehicle frame.



Push the air hoses into the inner dashboard space.



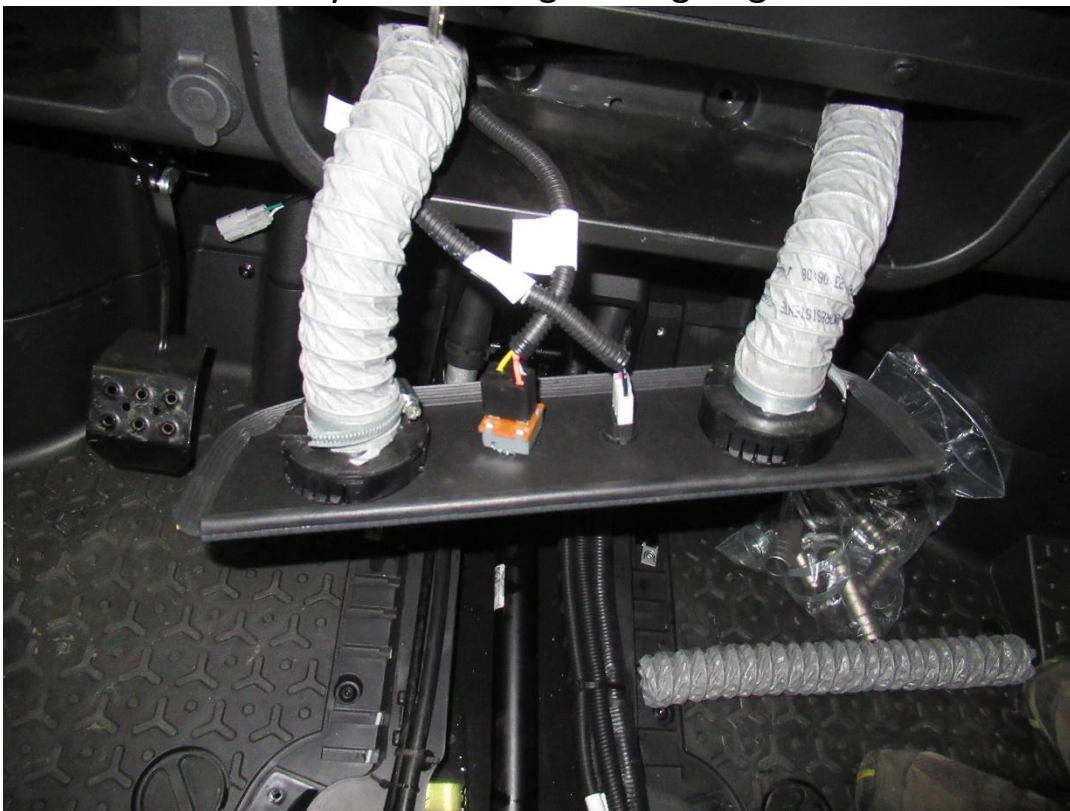
Drill 2 holes  $\varnothing 55\text{mm}$  into the dashboard plastic wall. Run the air hoses through the drilled holes.



Connect the heater harness with the switches on the cover.



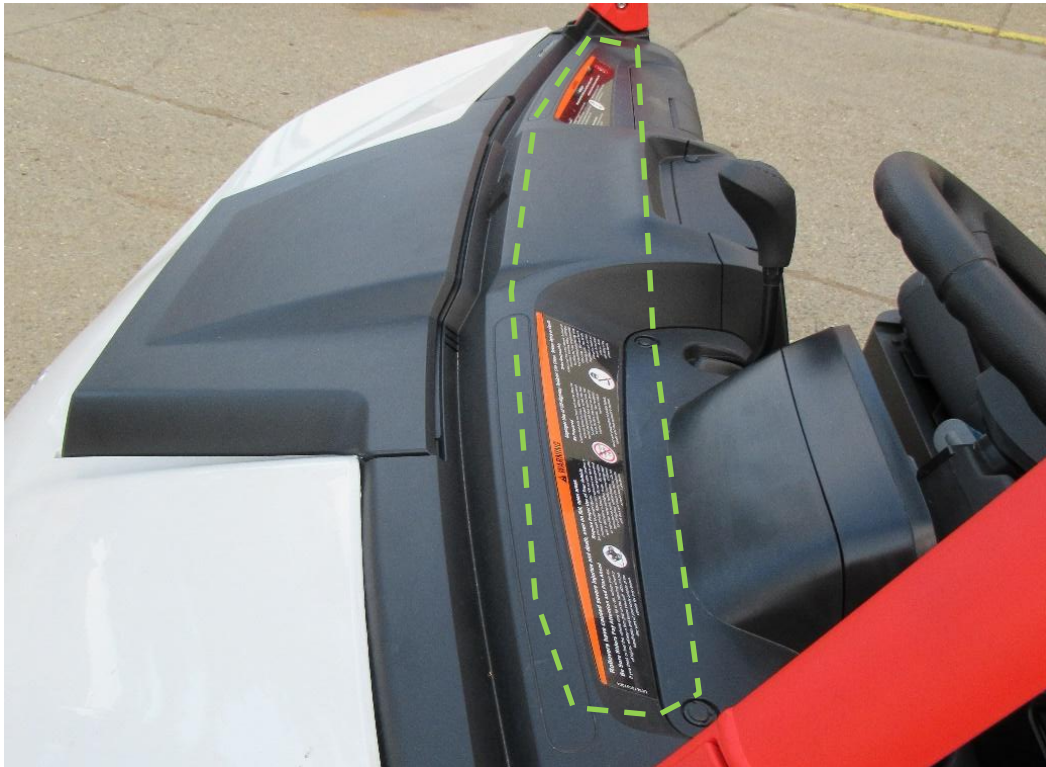
Install the air hoses onto the air vent and secure the hose with the vent by included tightening ring.



Place the cover onto the dashboard and fix the cover by included screws.



Take out the original warning sticks from the dashboard.



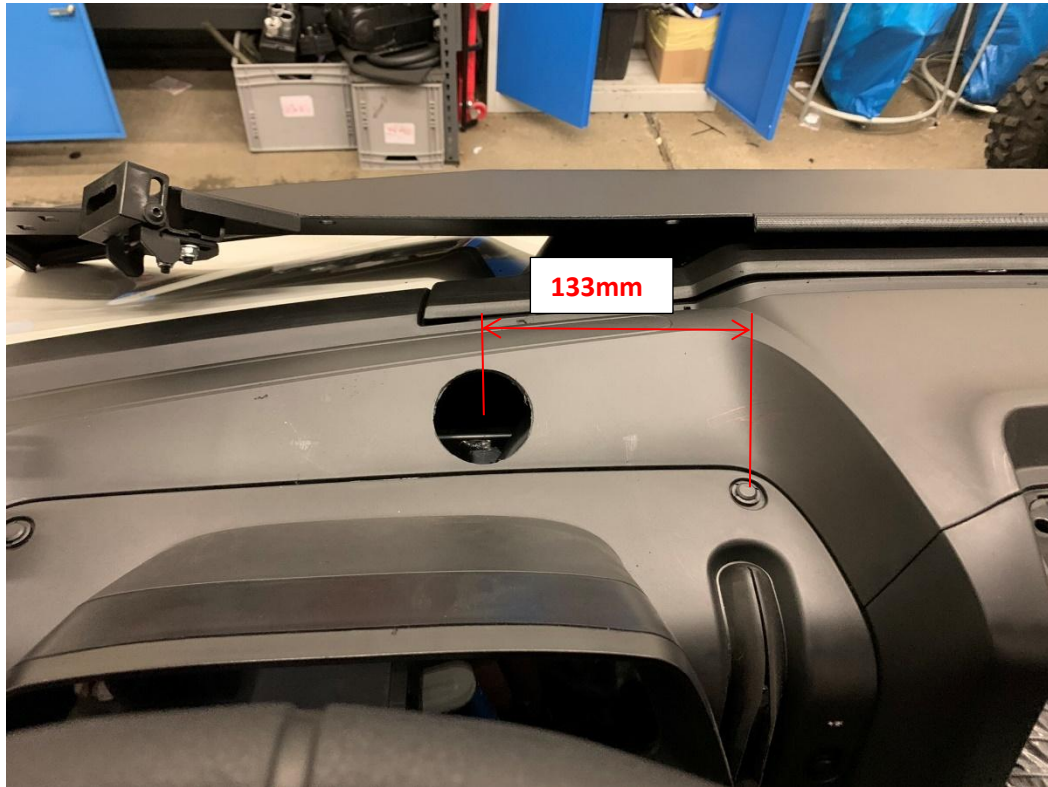
30

Install the original warning sticks onto the DFK front upper ledge.  
(View on installed front upper ledge)

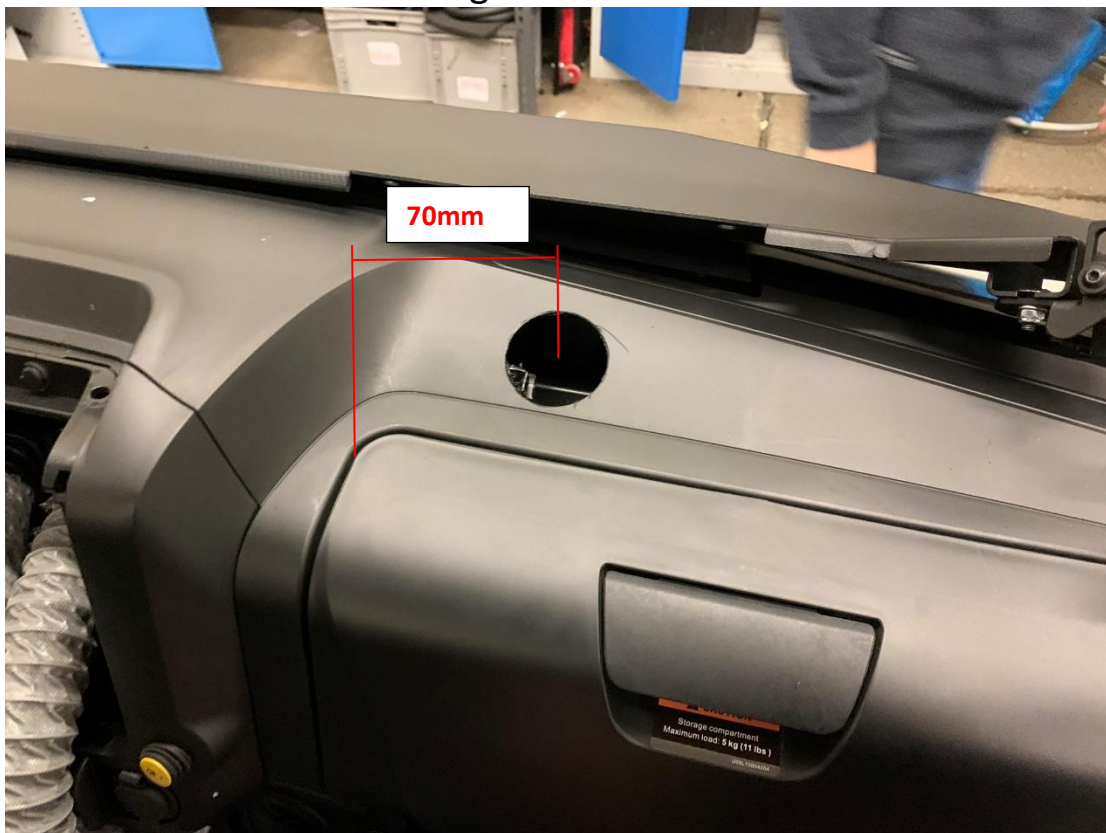


SEE NEXT PAGE

Drill 2 holes  $\varnothing 55\text{mm}$  into the dashboard upper cover.



View onto the right side of the dashboard.



31

Run the air hose through the hole. Install the hose onto the air vent assembly.

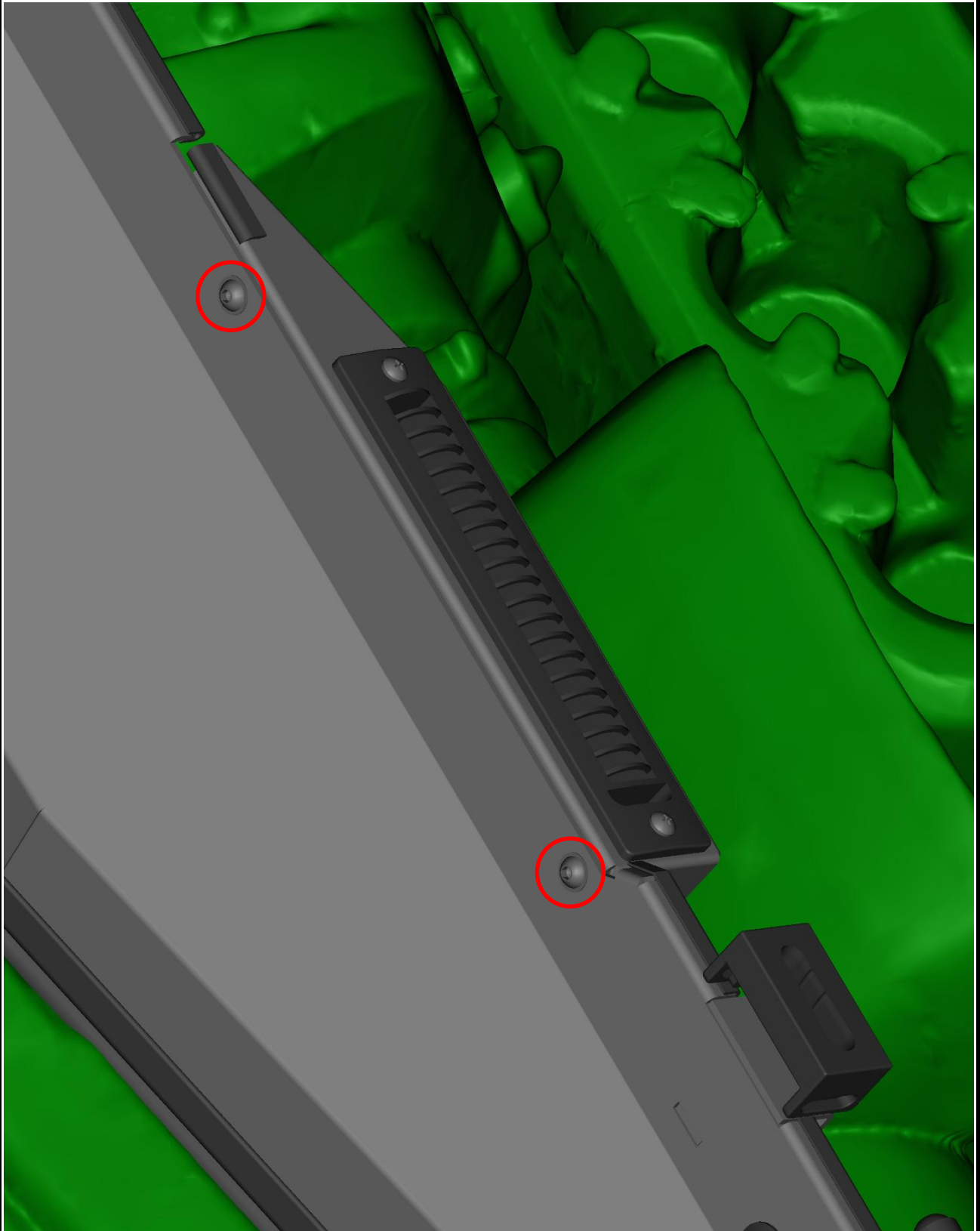


View onto the right side of the dashboard.





FOR NEXT STEPS IT IS NECESSARY FRONT BOTTOM LEDGE  
Fix the heater air vent cover with the front ledge by included fixing kit.



33

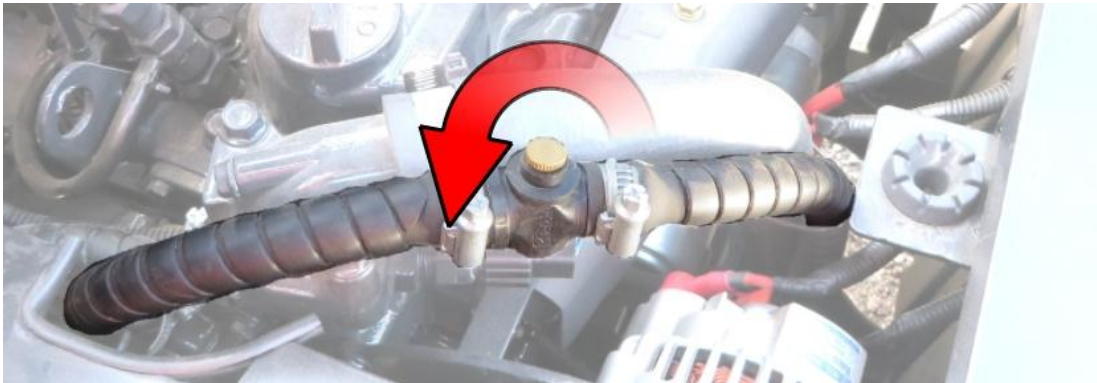
## INNER SIDE VIEW



34

### BLEEDING INSTRUCTIONS

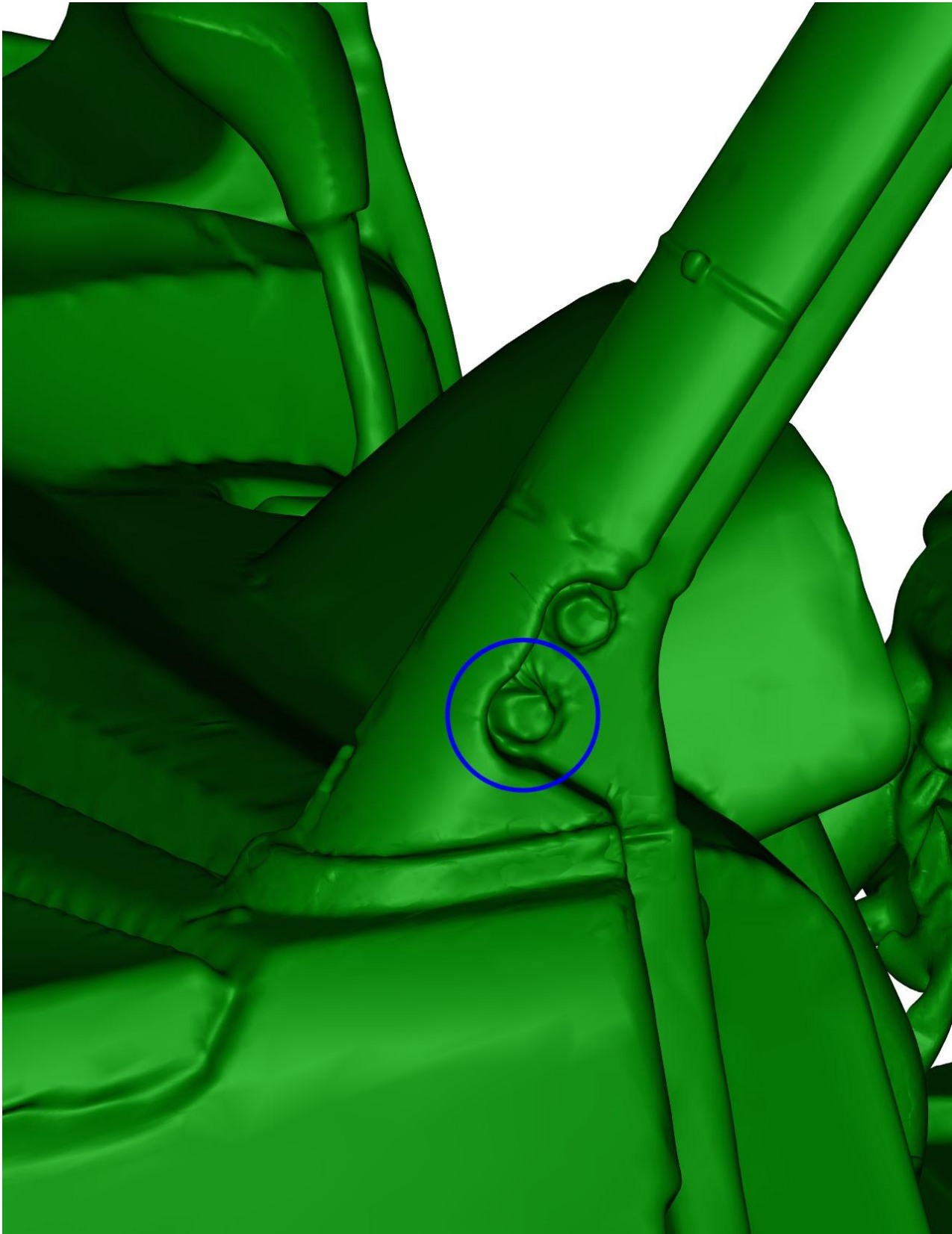
- After installing the heater circuit, open the radiator and coolant reservoir of the vehicle and add coolant to both the coolant reservoir and radiator level is up to the MAX line.
- Install coolant reservoir and radiator caps.
- Activate heater fan, turn on the electromagnetic valve and put the heating level to maximum.
- Run engine at idle with coolant reservoir cap ON until the cooling fan cycles two times.
- If a DFK bleeding valve is included in the heater assembly, open it at nominal RPM until a continuous stream of fluid flows out of it.



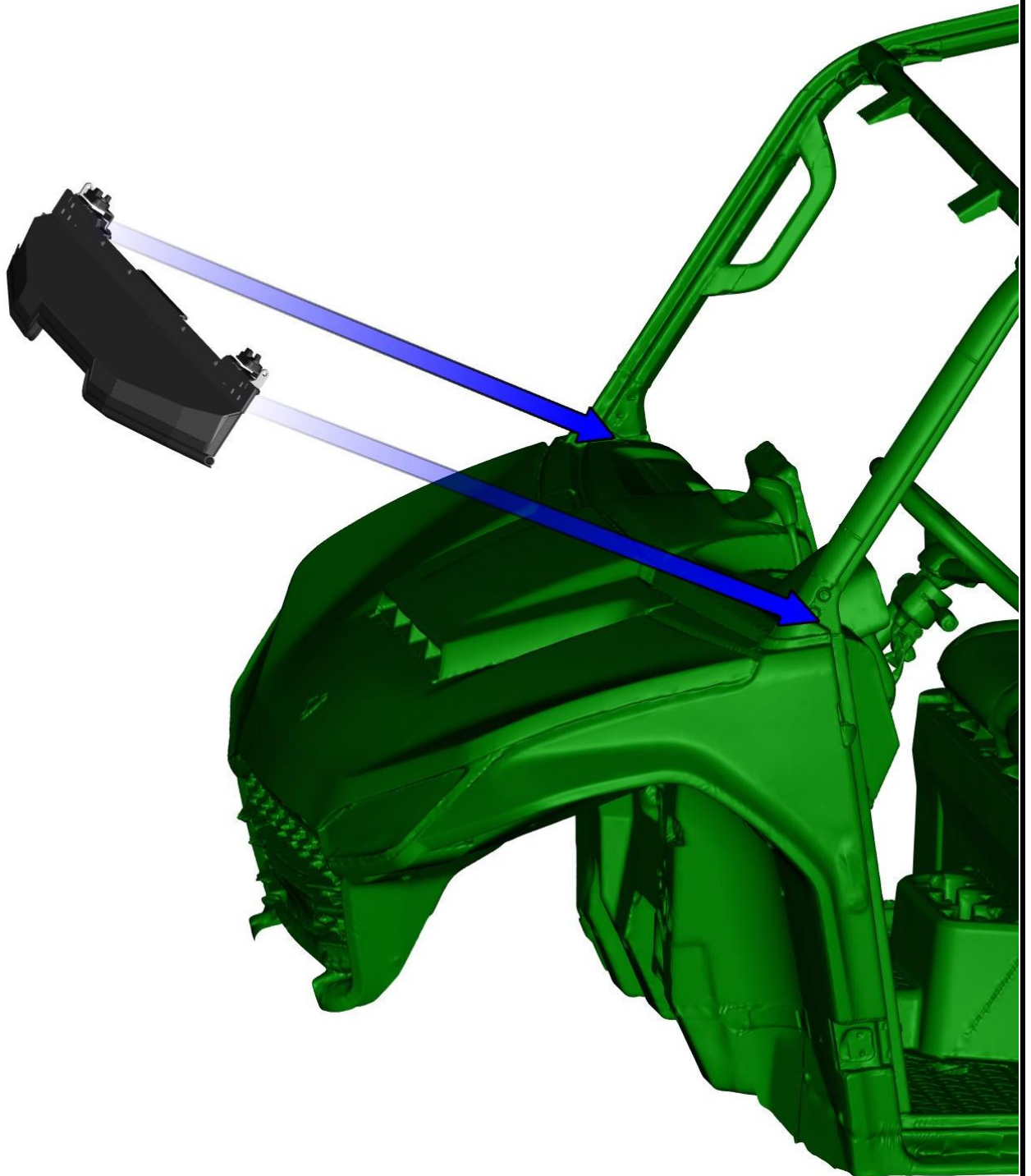
- Bleed even after the engine has warmed up to operating engine temperature and repeat several times until full flow, without air bubbles, escapes from the bleed plug holes.
- Check for heat coming out of the heater unit.
- Turn the ignition switch off and allow the engine to cool down.
- After the engine cools down check the coolant level in the radiator reserve tank.
- Close all coolant containers and bleeding valve before driving.
- After the test drive, check the coolant level in the radiator reserve tank and add coolant as necessary.
- Check for leaks in the entire heating circuit. Leaks can cause additional aeration.

**FRONT PANEL**

Loosen the screw on the side of UTV rops frame on both sides.



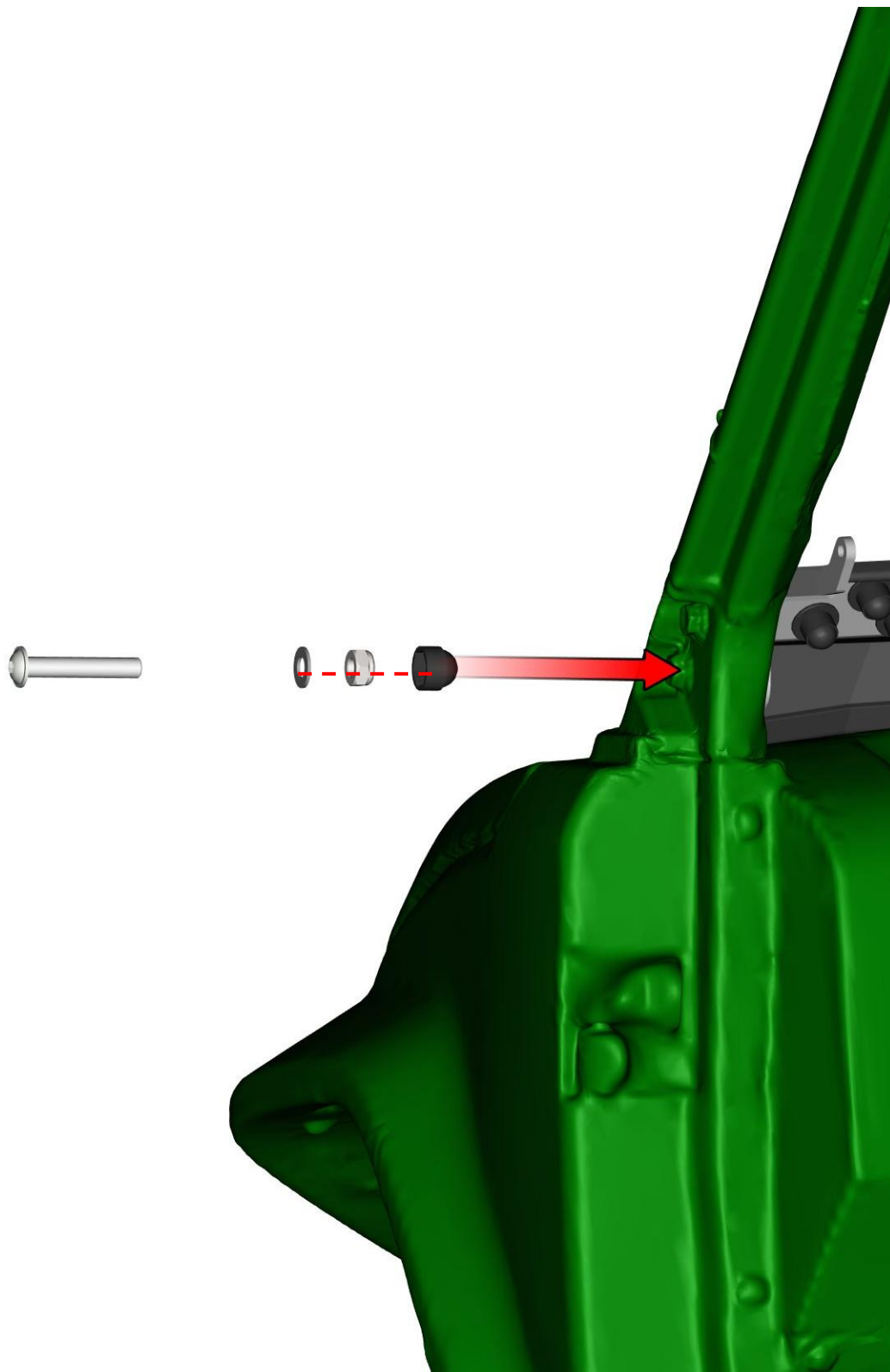
Place front bottom ledge in accordance with the removed screw.



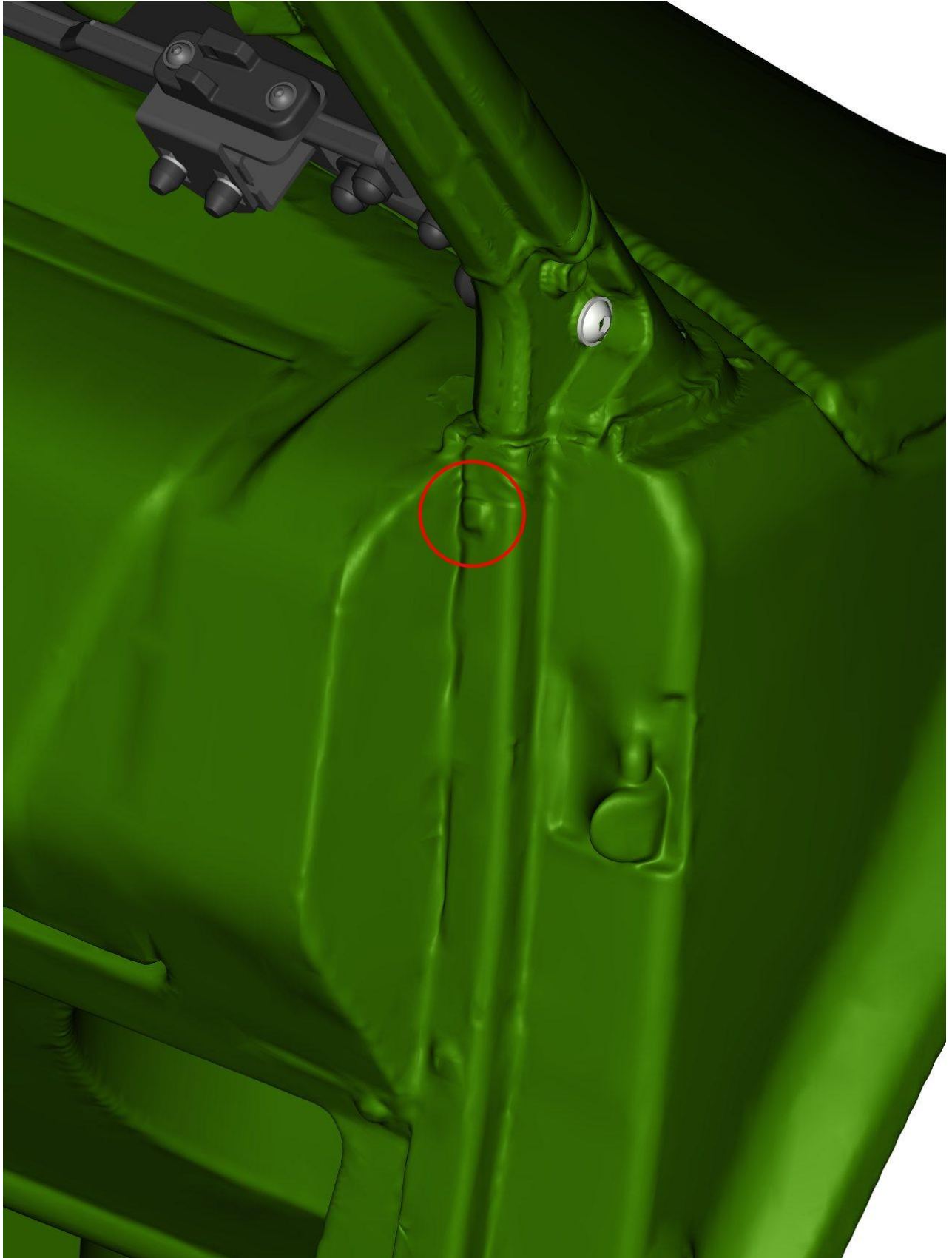
37

Fix front bottom ledge with included fixing kit where the original screw was removed on both sides.

38

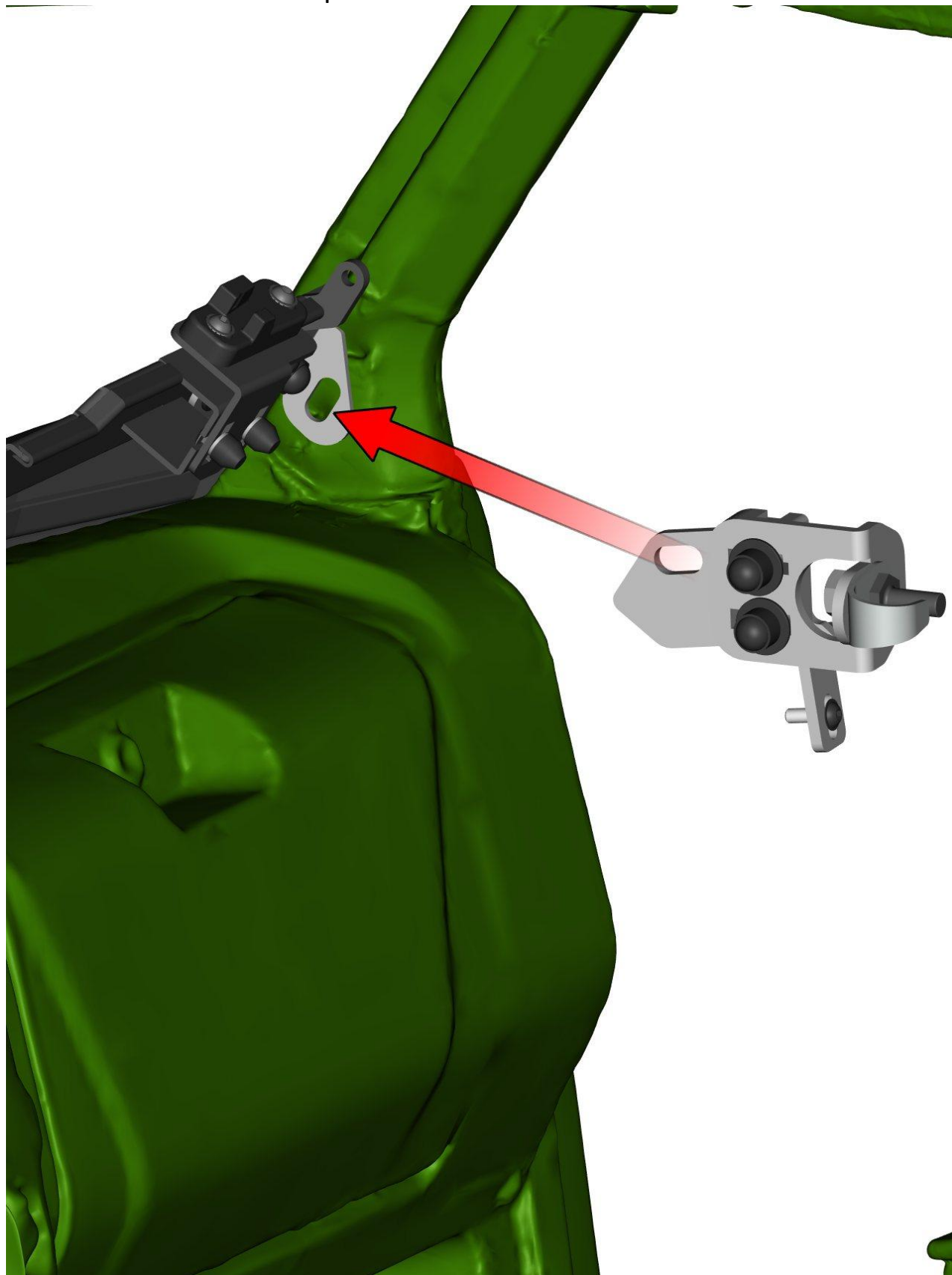


Uninstall original screw from the vehicle body.



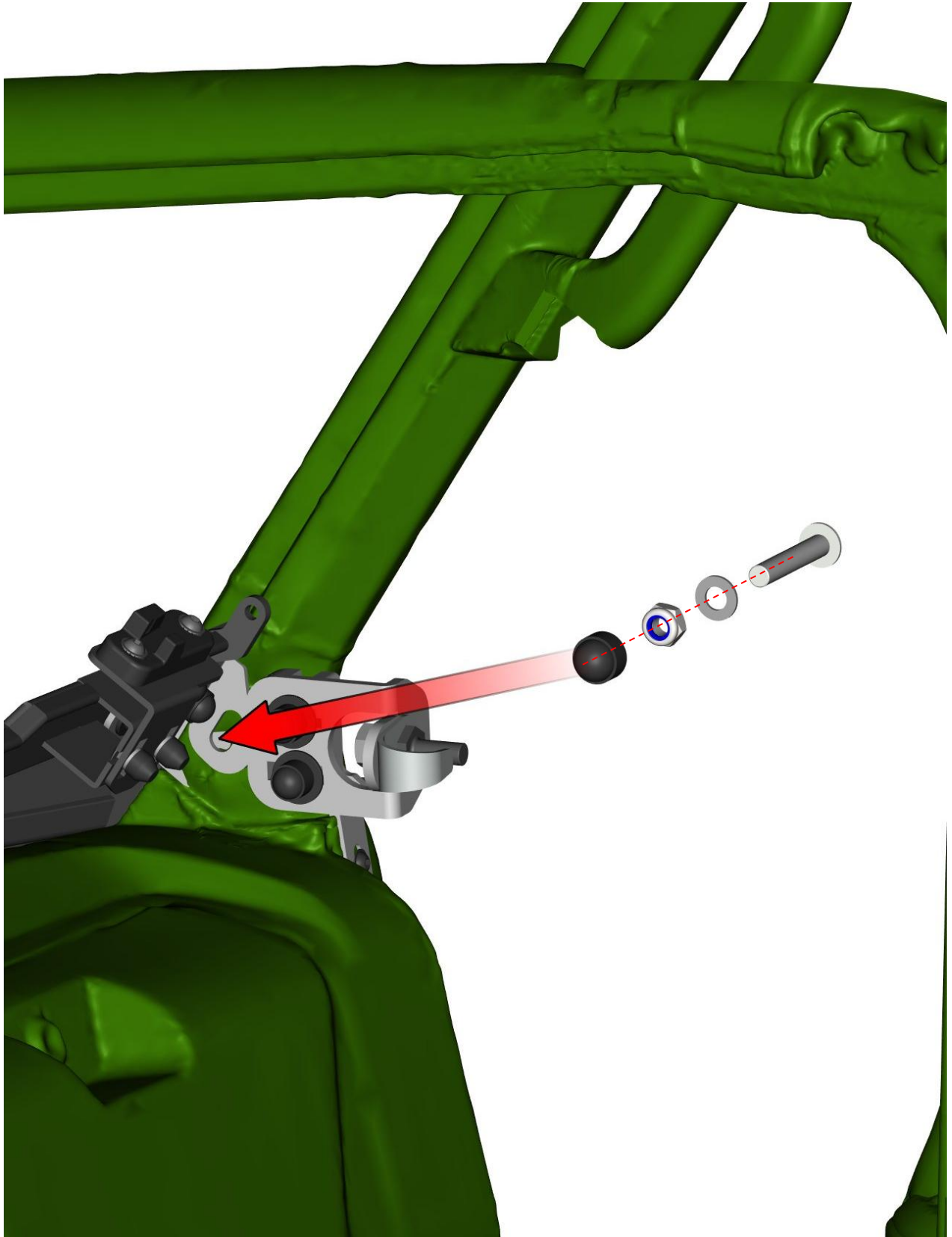
39

Insert the door stop base between the side holder and frame.



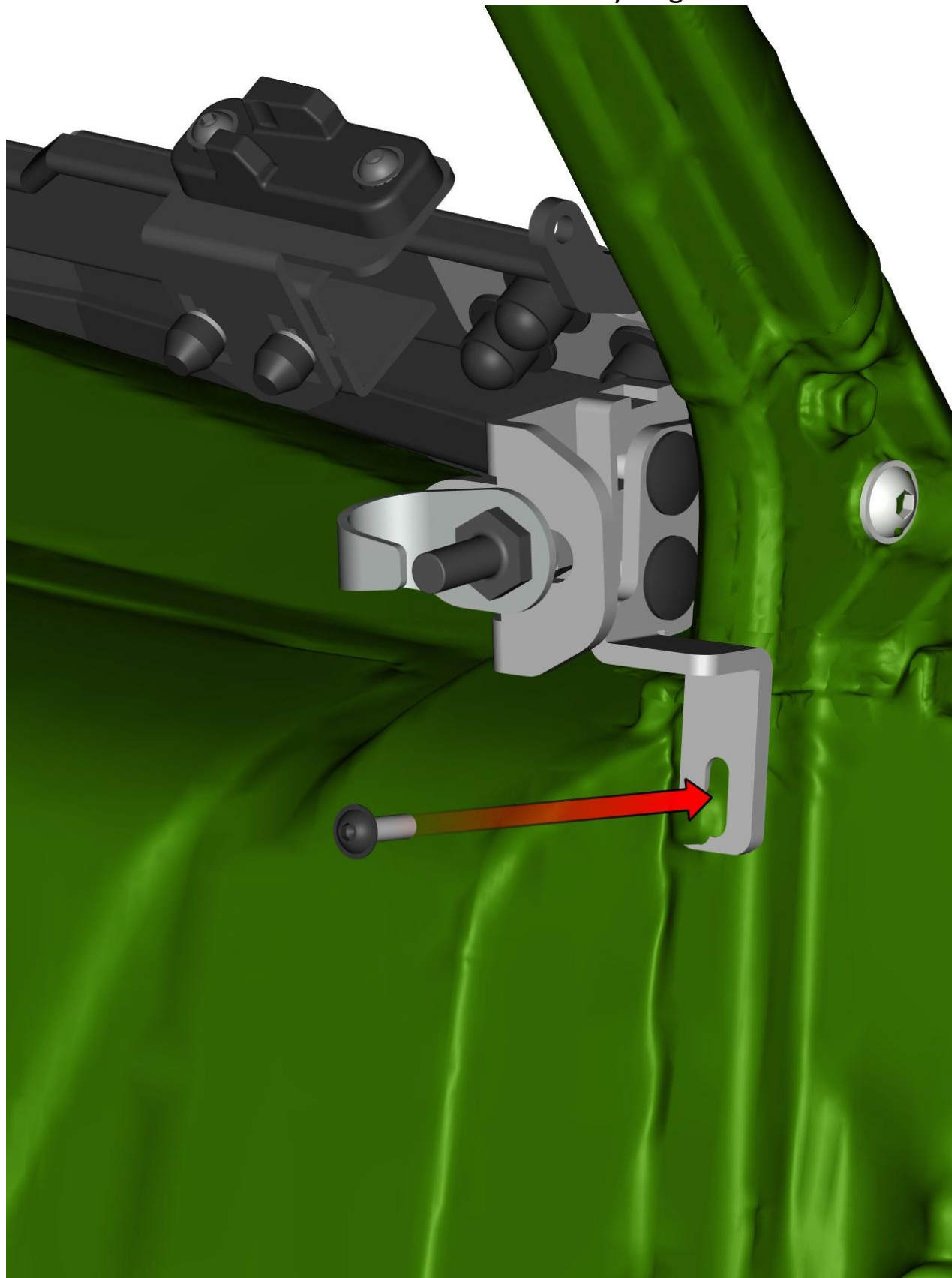


Fix the holder with the base to the frame  
by included screw, washer, nut and cover.



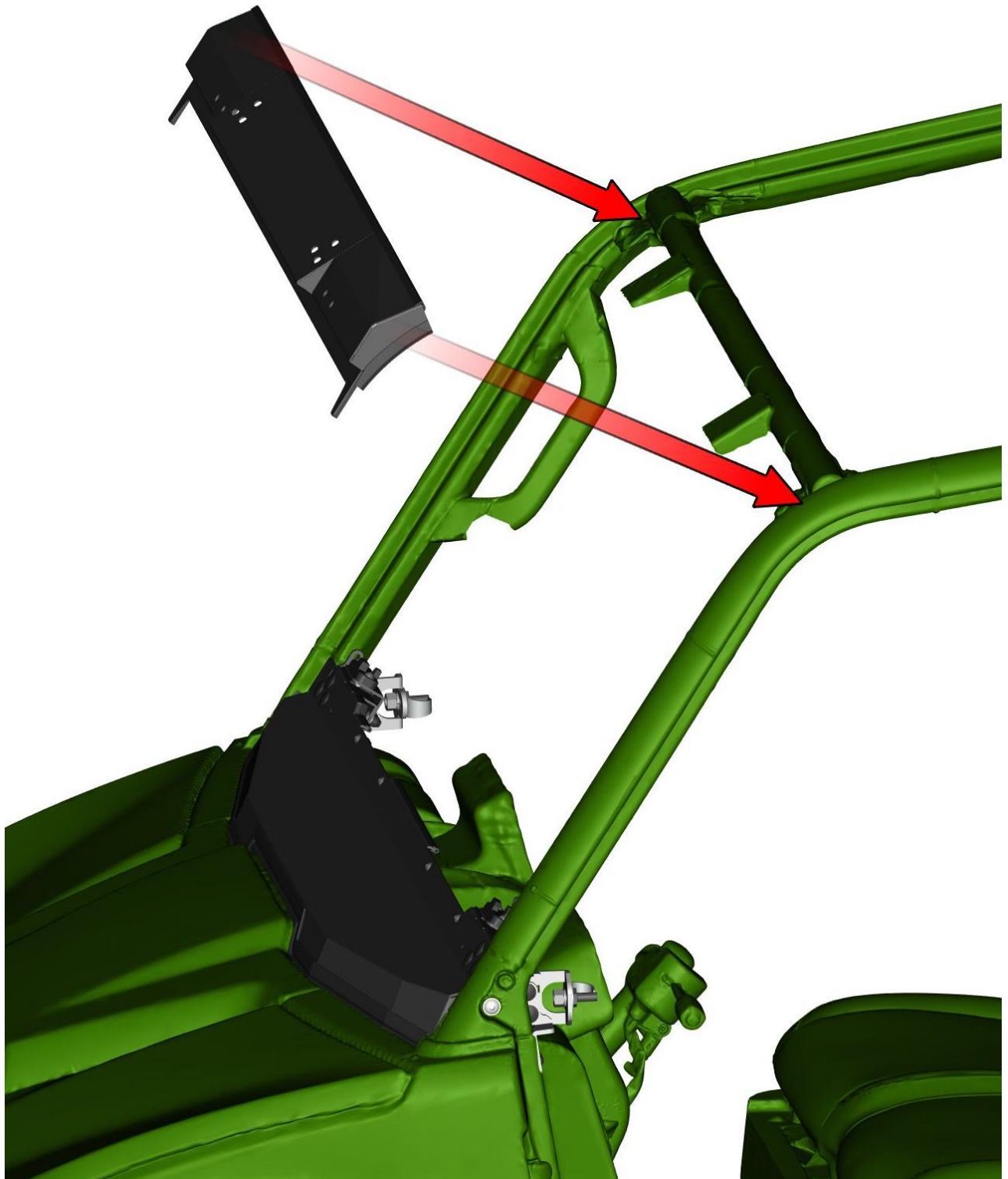
41

Secure the holder with the vehicle by original screw.



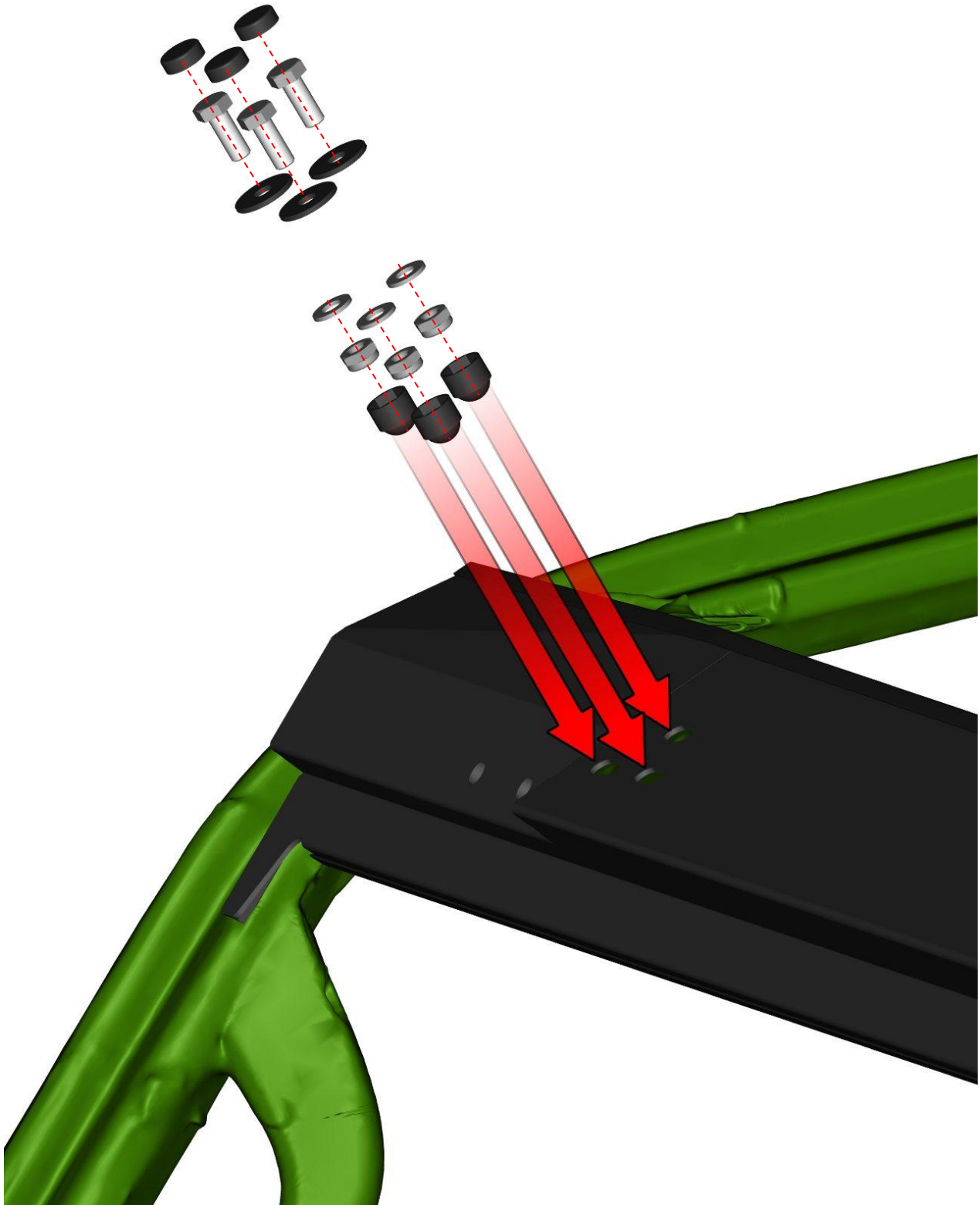
42

Place upper ledge onto the UTV's upper rops frame in accordance with the holes.



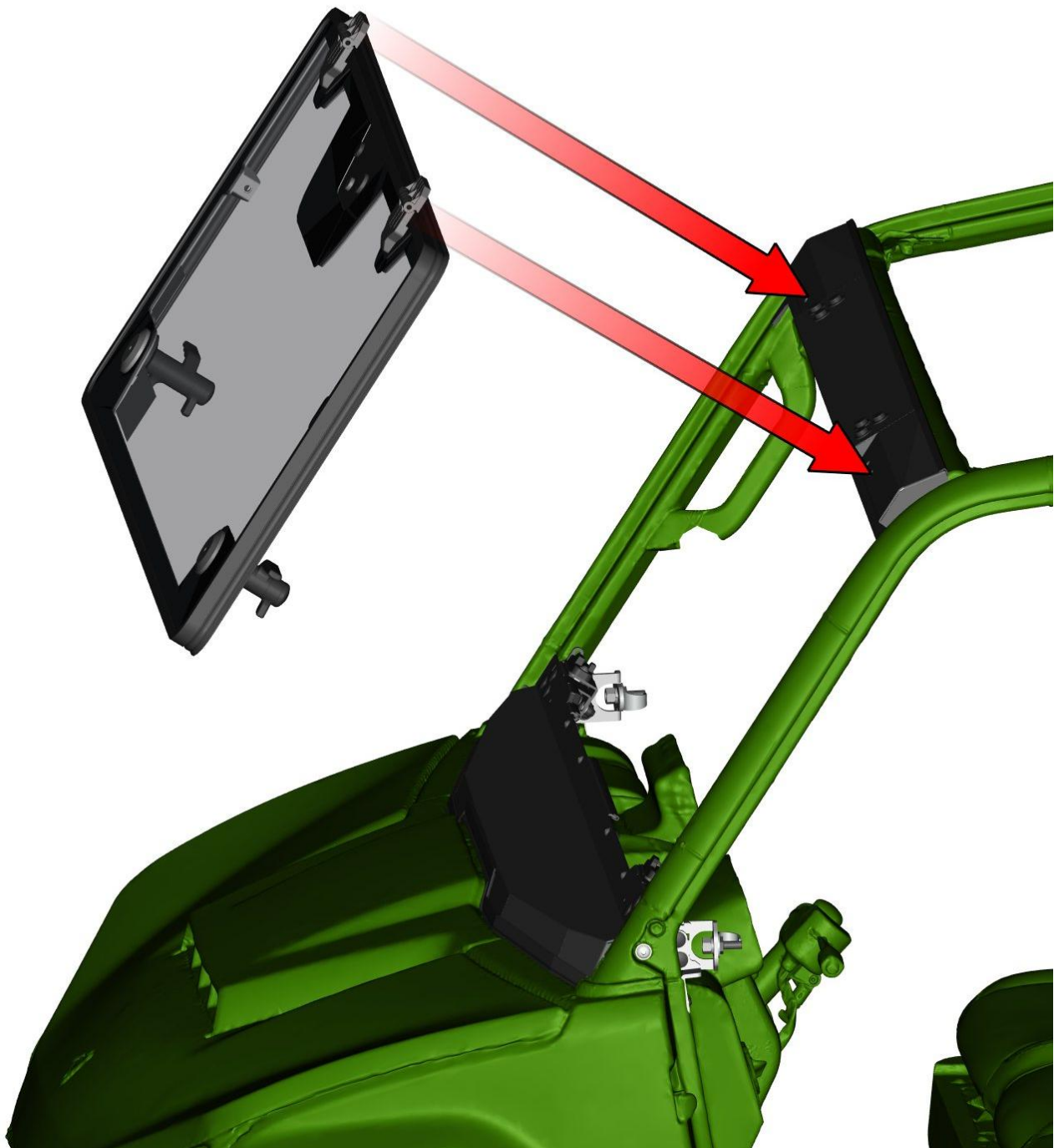
43

Fix upper ledge with included fixing kit on both sides.



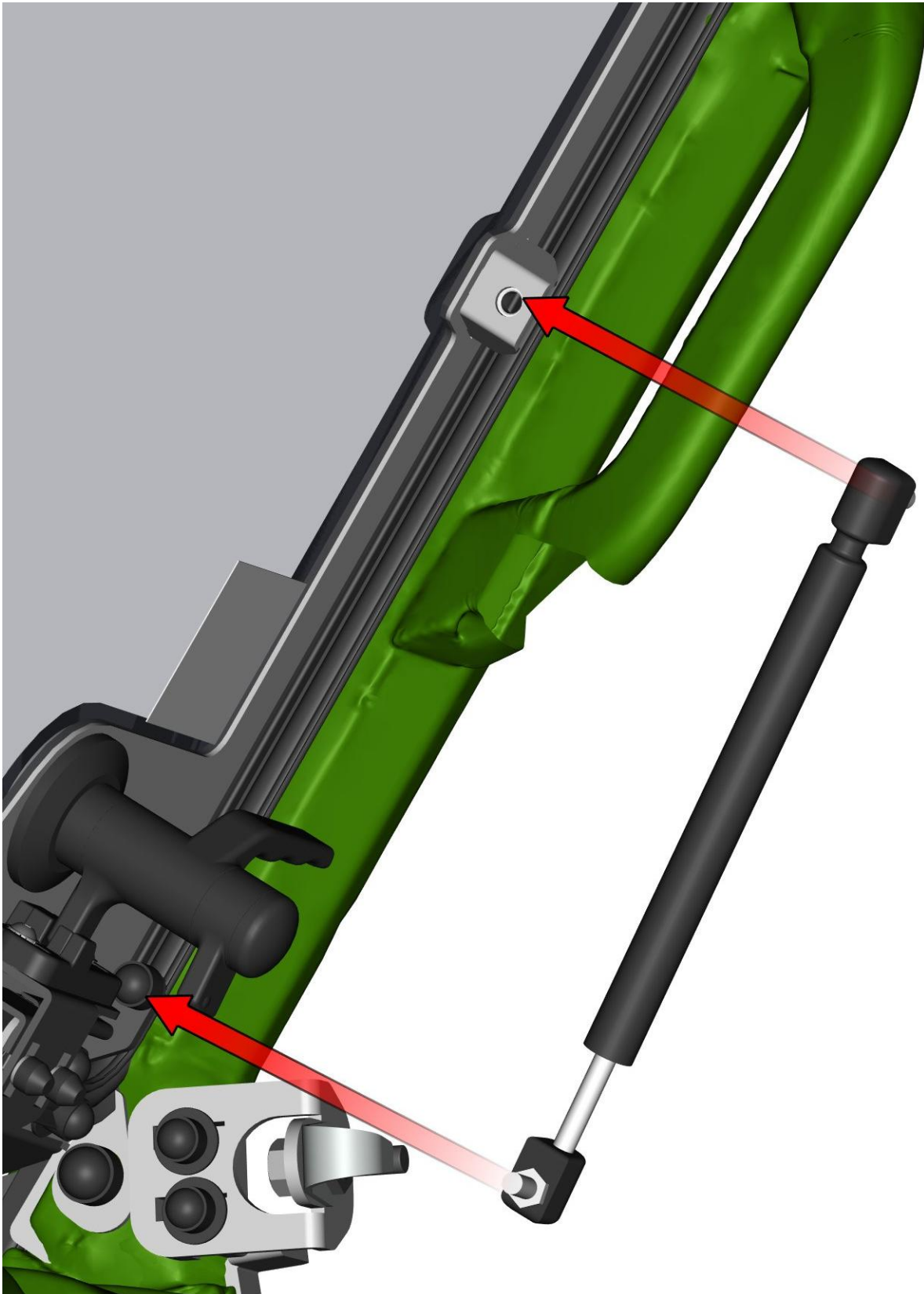
44

Place the window with the hinge bases onto the front ledge.  
Fix the hinge with the base to the ledge  
by included screws, washers, nuts and covers.



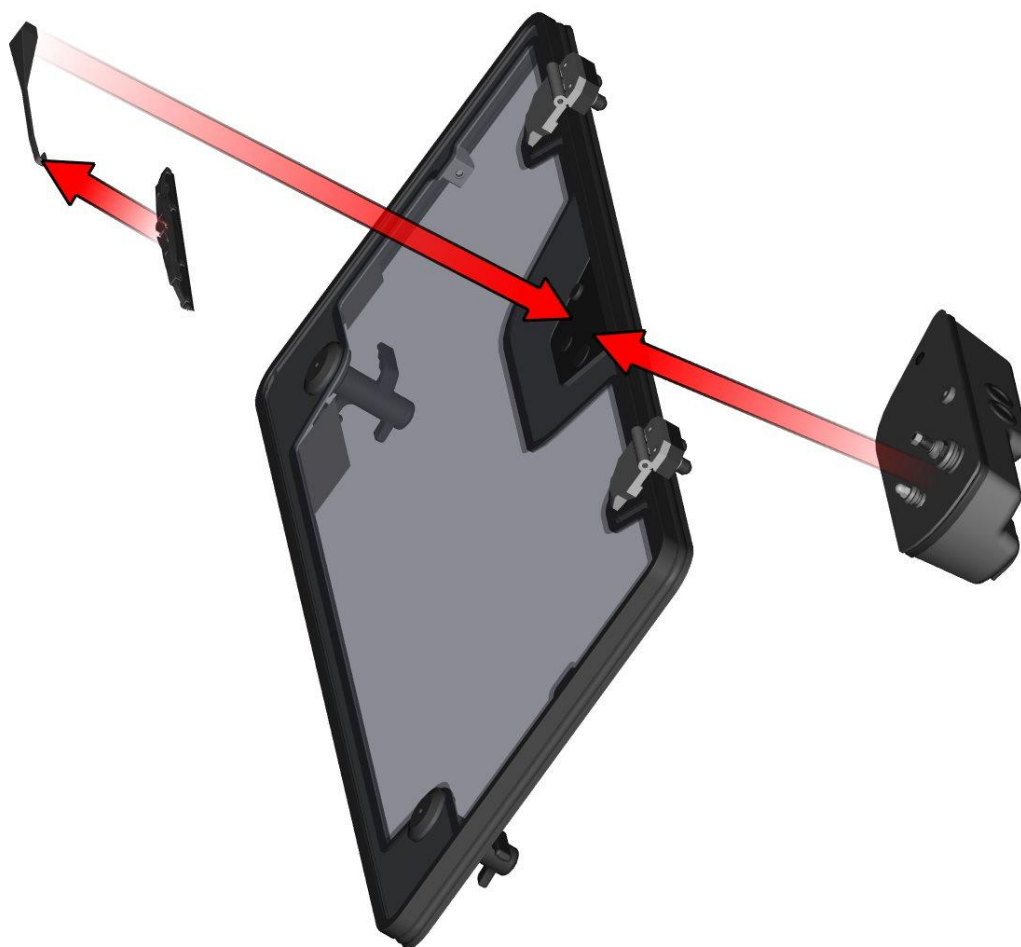
45

Install front gas spring into the holders on both sides. **It is very important to install gas spring in same orientation like on picture.**



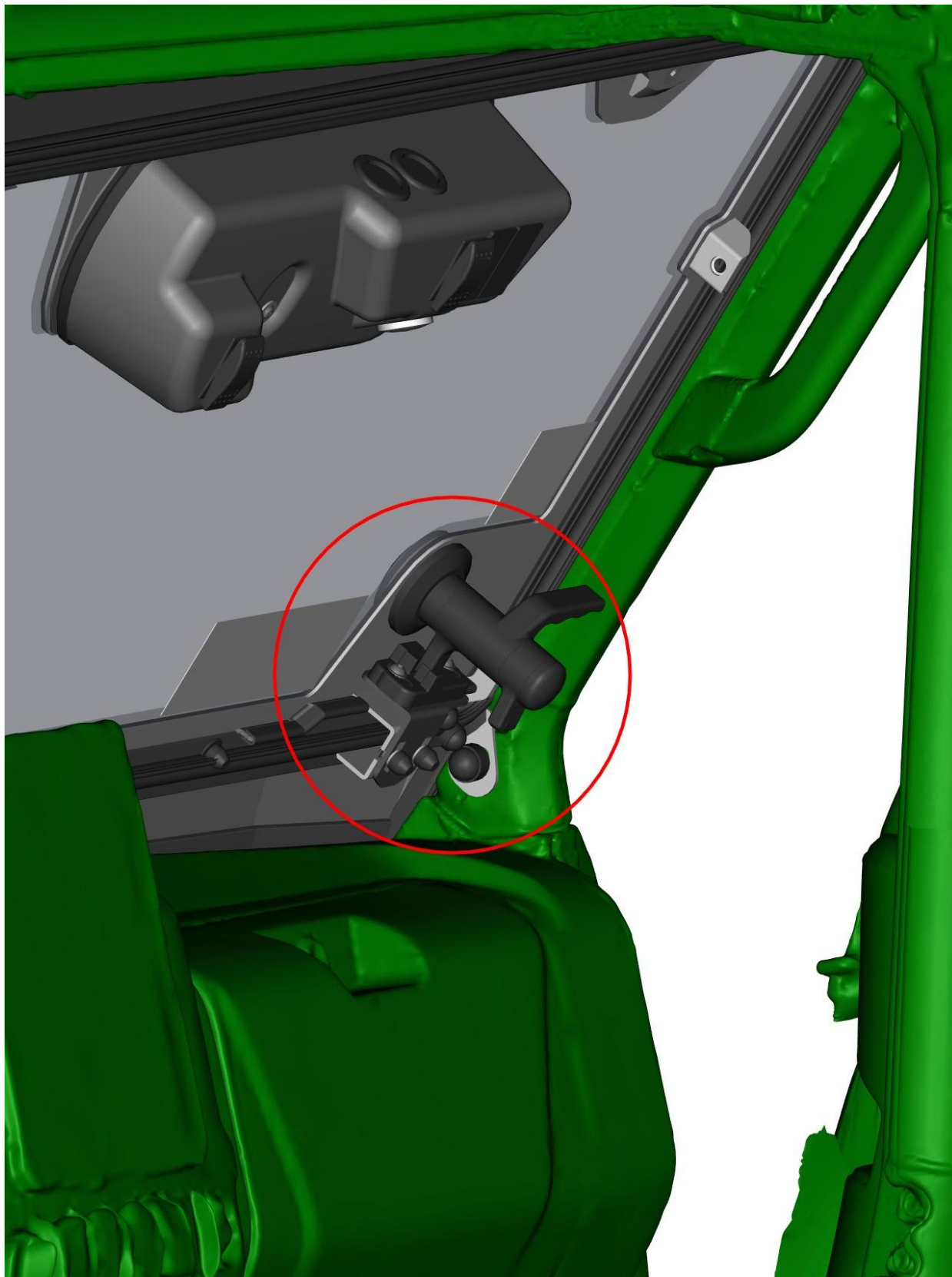
46

Install wiper motor, wiper and washer onto the front glass.



47

Adjust the glass stop assembly to the best position for glass lock on both sides.



48



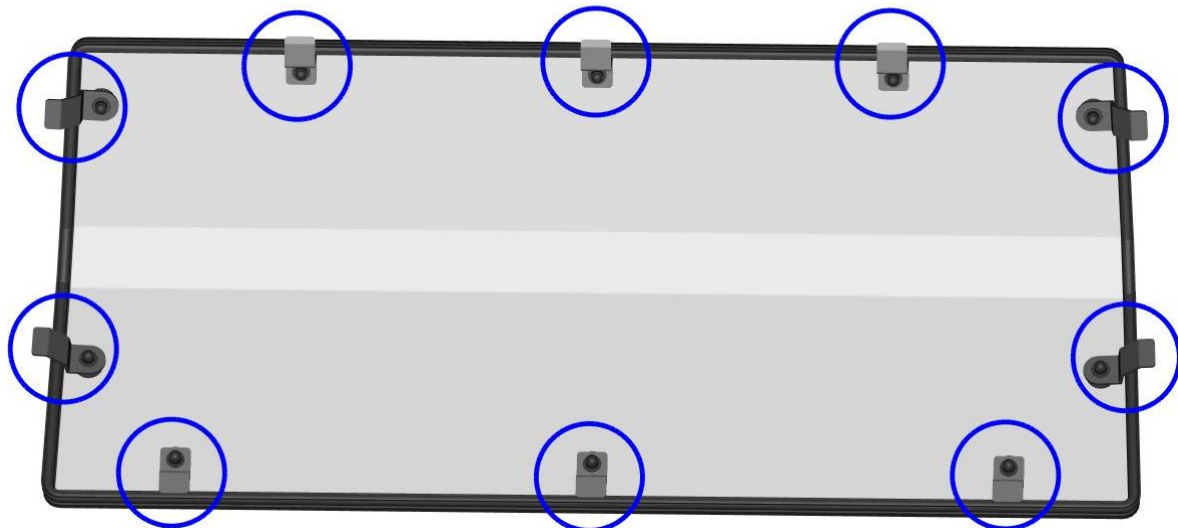
Tighten all screws and nuts correctly.



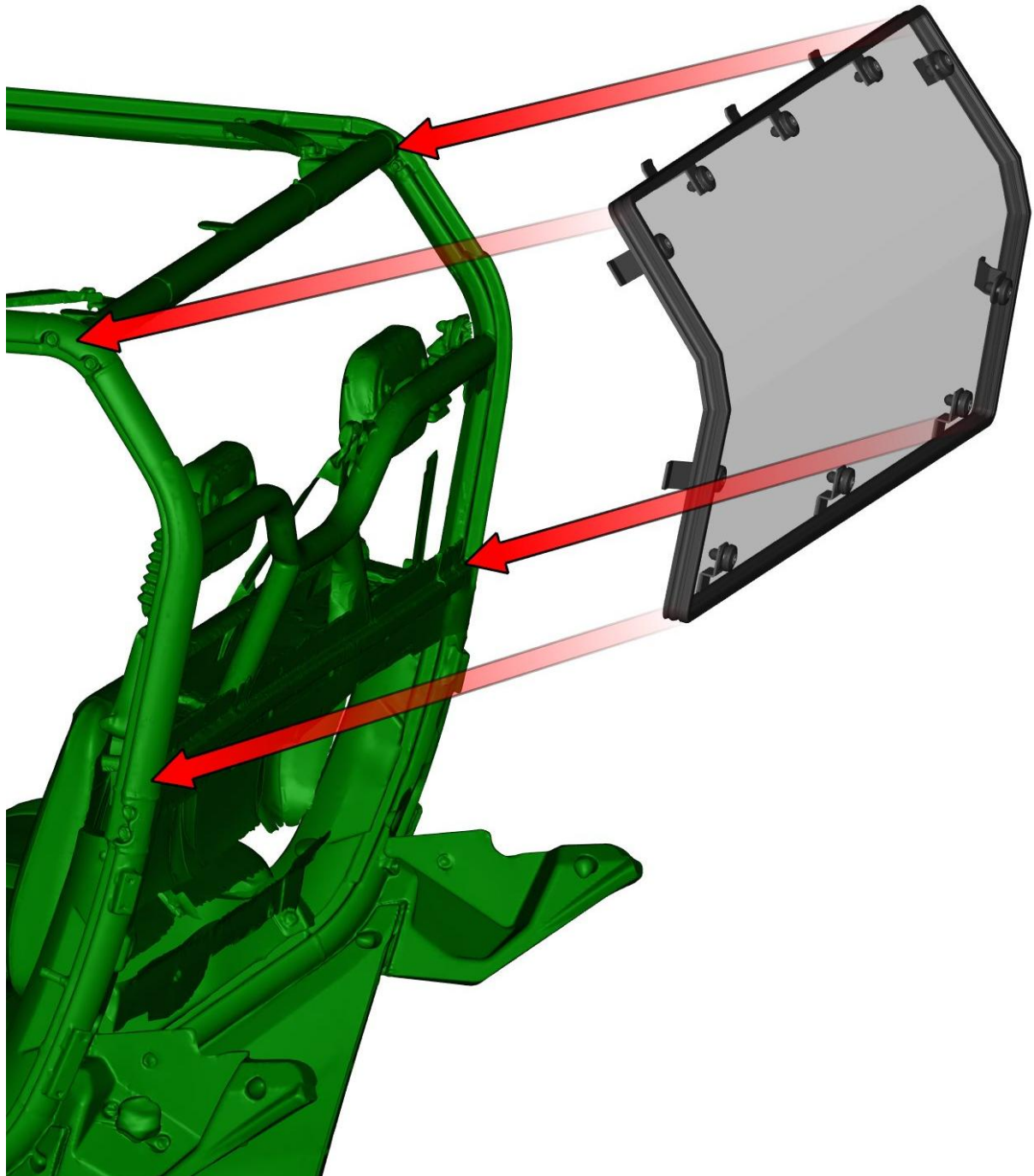
49

**REAR PANEL**

Loosen all rear panel brackets and turn them into the neutral position.



Place rear panel onto the UTV's rops.



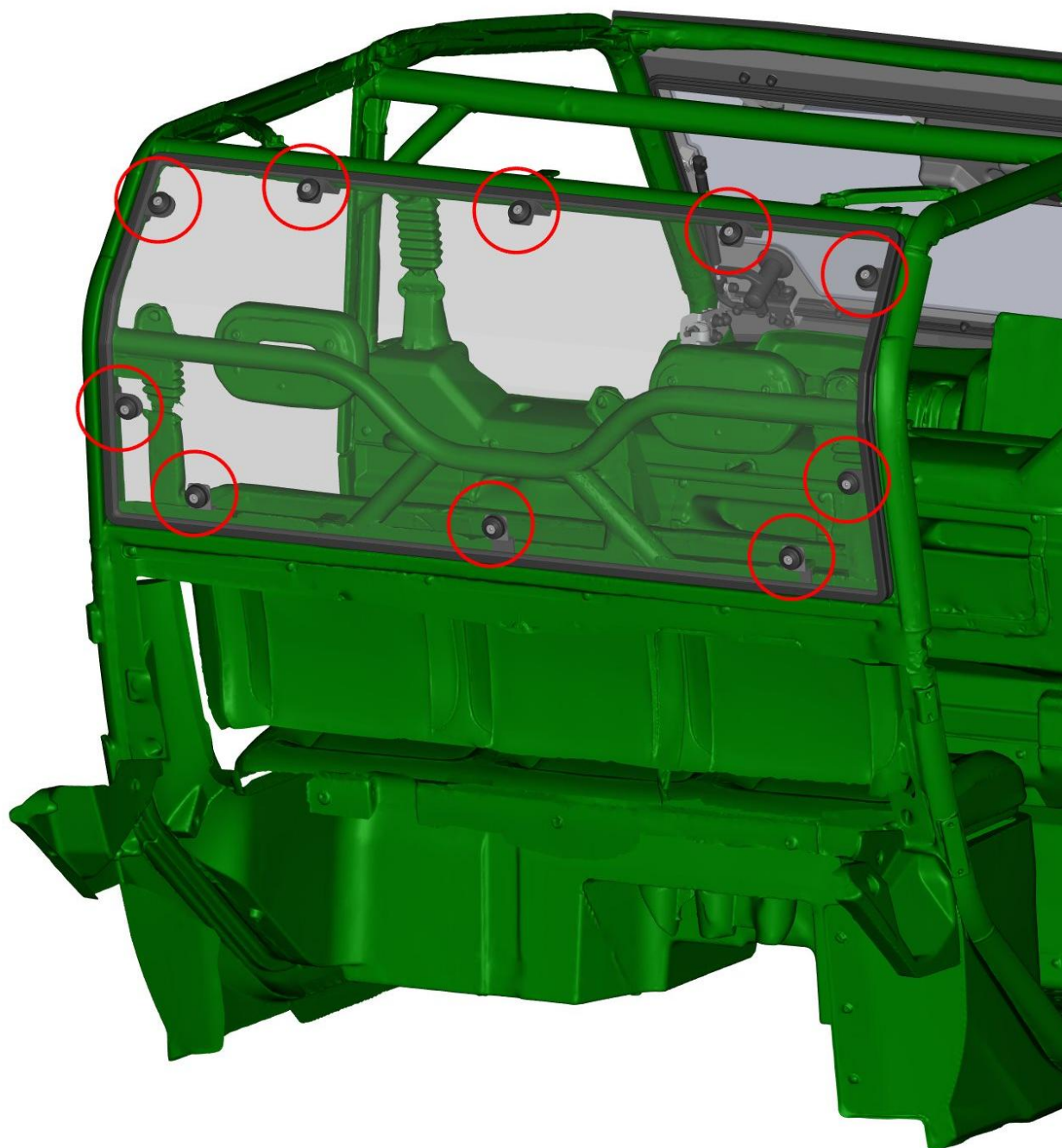
51

Adjust rear panel into the best position.



52

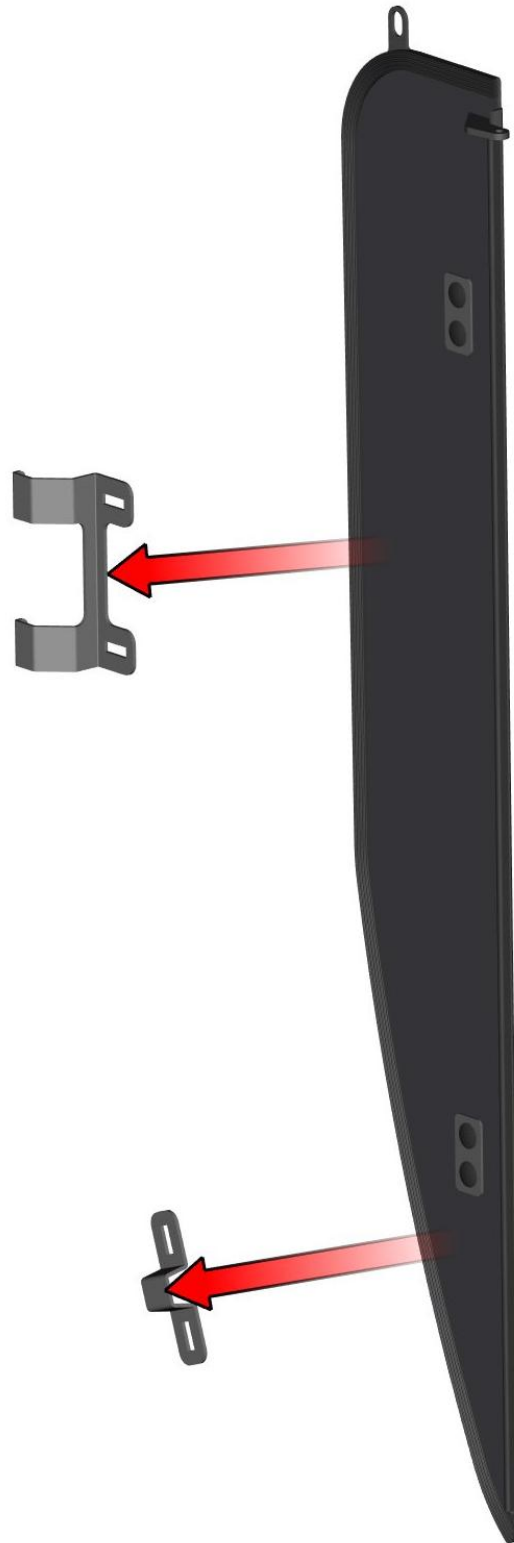
Turn rear panel brackets into the fixed position and tighten the screws.



53

**LEFT DOOR + RIGHT DOOR**

Uninstall brackets from left front door base assembly.



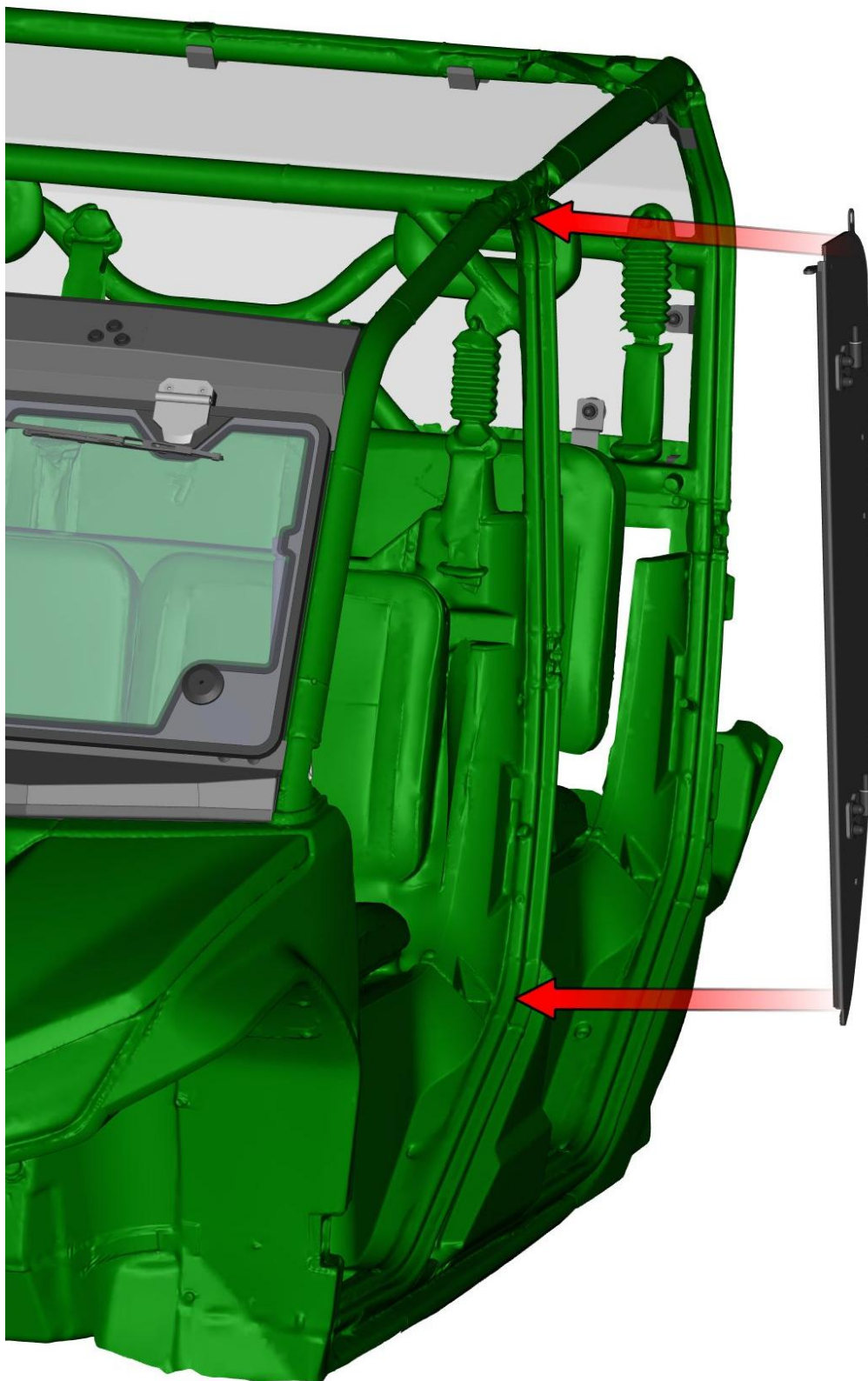
54

Remove original screw from upper UTV's frame.



55

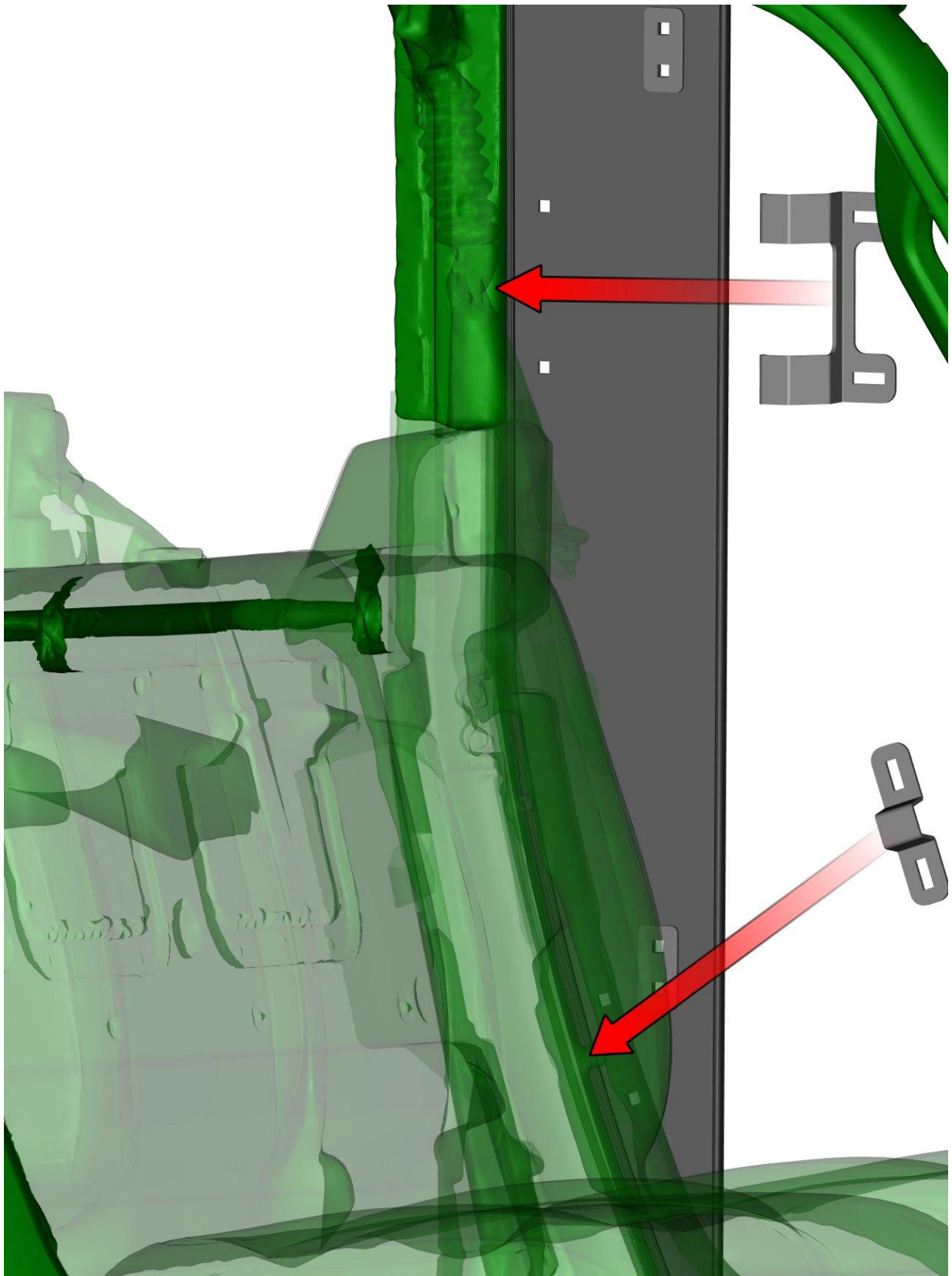
Place the left front door base assembly onto the UTV's frame in accordance with the removed screw.



56

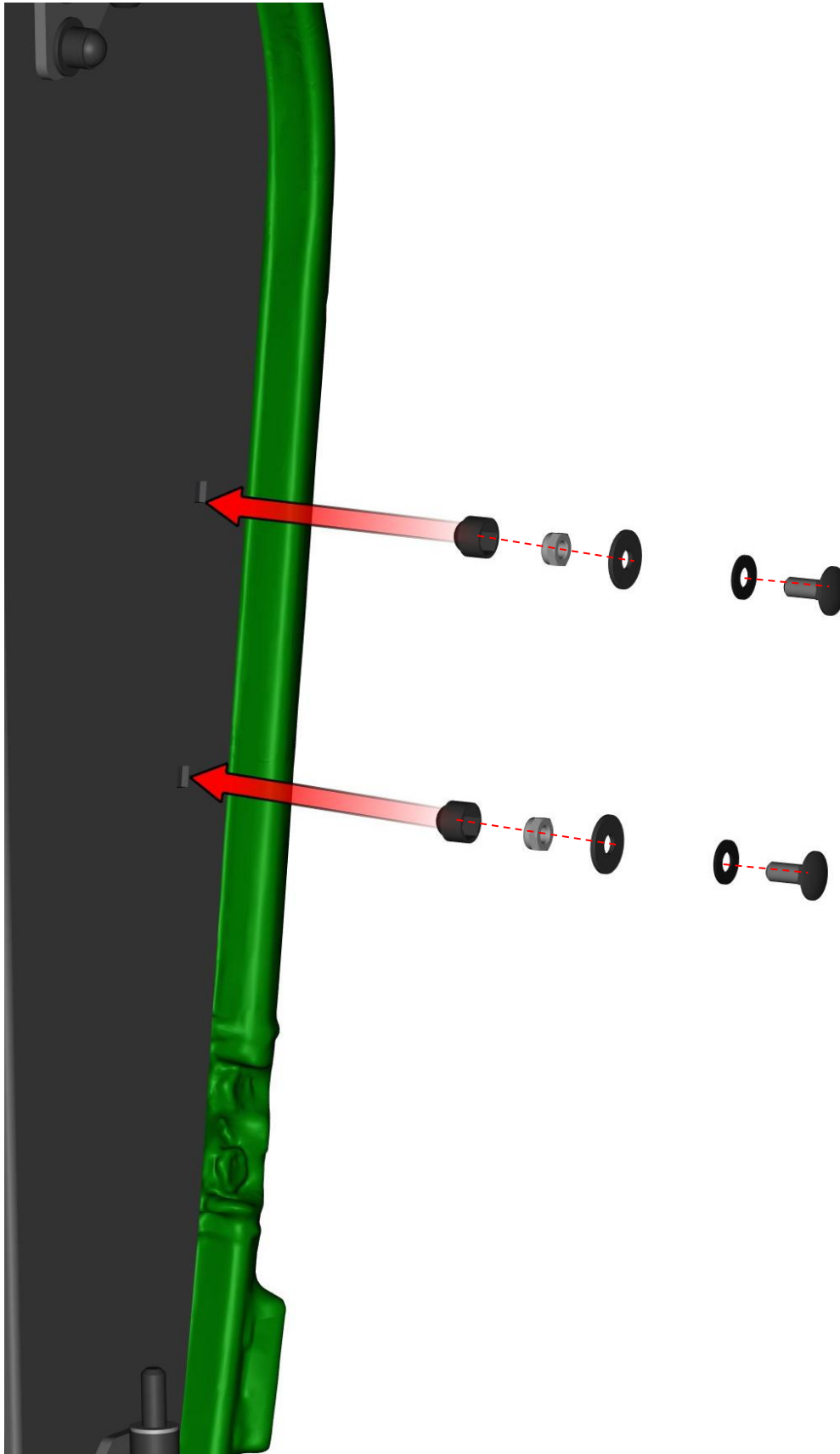


Place left front door base brackets onto its place in accordance with the holes.



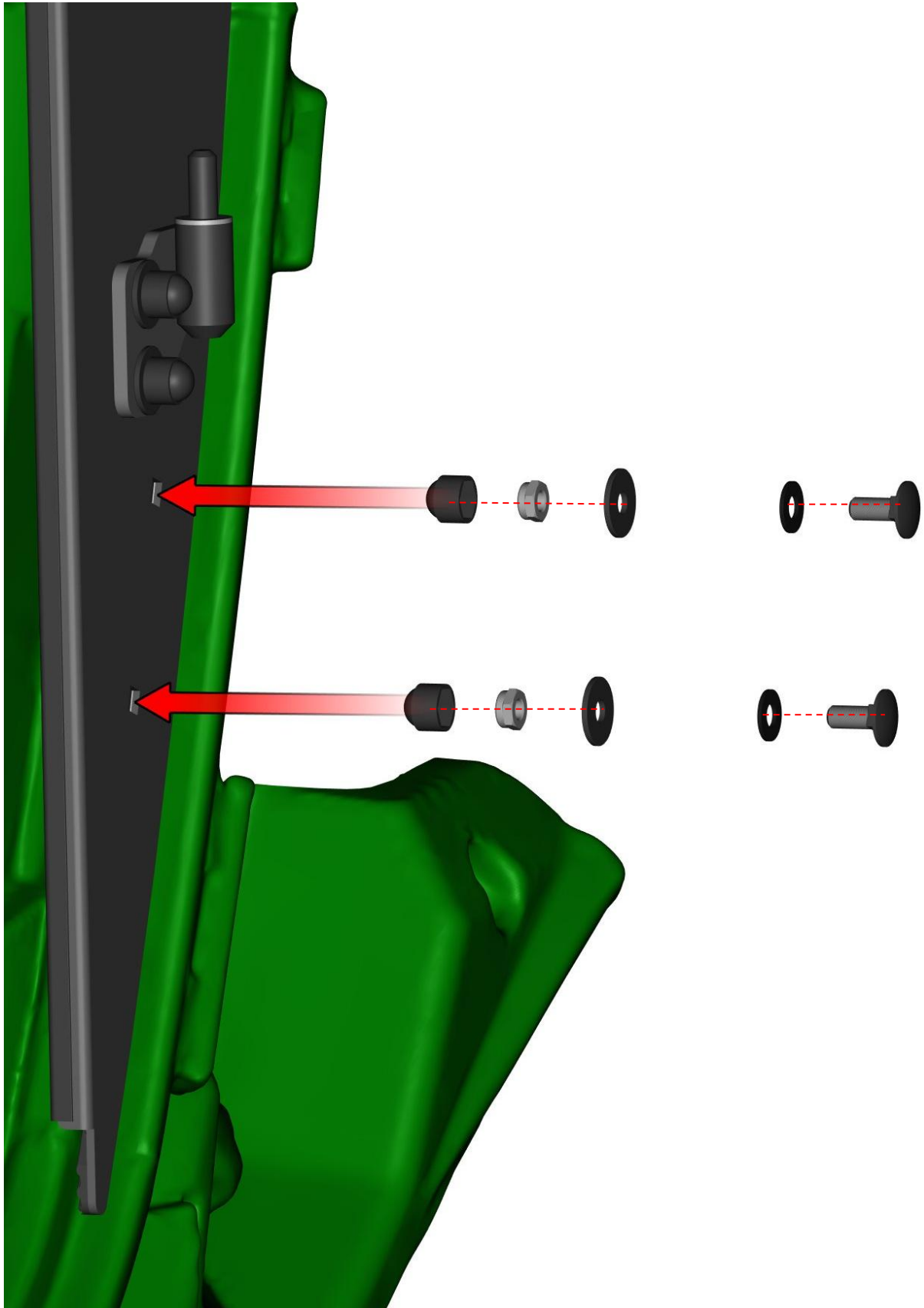
57

Fix upper base bracket with included fixing kit.

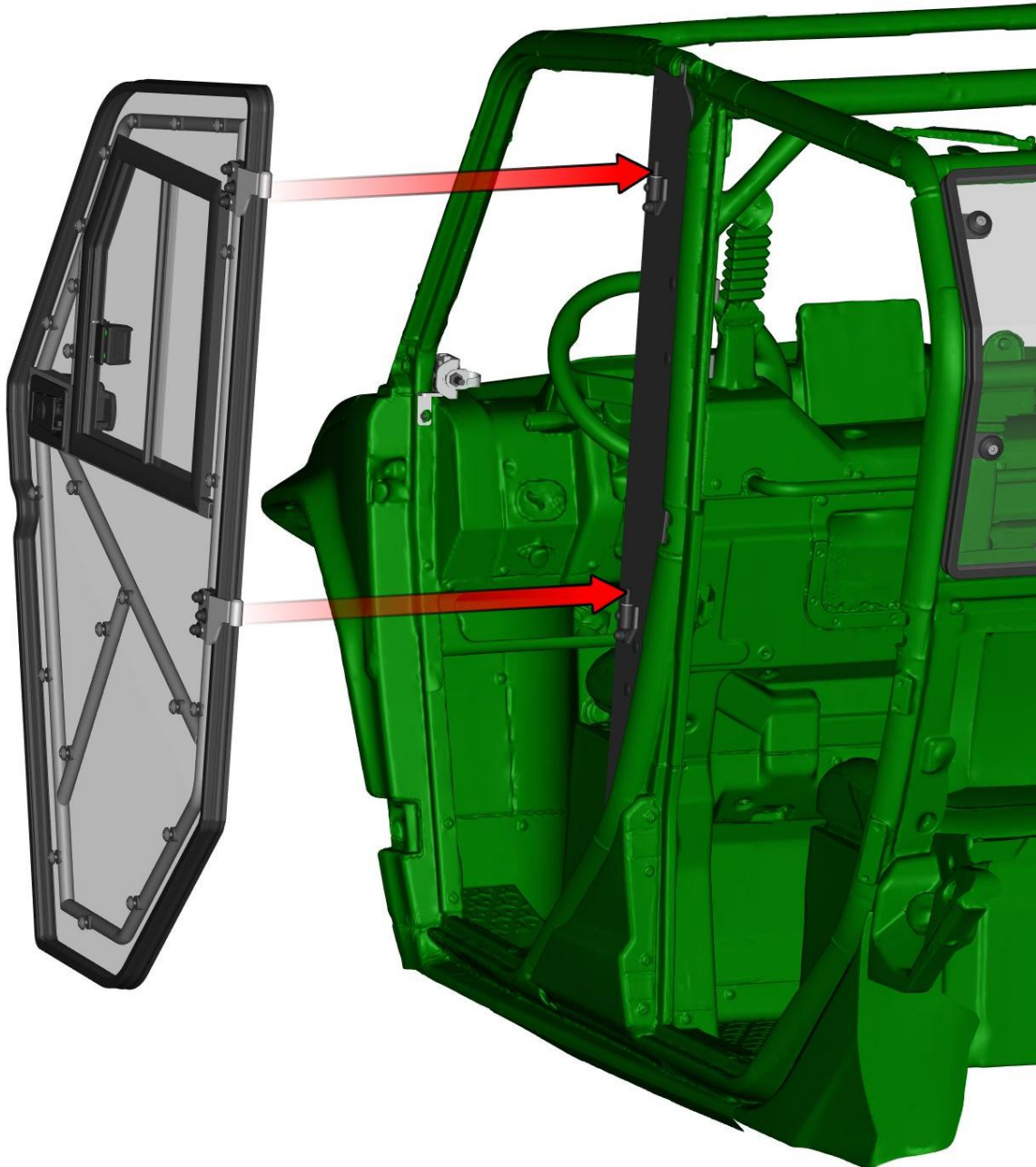


58

Fix bottom bracket with included fixing kit.



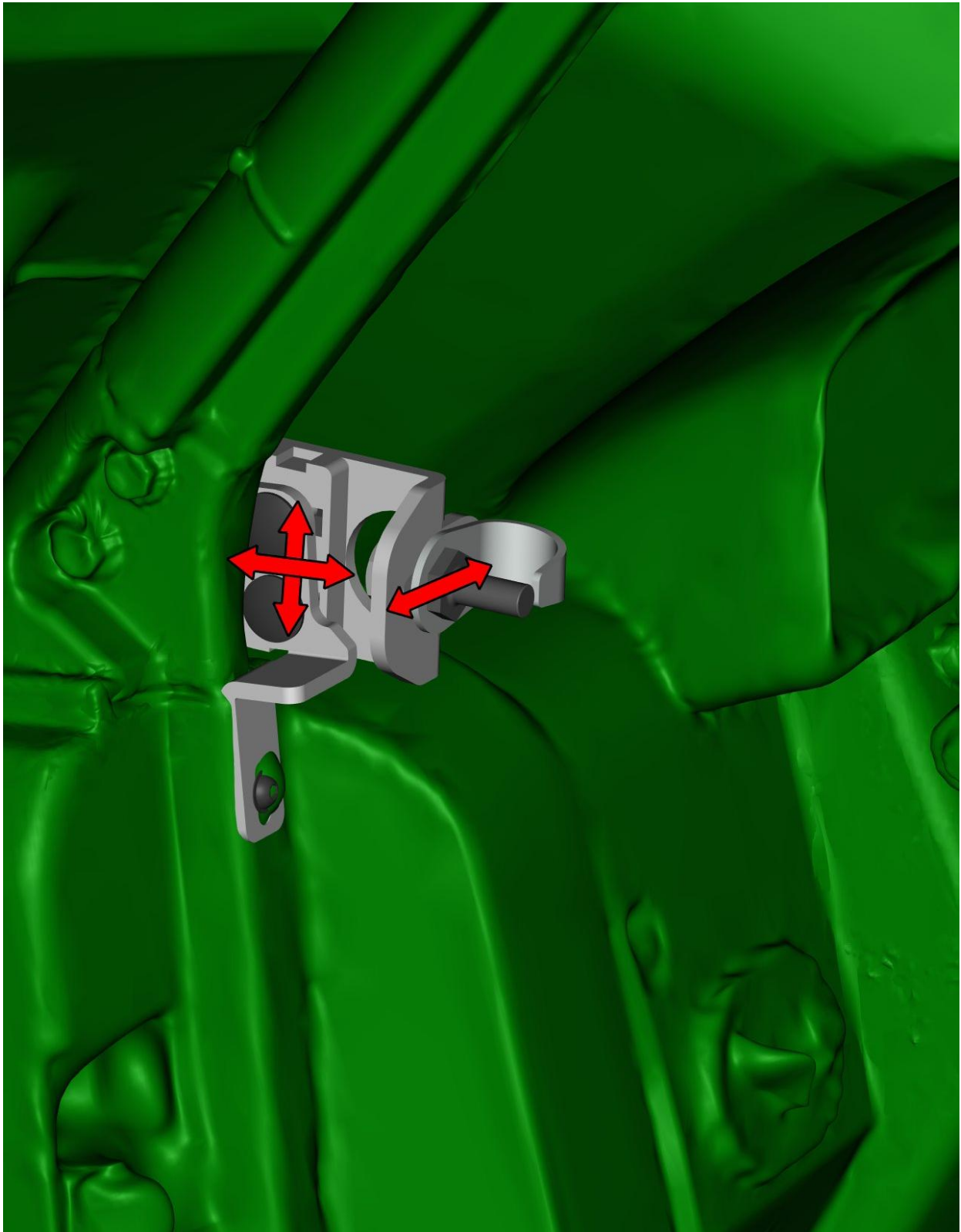
Lubricate hinge's pins ant put left front door onto the left front door's base.



60

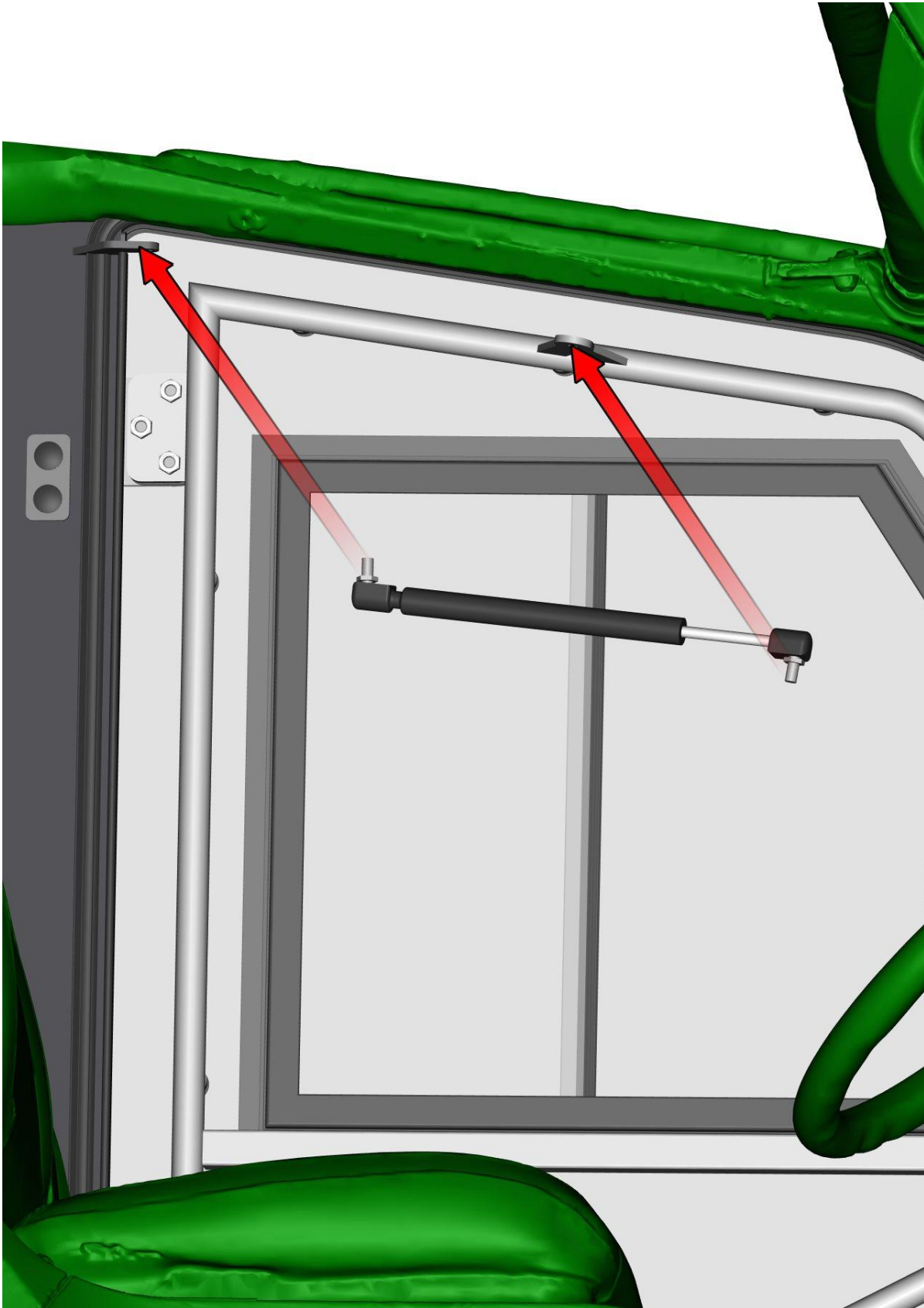
Adjust the door stop to the best position.

If you adjust the door stop correctly and close the door slowly you can hear two metallic clicks.



61

Install gas spring into the gas spring pins.



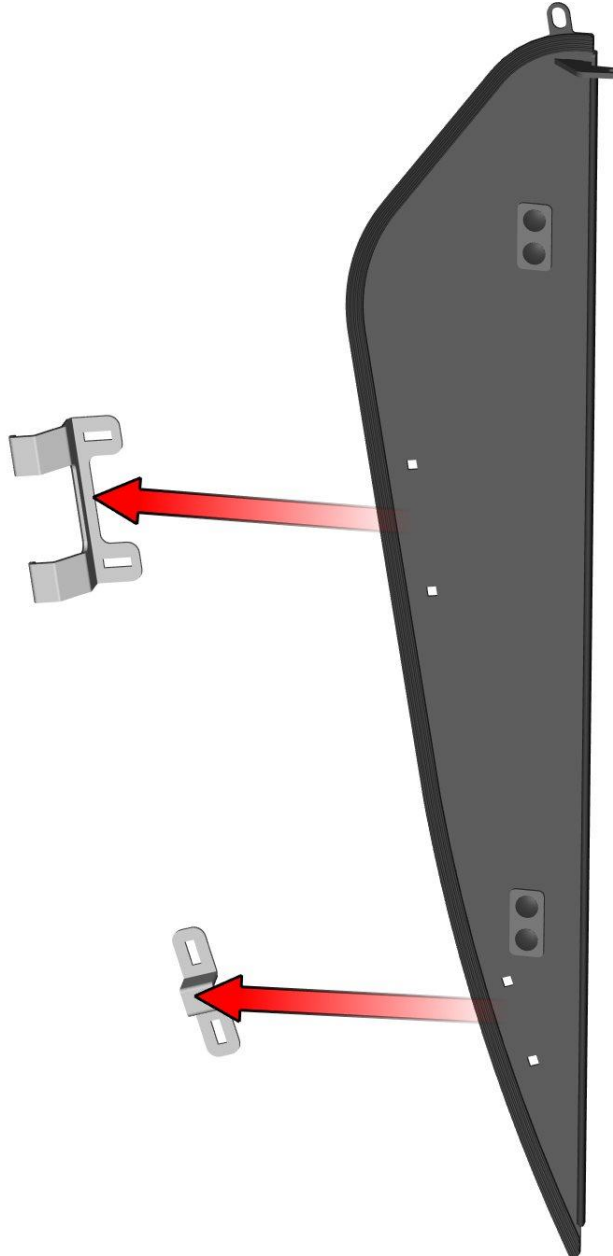
62

Repeat previous steps with right front door assemblies.



63

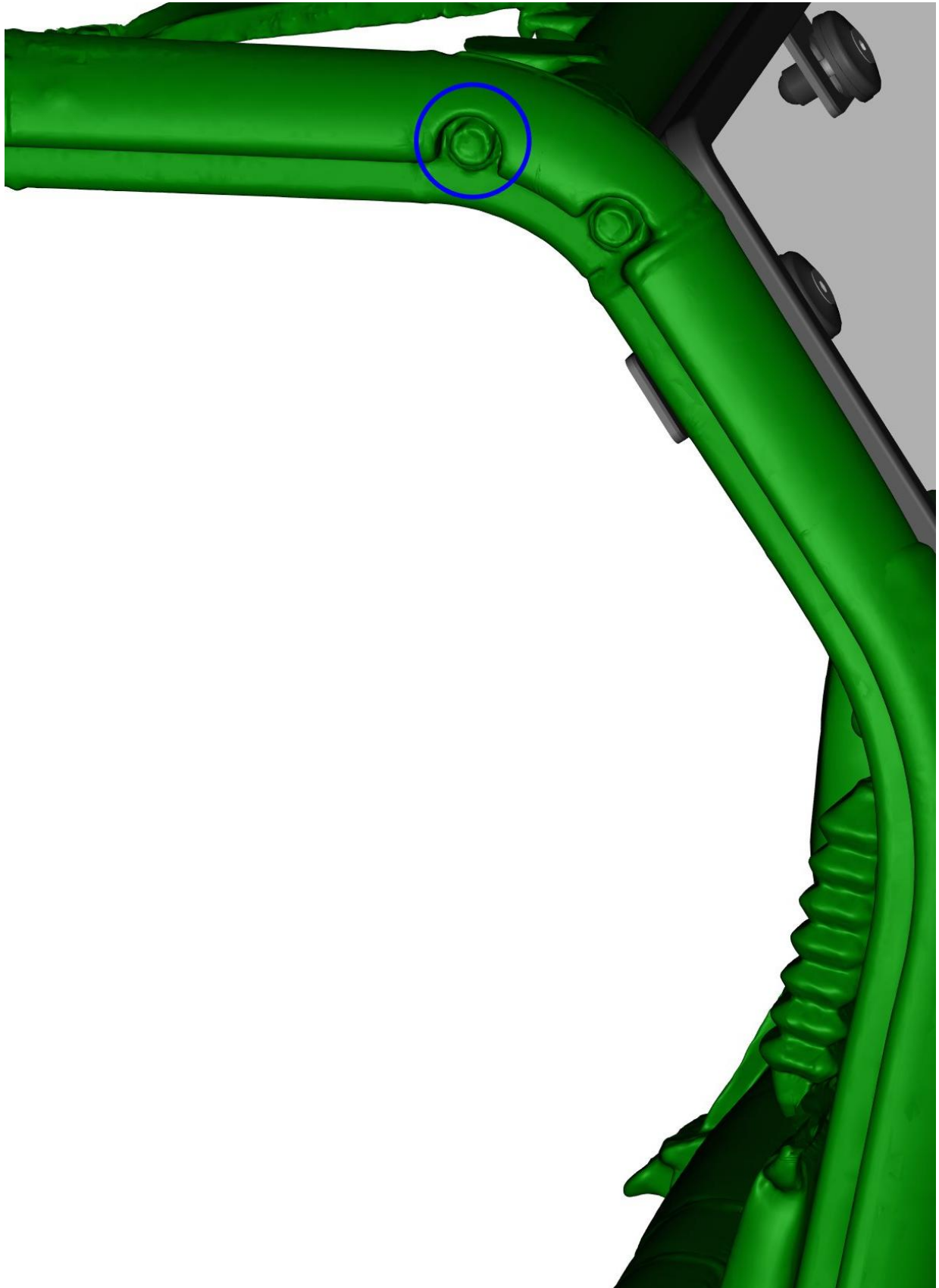
Remove both brackets from left rear door base.



64

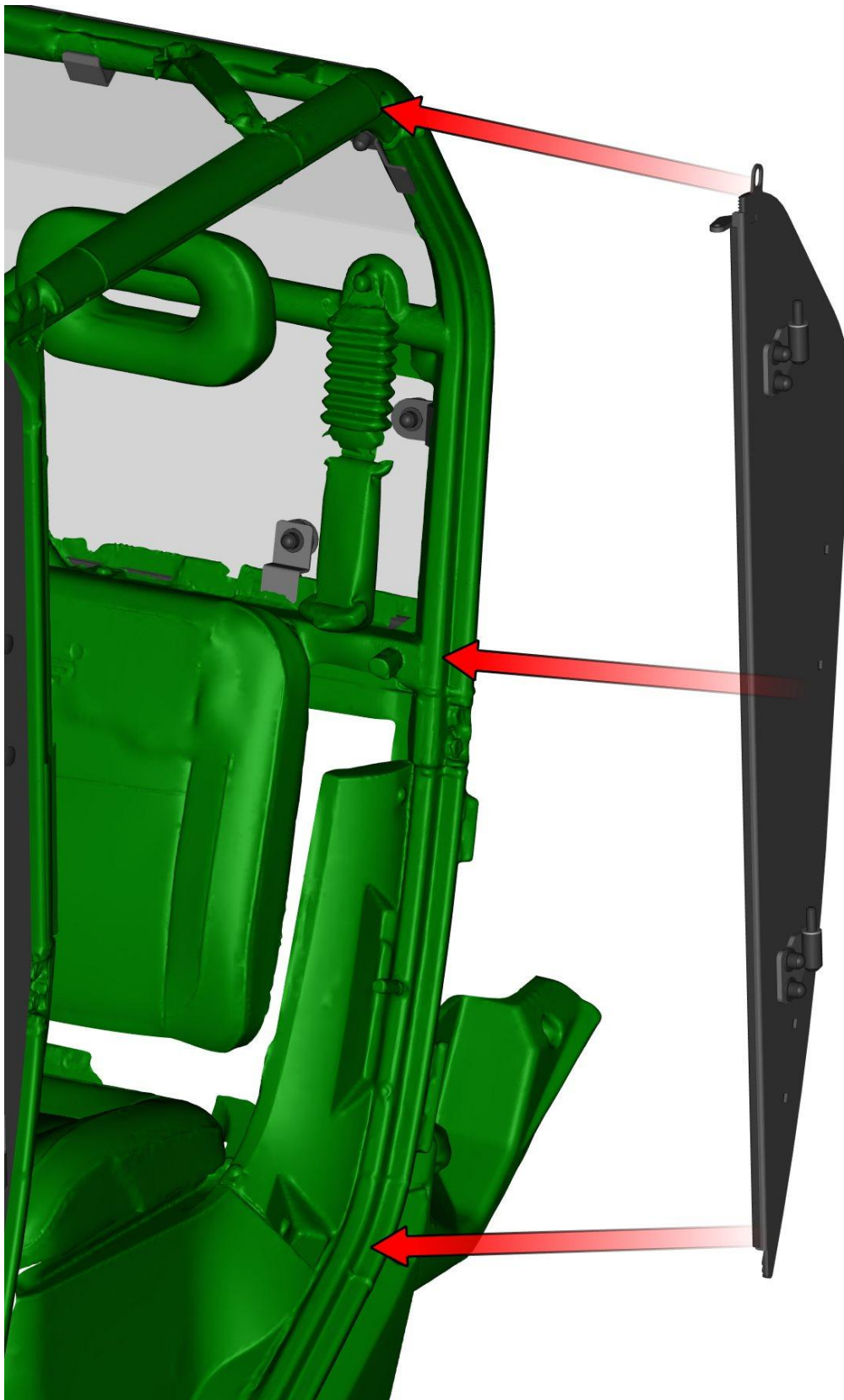


Remove original screw holding the rops and put it aside.



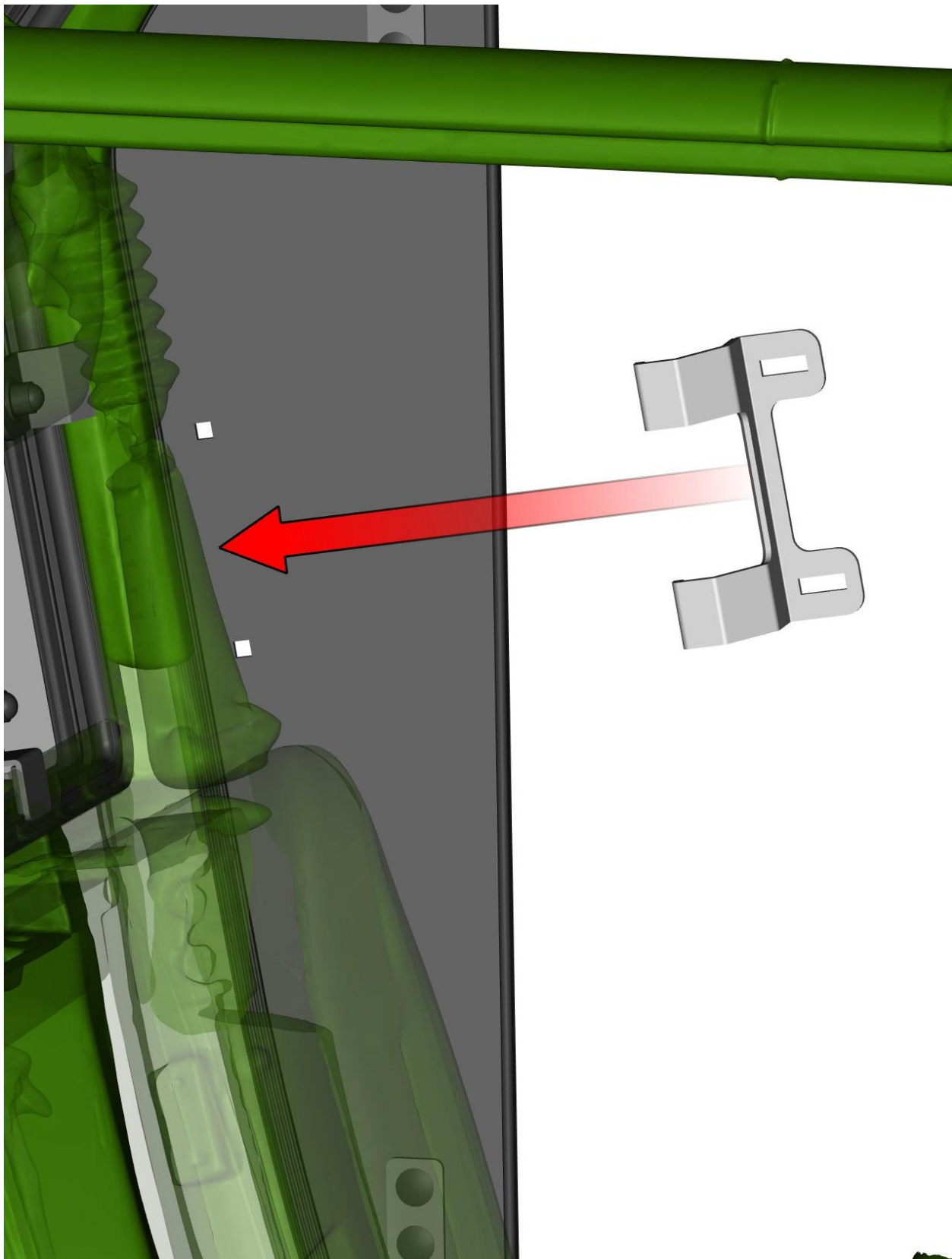
65

Place left rear door base assembly onto the rops frame in accordance with the hole of removed screw.



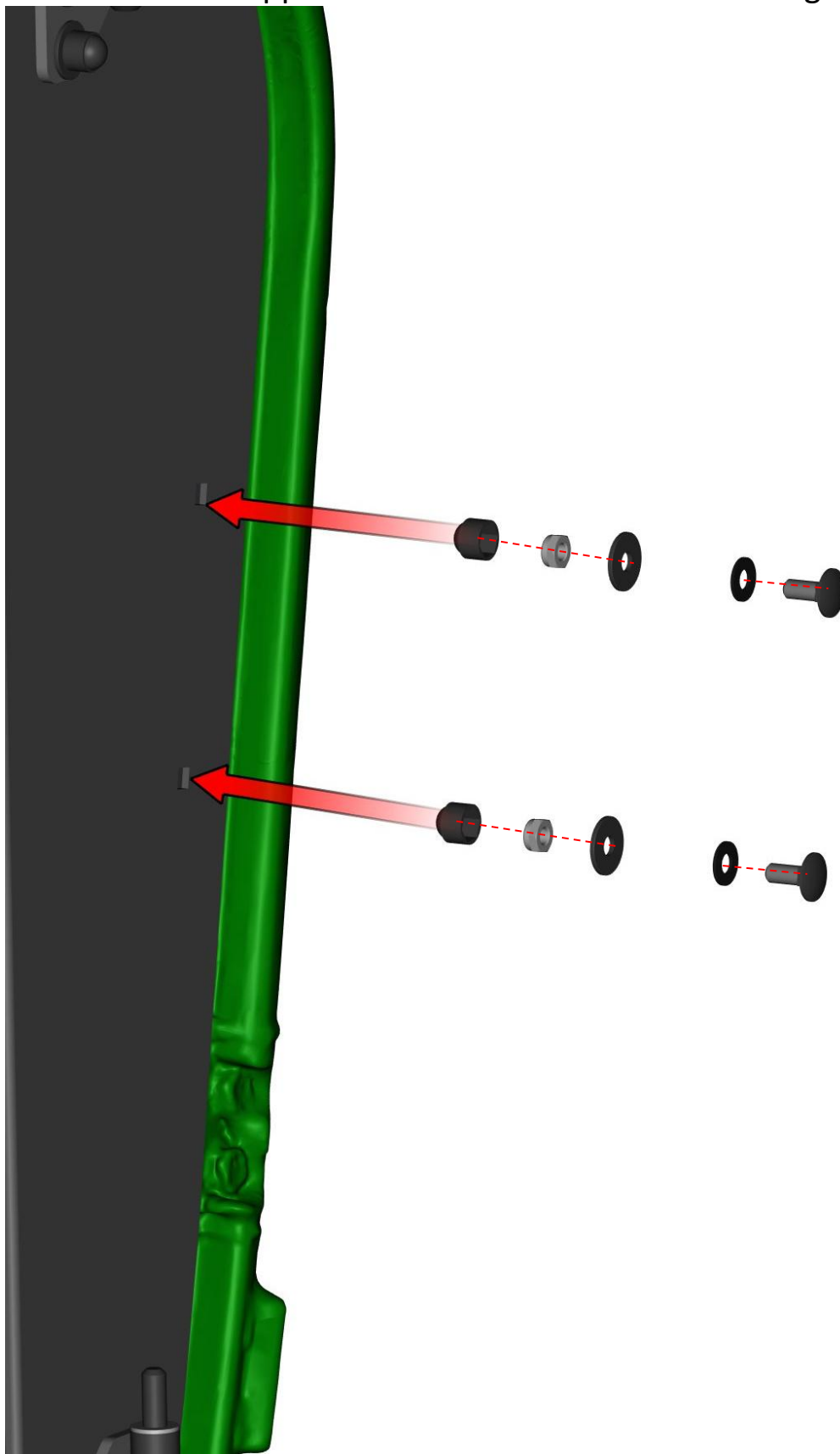
66

Place left rear door base upper bracket onto its place in accordance with the holes.



67

Fix upper base bracket with included fixing kit.



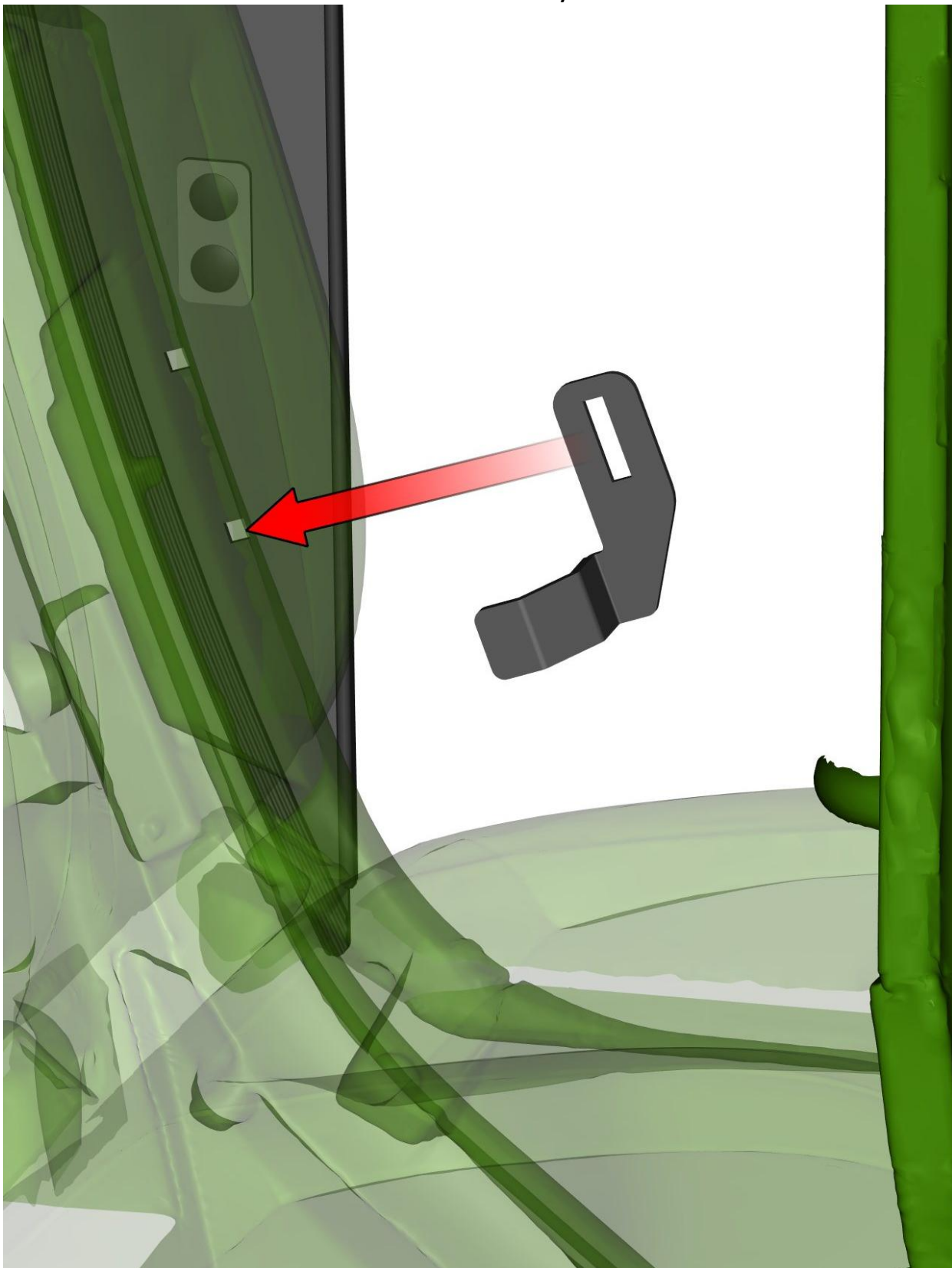
68

If is there welded original door stop, use "U" shaped bracket.

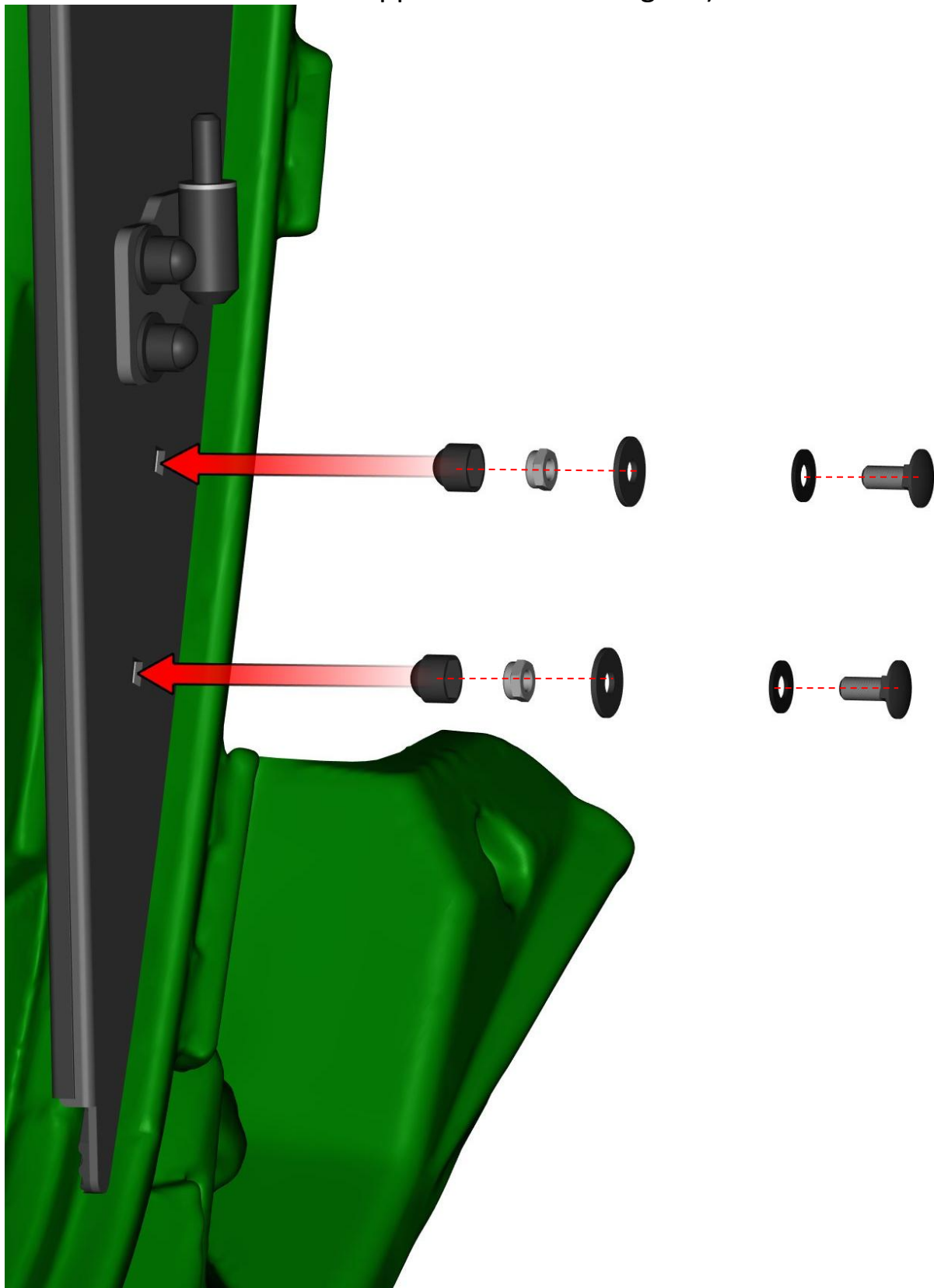


69

If there is no welded door stop, use extra bracket included with rear door base assembly.

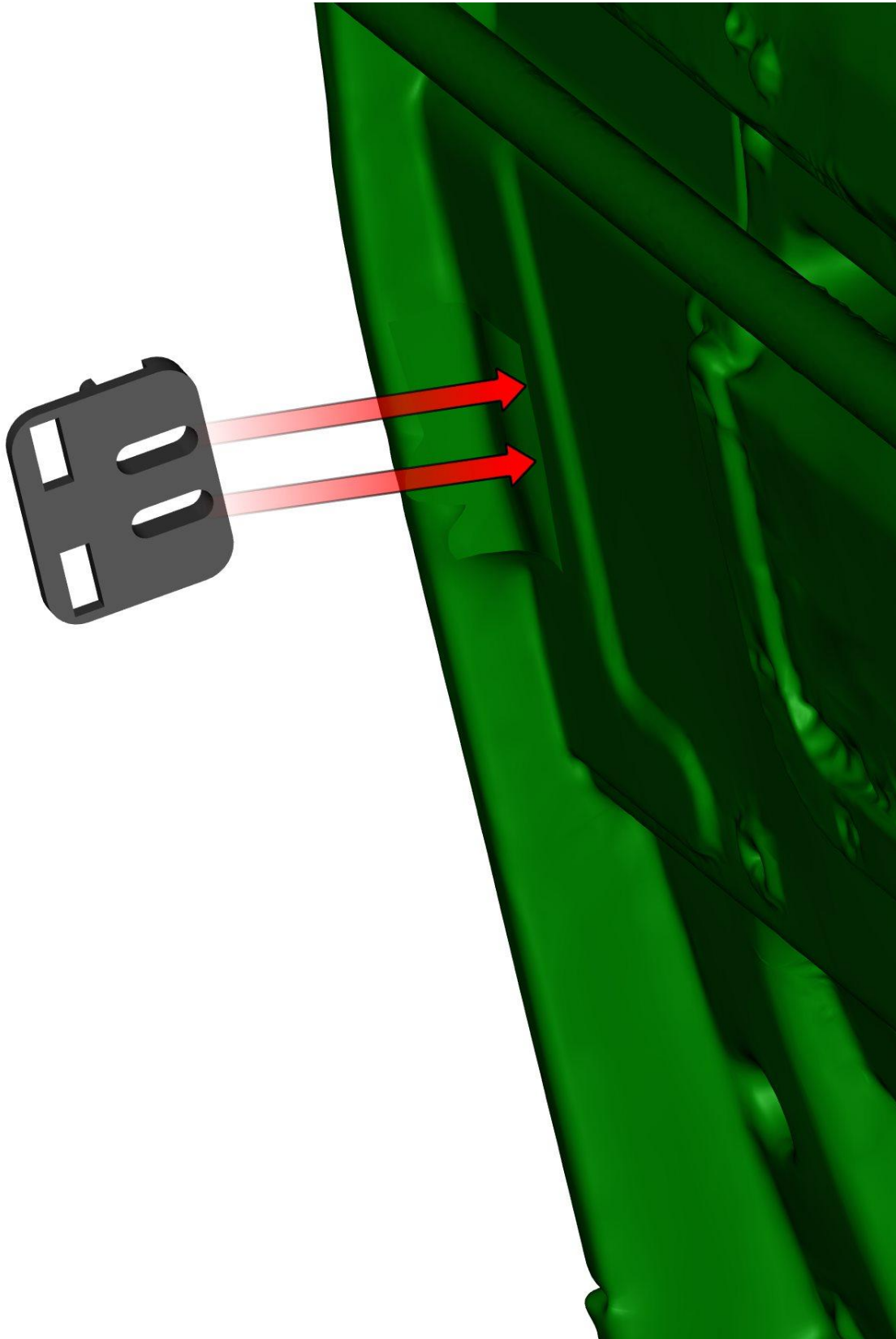


Fix bottom bracket with included fixing kit. (Even if u used extra bracket, fill the upper hole with fixing kit.)



71

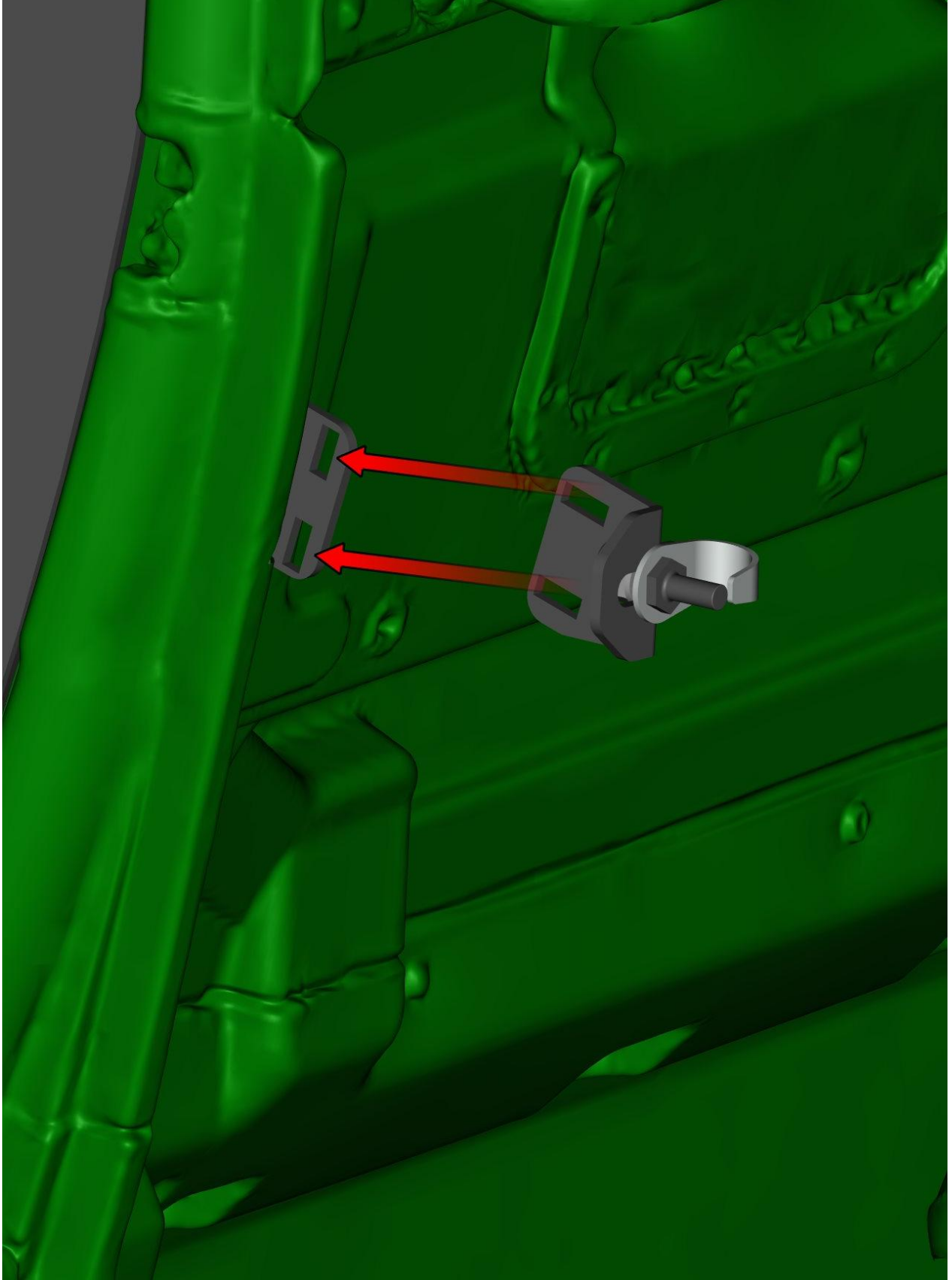
Install left rear door stop holder behind the drivers seat onto the original screws.



72

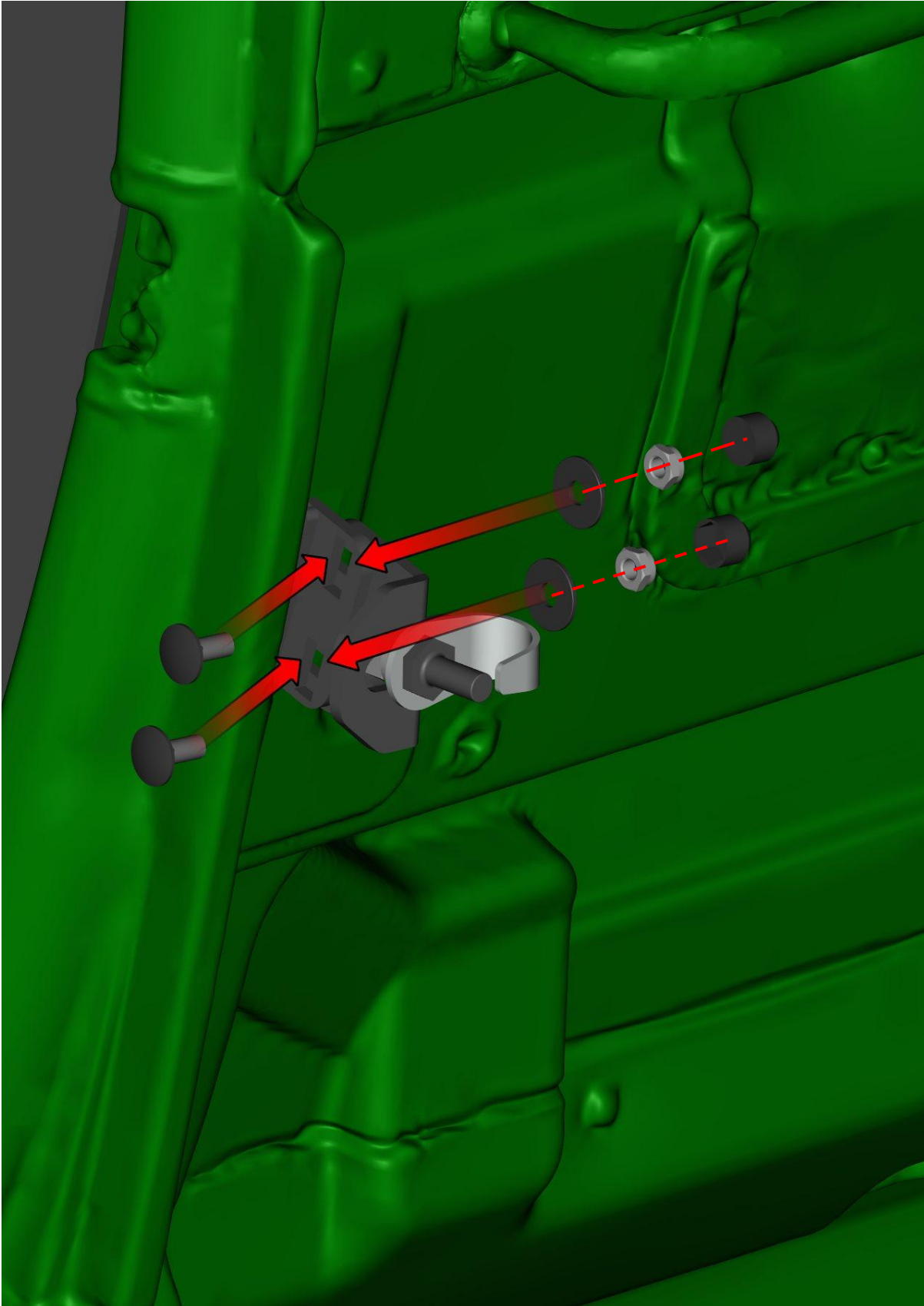


Place left rear door stop onto the door stop holder.



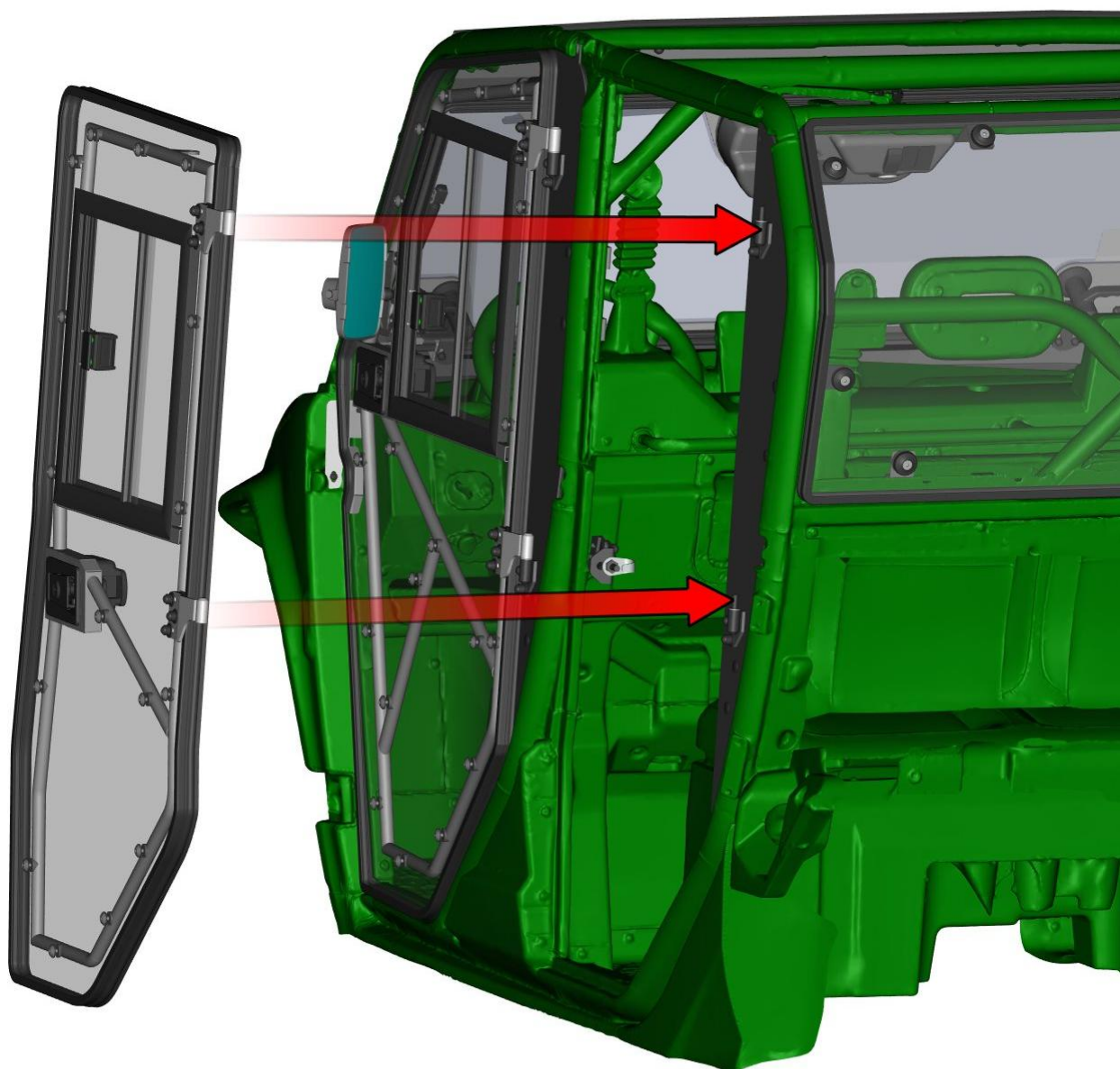
73

Fix door stop with door stop holder using included fixing kit.



74

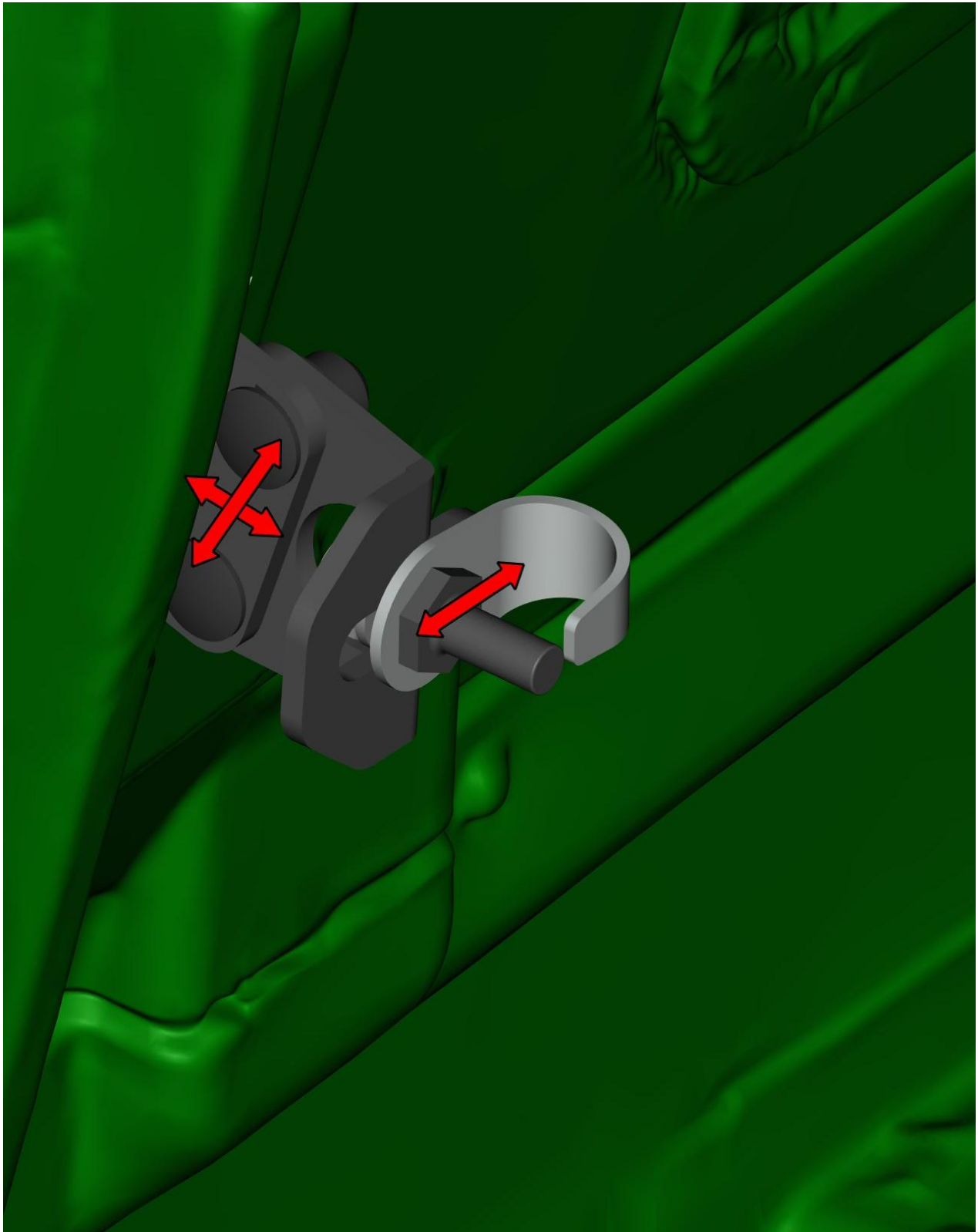
Lubricate hinge's pins and put left rear door onto the left rear door's base.



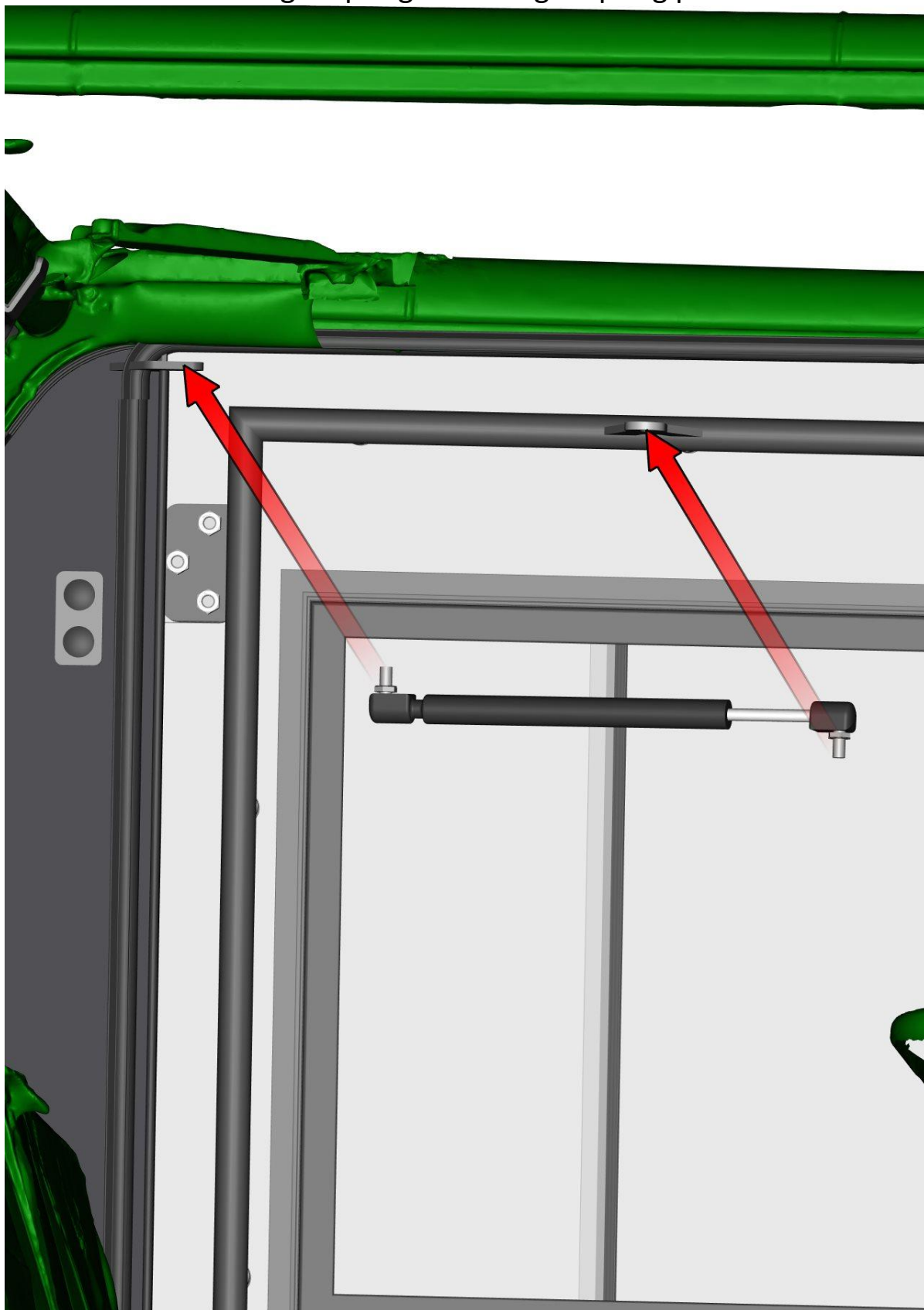
75

Adjust the door stop to the best position.

If you adjust the door stop correctly and close the door slowly you can hear two metallic clicks.

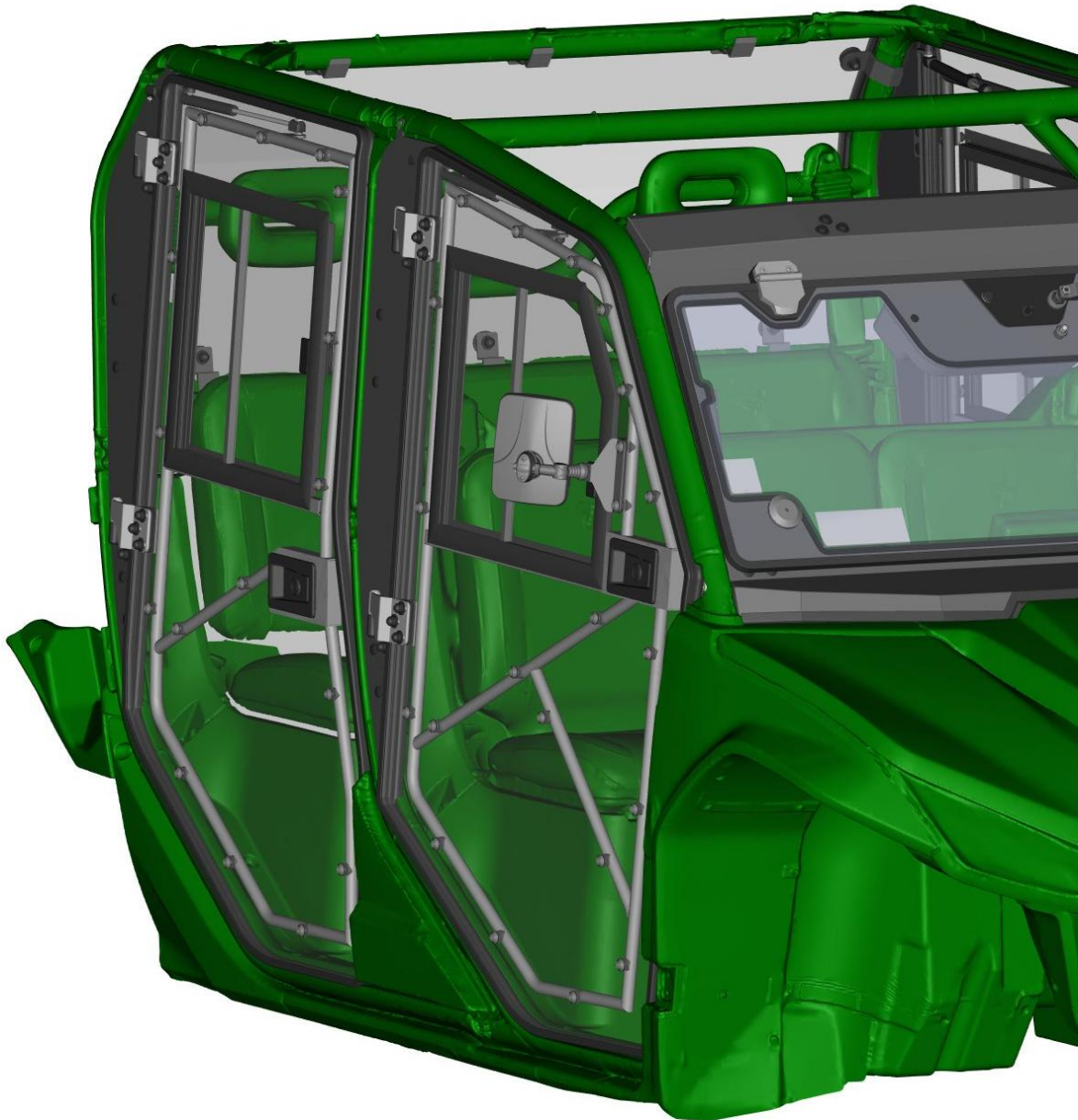


Insert gas spring into the gas spring pins.



77

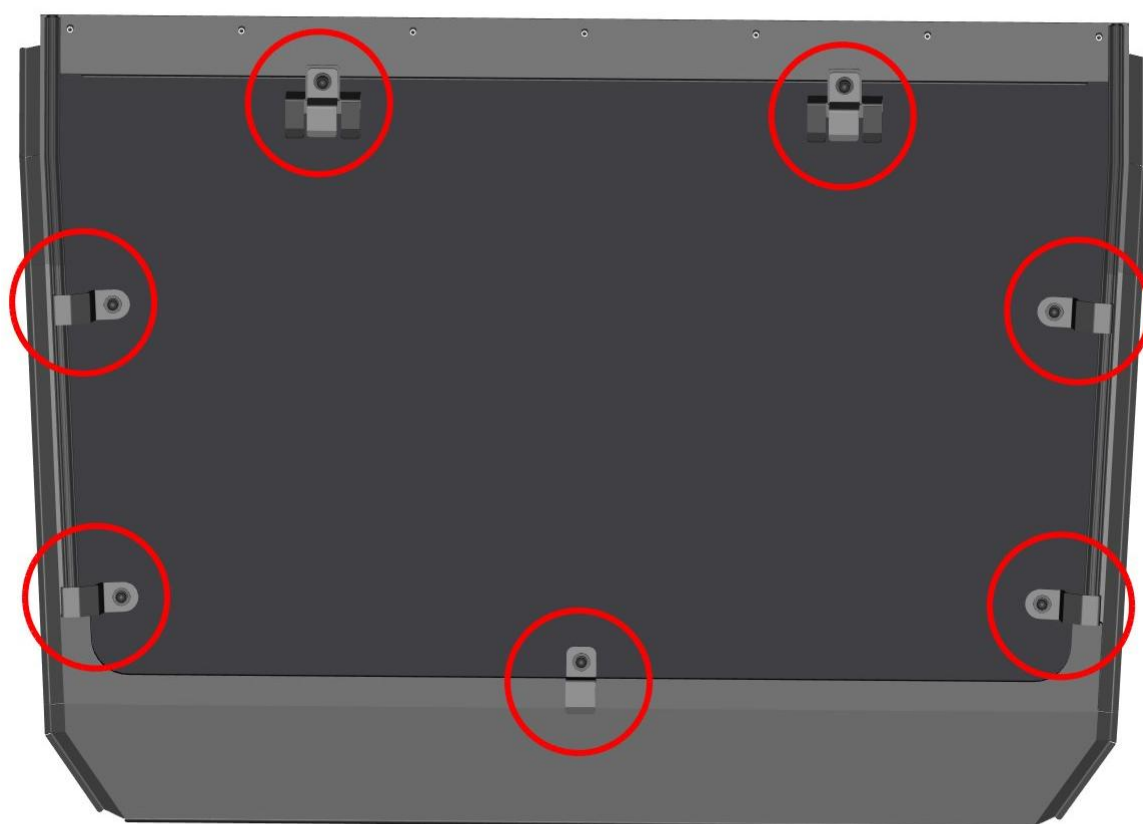
Repeat previous steps with right rear door assemblies.



78

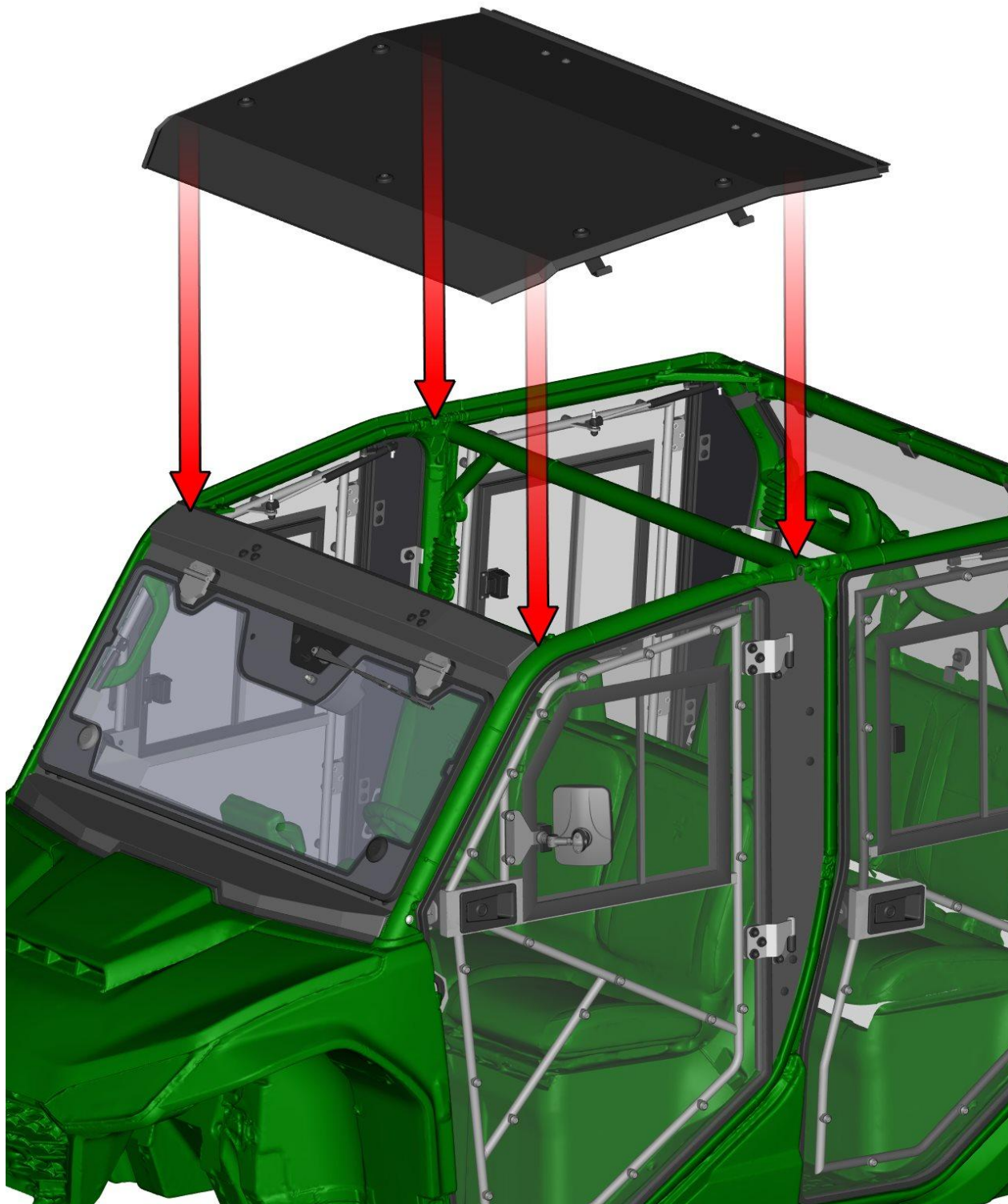
ROOF

Loosen all front roof brackets and turn them into the neutral position.



79

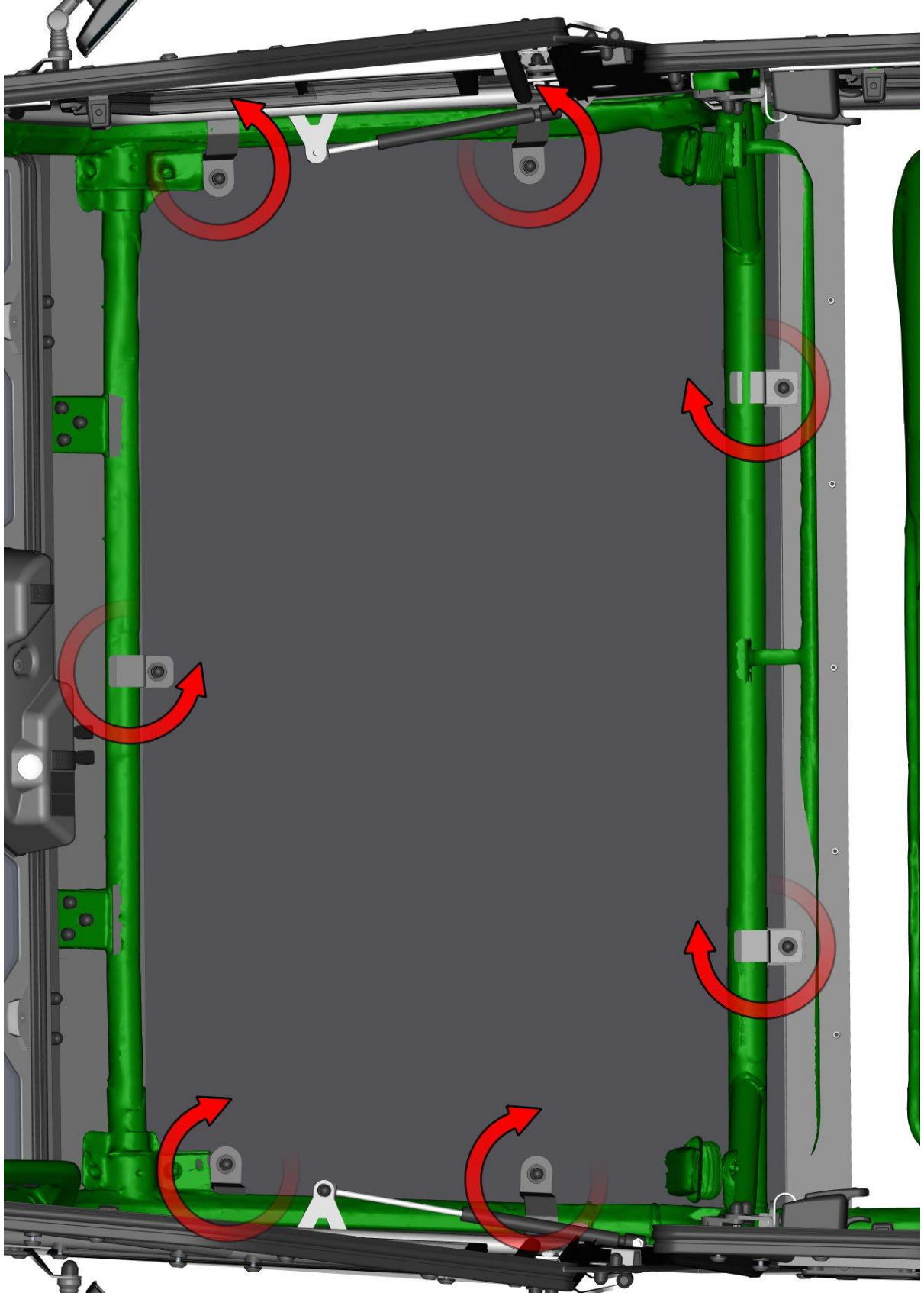
Place front roof panel on top of the UTV.



80



Turn roof brackets to the fixed position and tighten the nuts.



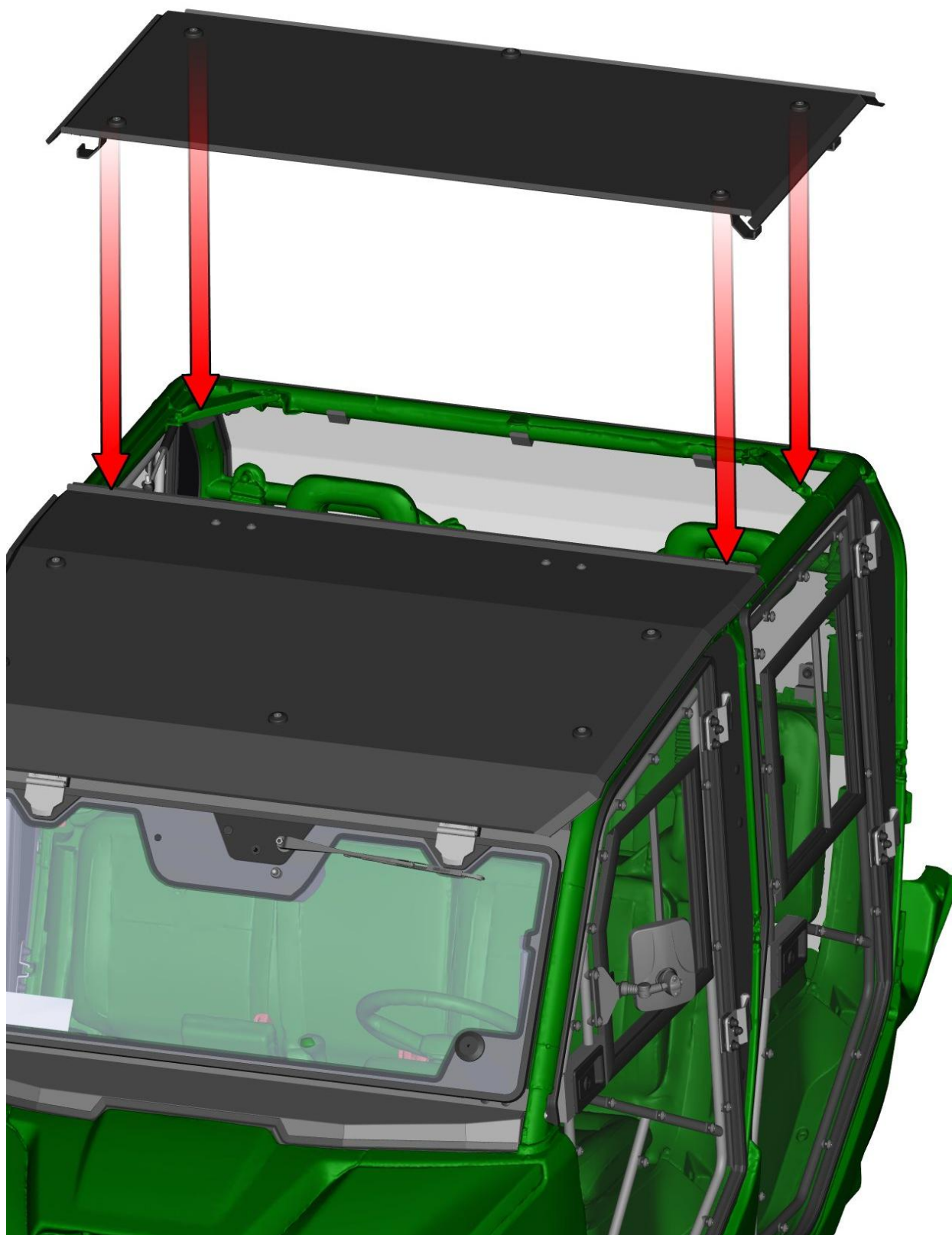
81

Loosen all rear roof brackets and turn them into the neutral position.



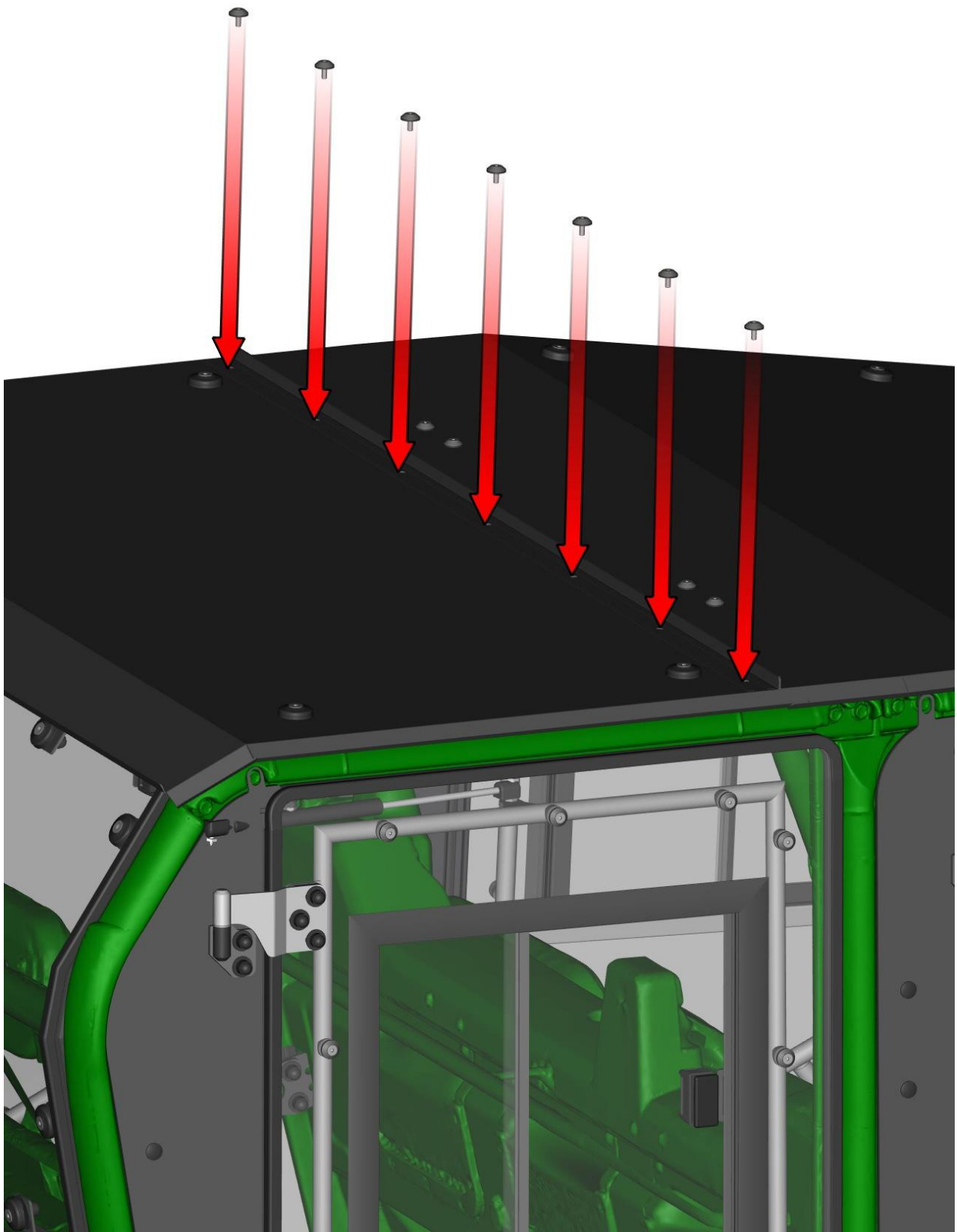
82

Place rear roof panel on top of the UTV.



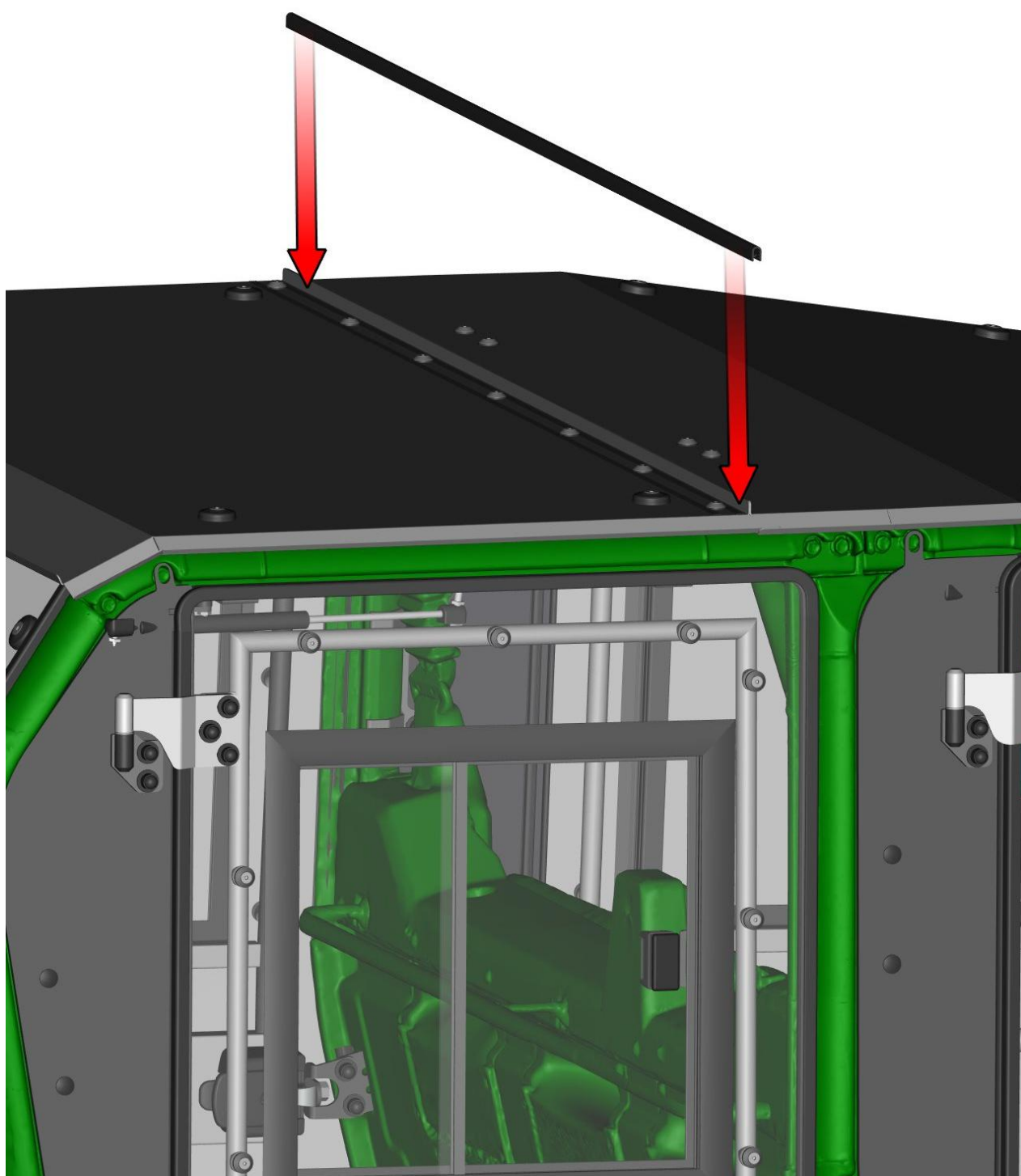
83

Fix both roof parts with included screws.



84

Cover edges where the roofs are connecting with rubber sealing.



85

# BOLT TORQUE

## BOLT TORQUE SPECIFICATIONS

### GENERAL TORQUE SPECIFICATION TABLE

Use the following torques when special torques are not given. These values apply to fasteners as received from suppliers, dry, or when lubricated with normal engine oil. They do not apply if special graphited or moly disulphide greases or other extreme pressure lubricants are used. This applies to both UNF and UNC threads. Remember to always use grade five or better when replacing bolts.

**IMPORTANT: On all PLATED GRADE 8 bolts, reduce torque 15% from listed bolt torque specification.**

SAE Grade No.		2				5				8*			
Bolt head identification mark as per grade. NOTE: Manufacturing Marks Will Vary													
		TORQUE		TORQUE		TORQUE		TORQUE		TORQUE		TORQUE	
Bolt Size		Pounds Feet		Newton-Meters		Pounds Feet		Newton-Meters		Pounds Feet		Newton-Meters	
Inches	Millimeters	Min.	Max.	Min.	Max.	Min.	Max.	Min.	Max.	Min.	Max.	Min.	Max.
1/4	6.35	5	6	7	8	9	11	12	15	12	15	16	20
5/16	7.94	10	12	14	16	17	20.5	23	28	24	29	33	39
3/8	9.53	20	23	27	31	35	42	48	57	45	54	61	73
7/16	11.11	30	35	41	47	54	64	73	87	70	84	95	114
1/2	12.70	45	52	61	70	80	96	109	130	110	132	149	179
9/16	14.29	65	75	88	102	110	132	149	179	160	192	217	260
5/8	15.88	95	105	129	142	150	180	203	244	220	264	298	358
3/4	19.05	150	185	203	251	270	324	366	439	380	456	515	618
7/8	22.23	160	200	217	271	400	480	542	651	600	720	814	976
1	25.40	250	300	339	406	580	696	787	944	900	1080	1220	1464
1-1/8	25.58	-	-	-	-	800	880	1085	1193	1280	1440	1736	1953
1-1/4	31.75	-	-	-	-	1120	1240	1519	1681	1820	2000	2468	2712
1-3/8	34.93	-	-	-	-	1460	1680	1980	2278	2380	2720	3227	3688
1-1/2	38.10	-	-	-	-	1940	2200	2631	2983	3160	3560	4285	4827

\*Thick Nuts must be used with Grade 8 bolts

### METRIC BOLT TORQUE SPECIFICATIONS

Size of Screw	Property Class	Course Thread			Fine Thread		
		Pitch (mm)	Pounds Feet	Newton-Meters	Pitch (mm)	Pounds Feet	Newton-Meters
M6	5.6	1.0	3.6-5.8	4.9-7.9	-	-	-
	8.8		5.8-9.4	7.9-12.7		-	-
	10.9		7.2-10	9.8-13.6		-	-
M8	5.6	1.25	7.2-14	9.8-19	1.0	12-17	16.3-23
	8.8		17-22	23-29.8		19-27	25.7-36.6
	10.9		20-26	27.1-35.2		22-31	29.8-42
M10	5.6	1.5	20-25	27.1-33.9	1.25	20-29	27.1-39.3
	8.8		34-40	46.1-54.2		35-47	47.4-63.7
	10.9		38-46	51.5-62.3		40-52	54.2-70.5
M12	5.6	1.75	28-34	37.9-46.1	1.25	31-41	42-55.6
	8.8		51-59	69.1-79.9		55-68	75.9-92.1
	10.9		57-66	77.2-89.4		62-75	84-101.6
M14	5.6	2.0	49-56	66.4-75.9	1.5	52-64	70.5-86.7
	8.8		81-93	109.8-126		90-106	122-143.6
	10.9		96-109	130.1-147.7		107-124	145-168
M16	5.6	2.0	67-77	90.8-104.3	1.5	69-83	93.6-112.5
	8.8		116-130	157.2-176.2		120-138	162.6-187
	10.9		129-145	174.8-196.5		140-158	189.7-214.1
M18	5.6	2.0	88-100	119.2-136	1.5	100-117	136-158.5
	8.8		150-168	203.3-227.6		177-199	239.8-269.6
	10.9		175-194	237.1-262.9		202-231	273.7-313
M20	5.6	2.5	108-130	146.3-176.2	1.5	132-150	178.9-203.3
	8.8		186-205	252-277.8		206-242	279.1-327.9
	10.9		213-249	288.6-337.4		246-289	333.3-391.6

DFK Cab, s.r.o.  
Za Olšávkou 391  
Uherské Hradiště 686 01  
Czech Republic

Tel: +420 572 520 061,3  
Fax: +420 572 520 071  
E-mail: [dfk@dfk.cz](mailto:dfk@dfk.cz)

[www.dfk.cz](http://www.dfk.cz)  
[dfk.cz/en/navody-katalog.htm](http://dfk.cz/en/navody-katalog.htm)  
password: DFKsupport



## **Declaration of Conformity**



**DFK Cab, s.r.o.**

Za Olšávkou 391

686 01 Uherské Hradiště

Česká republika / Czech Republic