

YARBO

# QUICK START GUIDE

*YARBO SNOW BLOWER*

---

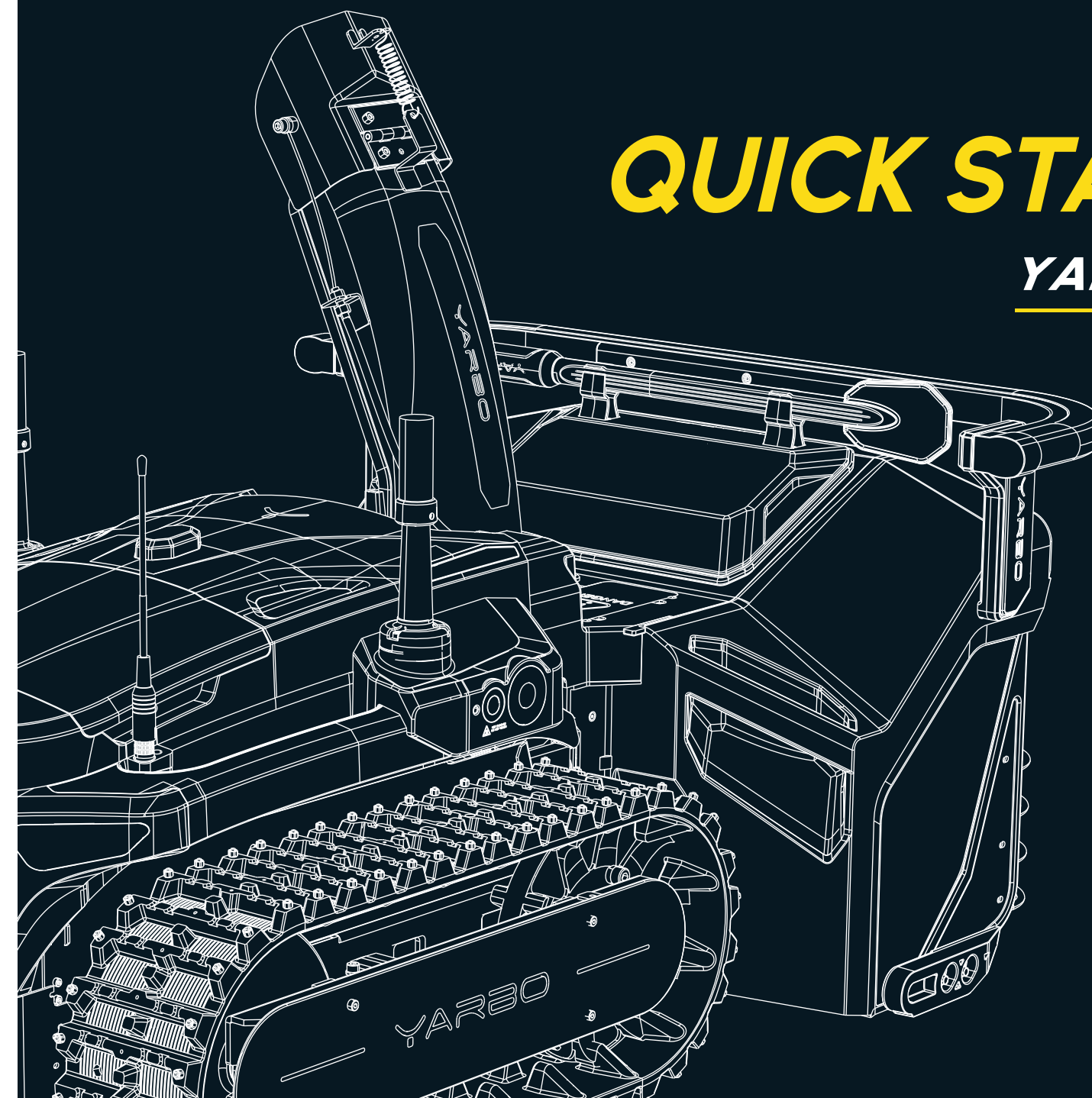
2024



User Manual

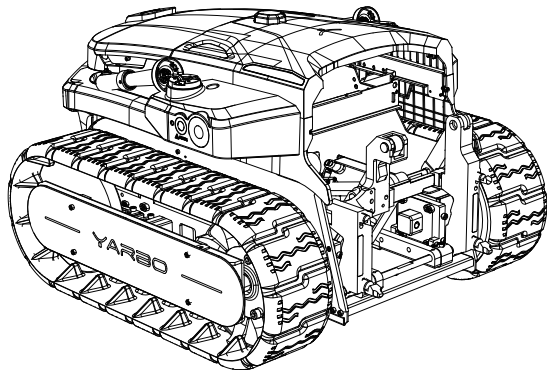


Video Assembly Guide

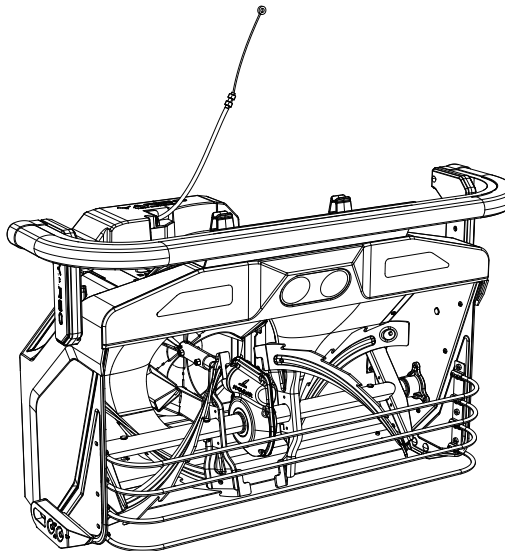


Preparing Necessary Parts and Tools

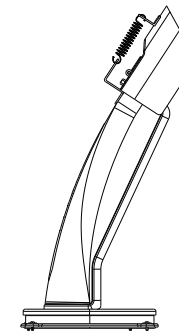
# Step 1: Preparing Accessories and Tools



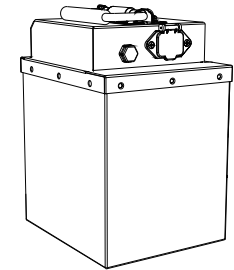
Yarbo Core



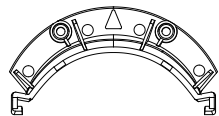
Snow Blower Module



Snow Chute



Battery



Snow Plume Diverter



Clean-out tool



HaLow Antenna  
for Rover



Allen Key #2



Allen Key #4



Socket #2



Simple Wrench



x4

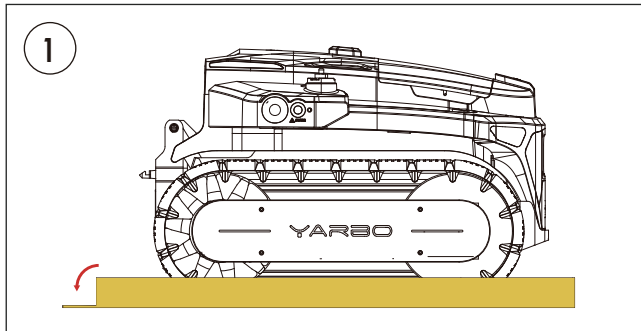
Chute Connection  
Bolts



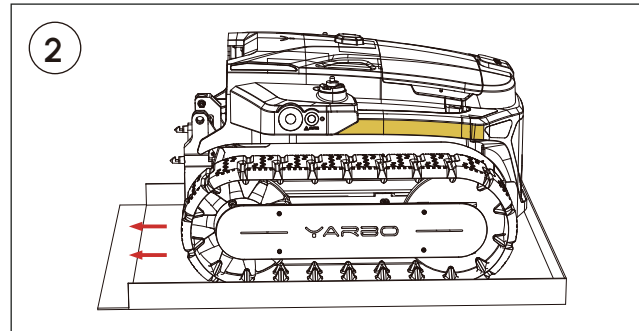
x2

Plume Diverter  
Connection Bolts

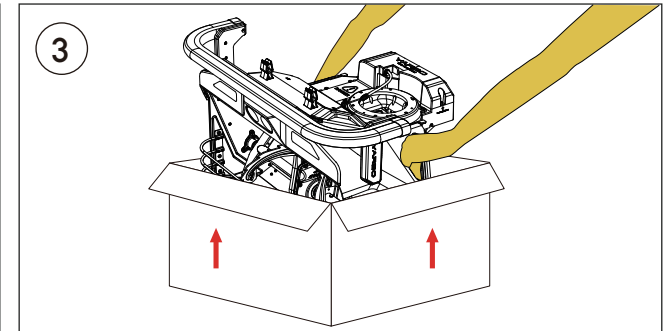
## Step 2 : Assembling Snow Blower



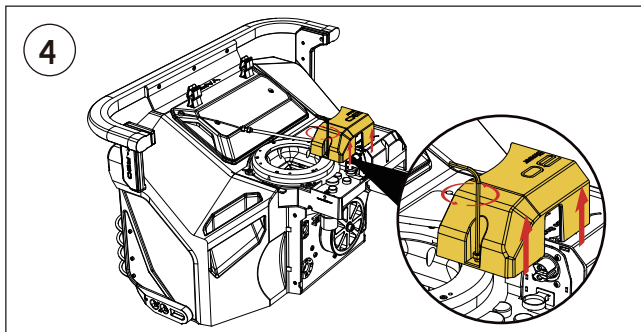
**Cut** the box along the cutting line on the bottom of the packaging box.



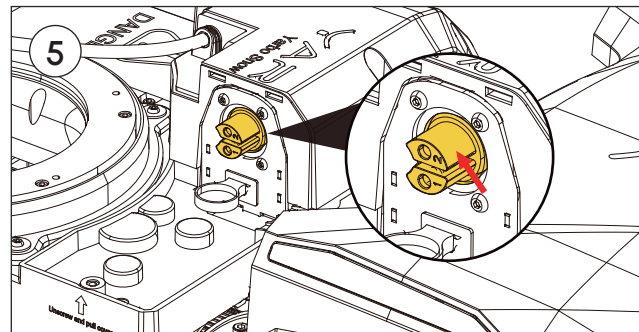
**Grasp** the lifting handles of the Yarbo Core and **push** the Yarbo Core out from the packaging box.



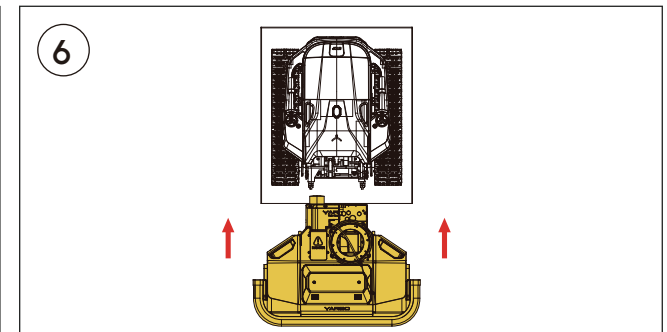
Carefully **lift** the Snow Blower Module out of the packaging box by grasping the handle at the **two sides** of the module.



**Remove** cable protection cover by unscrewing the one connection screw using Allen Key#2.

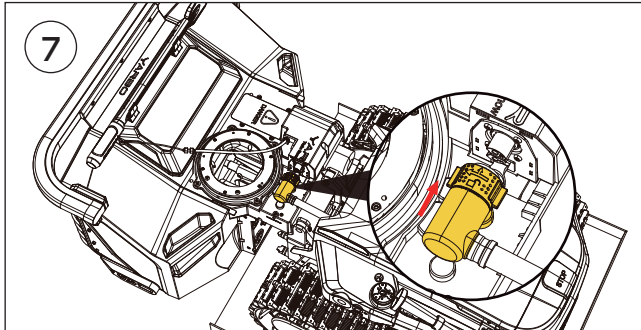


**Locate** the connection port under the removed protection cover.

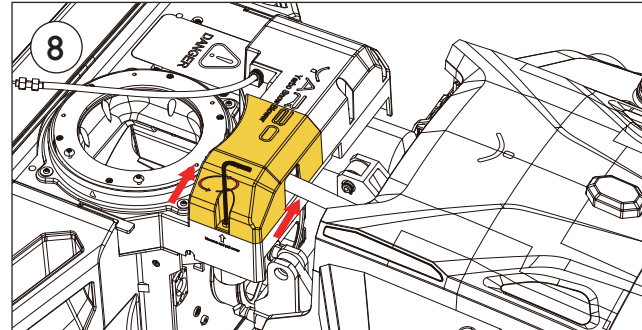


**Position** the Snow Blower Module next to the Yarbo Core and make sure they are close to each other. Do not connect these two parts now.

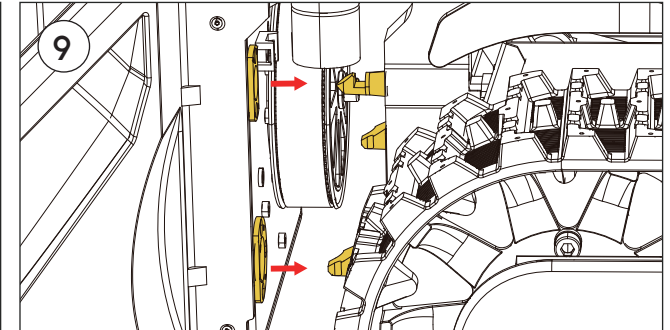
## Assembling Snow Blower



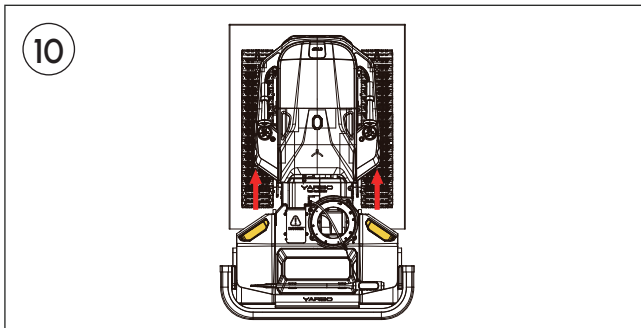
**Locate** the connection cable from the Yarbo Core and forcefully insert the connection cable to the port on the Snow Blower Module until you hear or feel a click.



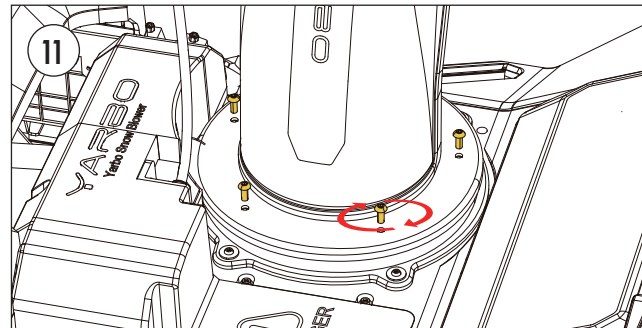
**Place** the protection cover back to its original position by putting it down on the track and sliding it to the end. Screw the connection scrow to tighten the cover using Allen Key#2.



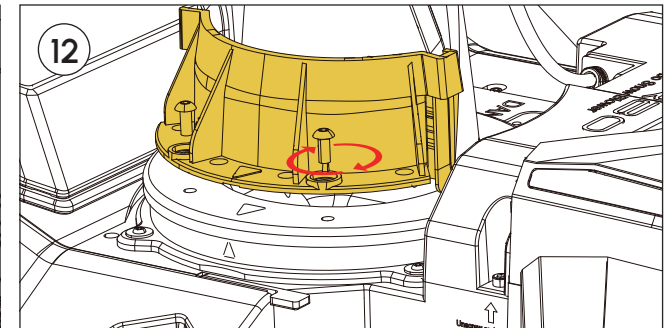
**Locate** the four shafts and holes. Do not push the two parts together right now.



Slightly **raise** the Snow Blower Module. Gently push together two parts until you hear a click.

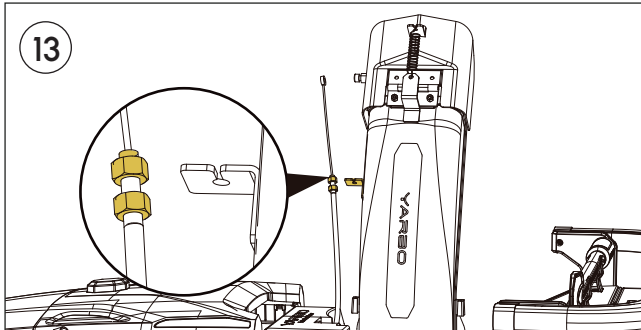


**Locate** the four Snow Chute Connection Bolts and the Snow Chute in the package. **Tighten** the **smaller bolts** to fasten the Snow Chute using Allen Key#1.

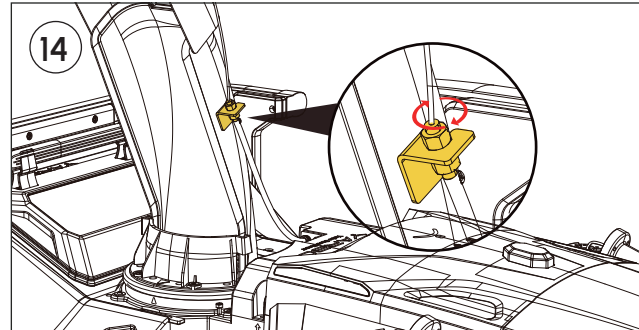


**Locate** the Snow Plume Diverter and the **two** Snow Plume Diverter Connection Bolts. **Tighten** the bolts to fasten the Snow Plume Diverter using Allen Key#2.

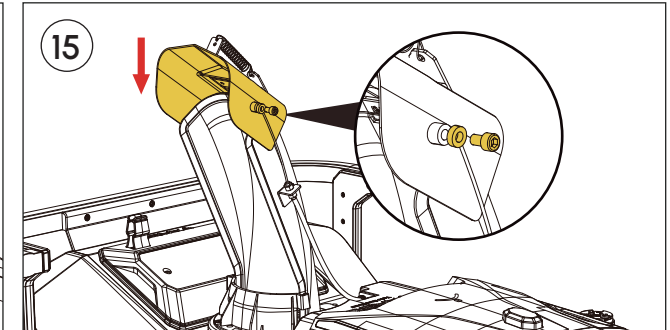
Assembling Snow Blower



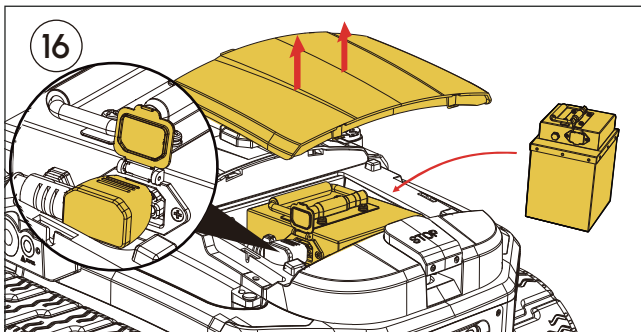
**13**  
**Locate** the cable shown in the picture. Loosen the **top one** of the two nuts in the middle with Simple Wrench.



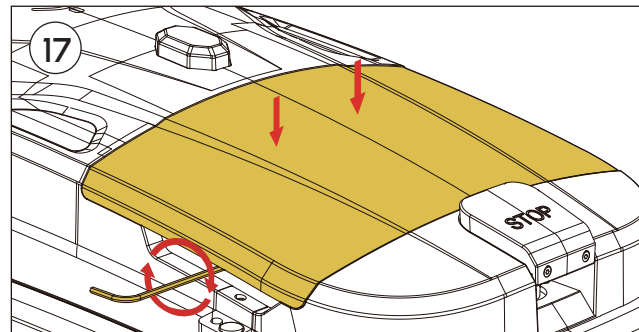
**14**  
**Place** the cable in the open loop and screw the top nut with Simple Wrench to tighten the cable.



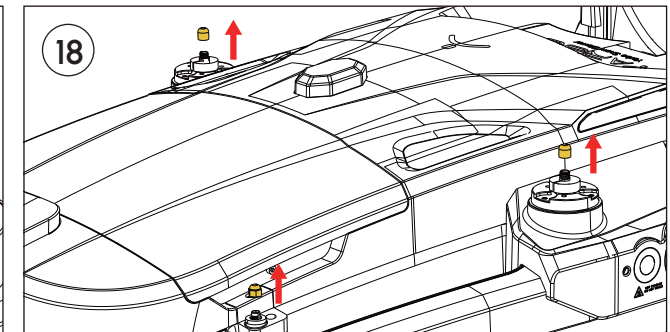
**15**  
**Unscrew** the bolt shown in the picture. Press down the deflector on the chute. Insert the bolt through the ring at the end of the cable, and screw the bolt back in place using Allen Key#4.



**16**  
**Remove** the cover by grasping both sides with your hands and place the battery inside. **Connect** the cable from the Yarbo Core to the battery.

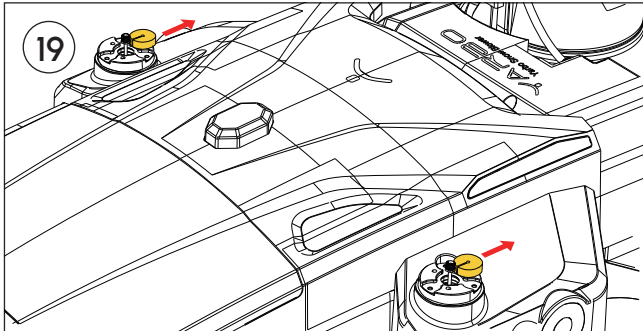


**17**  
**Place** the battery cover back in place and screw the Anti-theft Bolts on both sides using **Battery Cover Wrench** provided in the package. **Lift** the Emergency Stop Button.

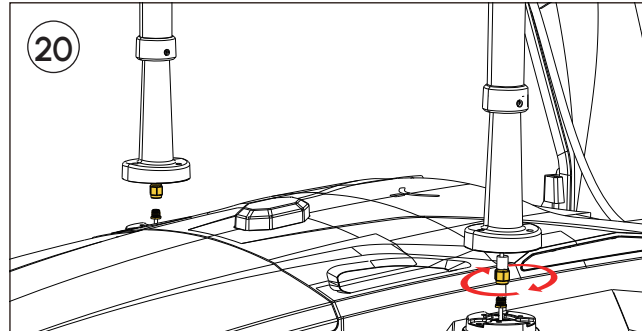


**18**  
**Locate** the white and red screw caps on the RTK Antenna Moubts and remove them.

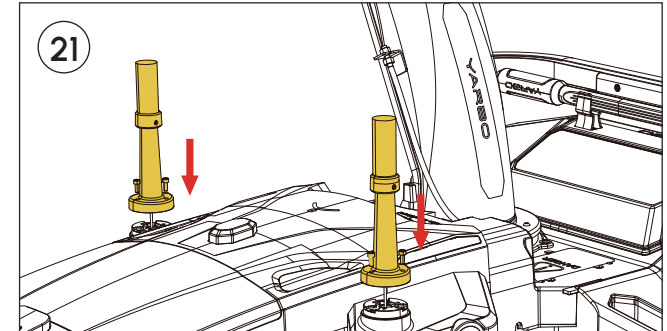
## Assembling Snow Blower



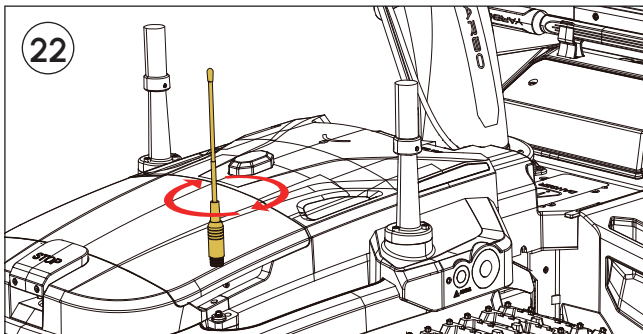
**Locate** the rubber rings on the RTK Antenna Mounts and remove them.



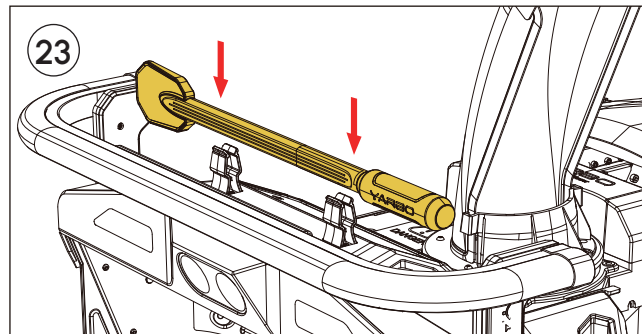
**Take** out the High RTK Antennas and align them with the connection shaft on Yarbo Core..



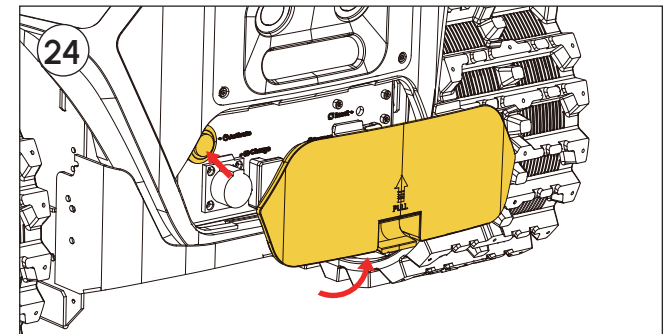
**Straighten** the RTK antennas and locate six RTK Antenna Mount Bolts provided in the package. **Screw** the six bolts using Allen Key#2.



**Locate** the HaLow Antenna for Rover provided in the package and install the antenna by screwing it into the place shown in the picture.



**Place** the snow shovel in front of the snow blower.



**Remove** the rear cover. **Press** the power button to turn on Yarbo. Place back the rear cover.

## Step 3: Installing Yarbo App

The Yarbo App is a professional application that empowers you to manage and control your Yarbo anytime, anywhere, elevating your snow cleaning experience to new heights. With its impressive features, you can easily set up work schedules, define multiple working areas and no-go zones, and monitor Yarbo's operating status. Additionally, you can receive the latest firmware updates and access instruction manuals, video tutorials, FAQs, and more through the App.

### Follow these simple steps to install and set up the Yarbo App:

- ① Download the Yarbo App by scanning the QR code below or searching on the app store.
- ② After installation, log in to your Yarbo account. If you don't have one, please register.
- ③ Follow the steps of the first-time user guide on the app. If there are few steps that are hard to understand.

**\*Note:** Once a device is associated with a Yarbo account, it cannot be linked to a new account. However, you can invite others to use your Yarbo through Yarbo Sharing in the app.

iOS



Android

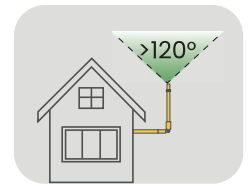


Installing the Data Center

## Step 4 Installing the Data Center

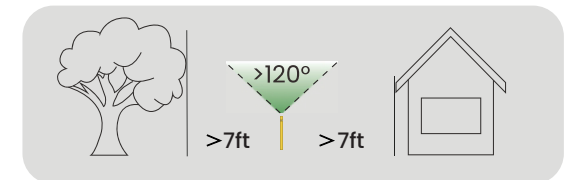
### Method 1 Roof and Wall Installation(Recommended)

Make sure there's a clear view of the sky with at least 120 degree of unobstructed space. The reason we recommend this method is that the higher the Data Center is placed, the more stable RTK signal it will receive.



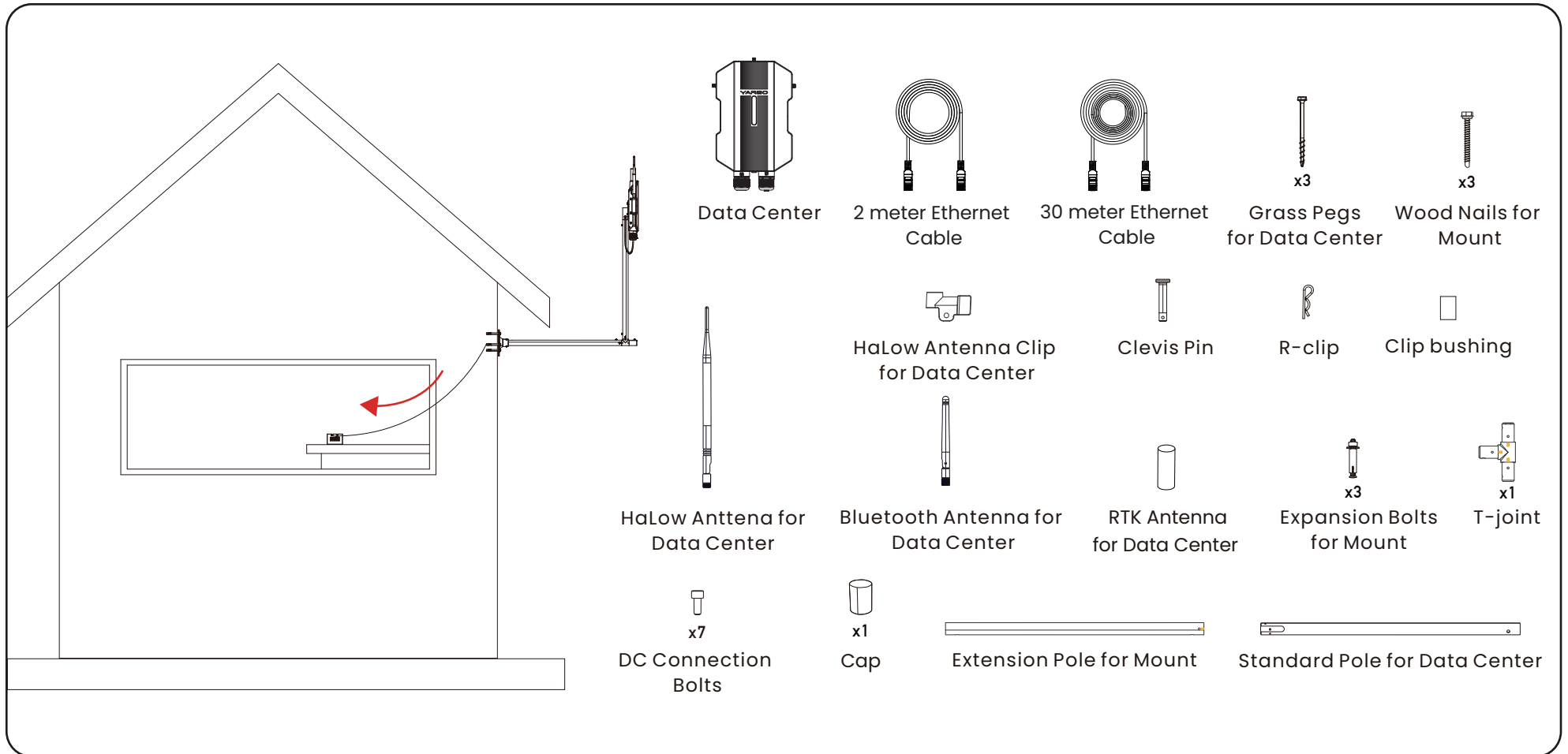
### Method 2 Ground Installation

Make sure there's a clear view of the sky with at least 120 degree of unobstructed space.





Installation Preparation

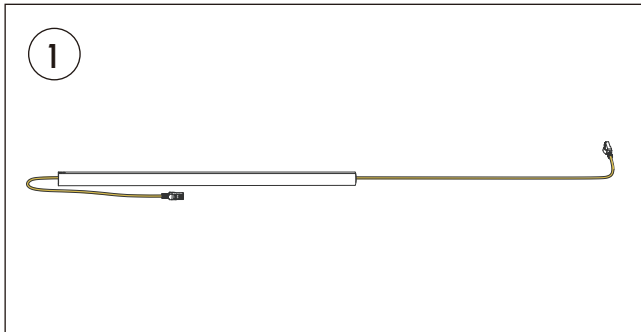


## Data Center Installation

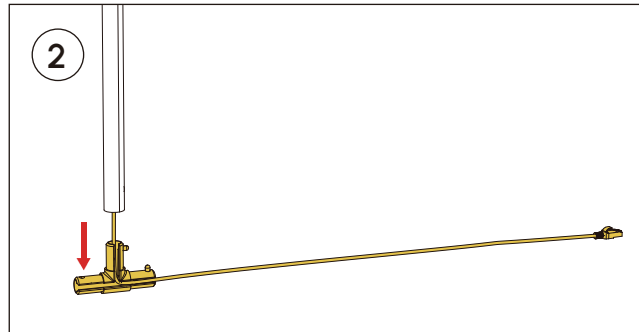
### Data Center Installation

 NOTICE

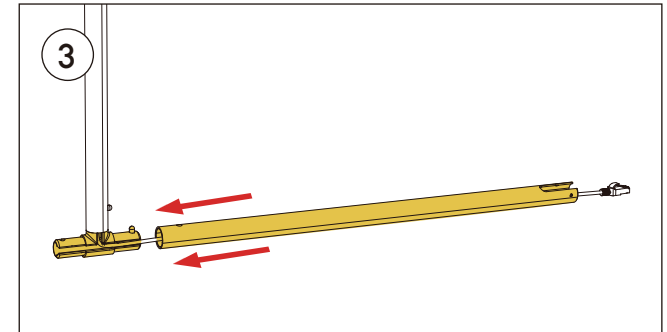
■ Please make sure that the place you choose for insatallation has a clear of the sky with at least 120 degree of unobstructed space.



**Locate** the 30m Ethernet Cable and extension pole provided in the Yarbo Core box. **Thread** the Ethernet cable through the extension pole.

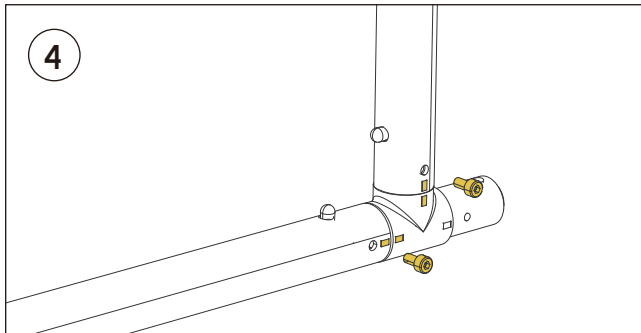


**Press** the cable into the crevice of a T-joint as shown in the picture. **Connect** the Extension Pole to the T-joint by pressing the round button on the T-joint and **align** this button with the hole in the Extension Pole.

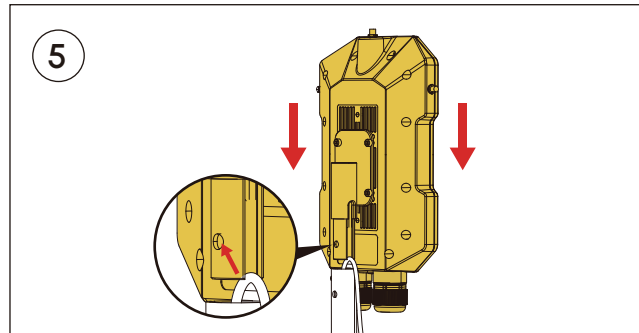


**Press** the round button on the T-joint and **align** it with the hole in the Standard Pole to connect two parts and secure the connection.

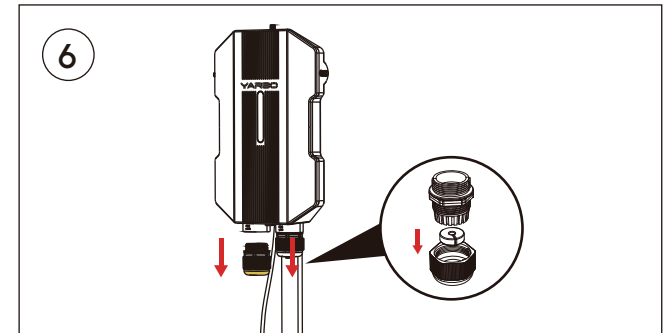
Data Center Installation



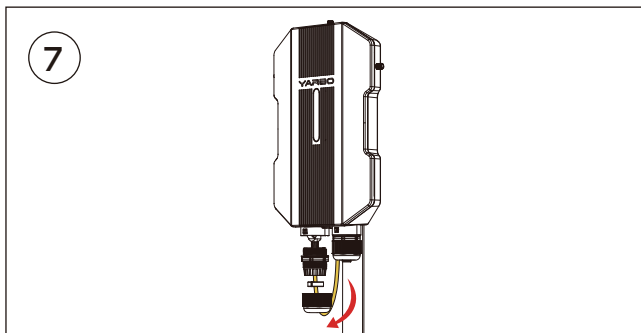
**Screw** in the two connection bolts to stabilize the T-joint, Standard Pole, and Extension Pole.



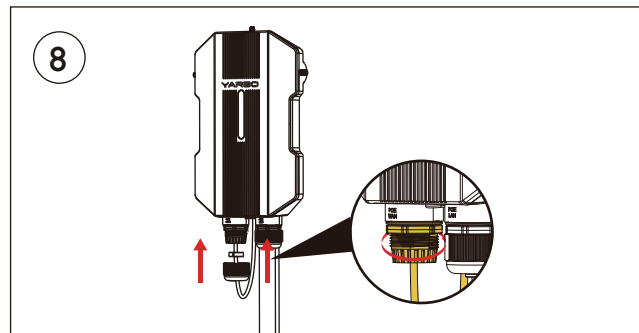
**Connect** the Data Center to the Extension pole (press the small button on the Data Center and align this button with the hole in the pole). **Pull out** a small section of the cable to ensure it can be reached and connected to the Ethernet POE WAN port.



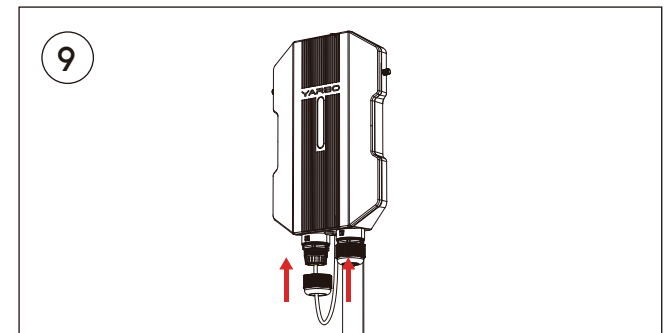
Carefully **unscrew** the entire gland set on the WAN port of the Data Center. **Remove** the gland cover and **push out** the black rubber plug.



**Thread** the Ethernet Cable through the gland and its cover. **Locate** the opening of the black rubber plug and **snap** it onto the Ethernet Cable.

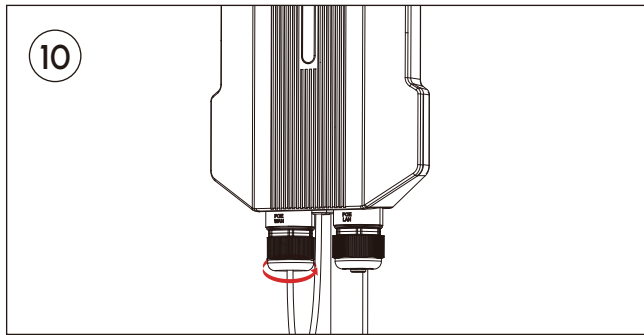


**Connect** the Ethernet Cable to the WAN port and **tighten** the gland by screwing it in.

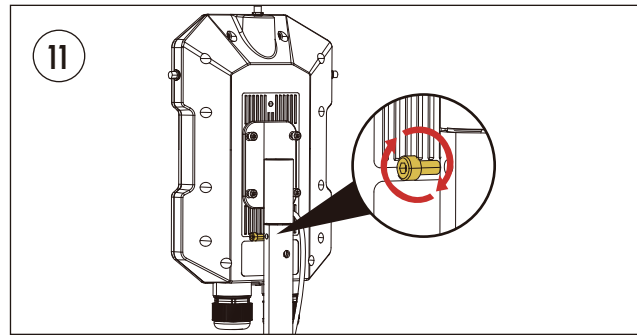


**Push** the black rubber plug into the gland.

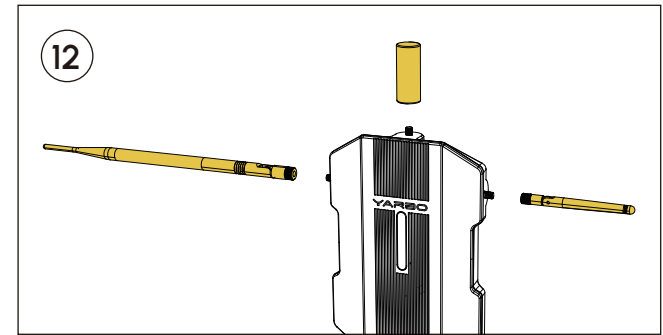
## Data Center Installation



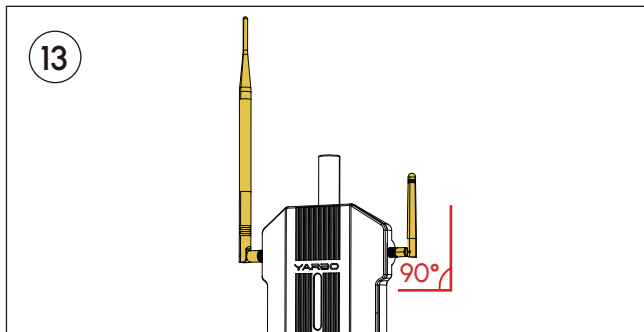
**Screw** and **tighten** the cover of the gland.



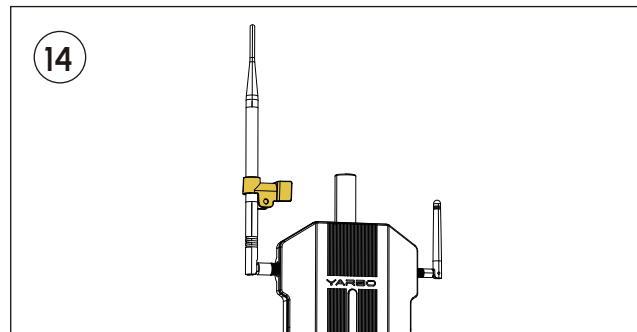
**Screw** one connection bolt to fasten the connection part between the Data Center and the Extension Pole.



**Locate** the three antennas provided in the Yarbo Core box and securely **tighten** them.



**Fold** the HaLow Antenna and Bluetooth Antenna at a 90-degree angle, directing them upwards towards the sky.



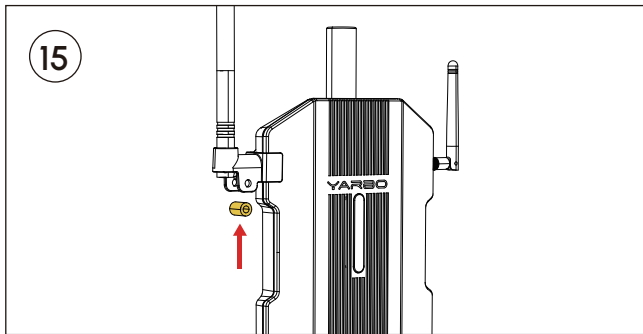
**Locate** the HaLow Antenna Clip through the HaLow Antenna.



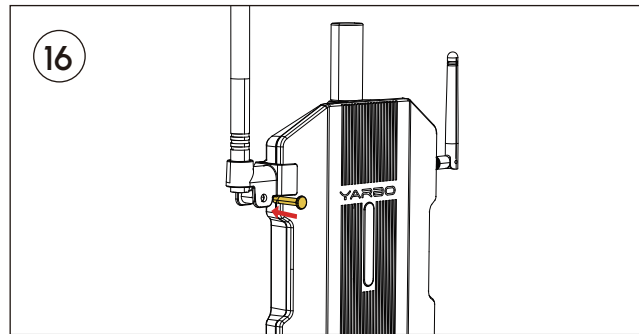
### NOTICE

- If it is impossible to drill through the wall or other hard material, the cable can be dragged out from the side of the mount.

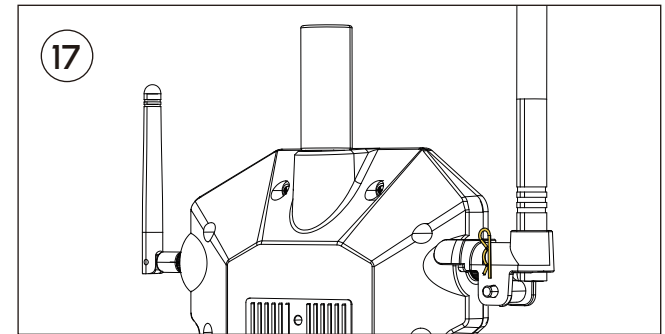
Data Center Installation



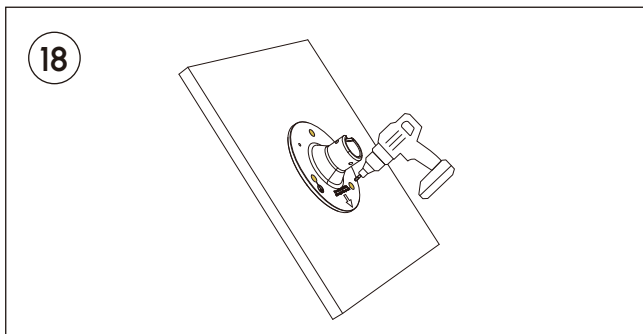
**Move** the HaLow Antenna Clips to the bottom of the HaLow Antenna and **snap** the Data Center. Then put on the Clip bushing.



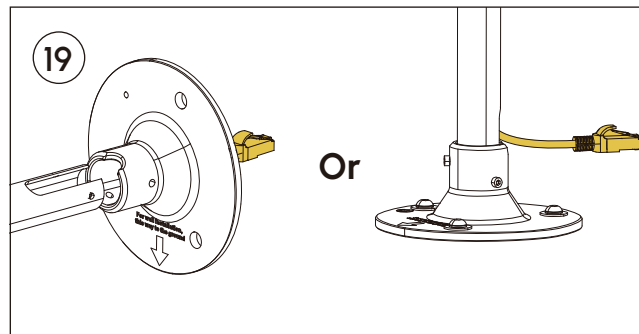
**Tighten** the Clevis Pin to ensure that the antenna is secure.



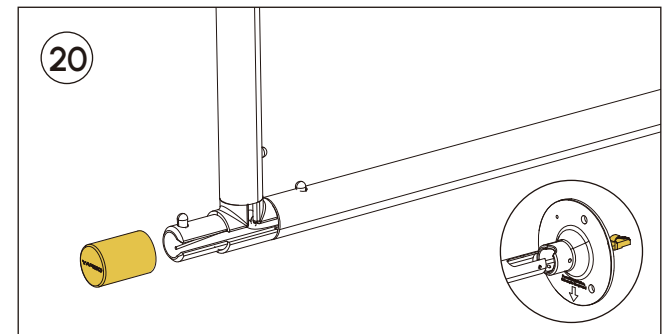
**Pass** the R-clip through the holes in the Clevis Pin, making sure the Clevis Pin are secure.



**Position** the mount on the roof with Wood Nails for Wood (Recommended) and mark the locations for four holes (5/16" or 8mm). **Drill** the holes, ensuring that the center hole is drilled to an adequate depth to allow the Ethernet Cable to be threaded into the house for router connection.

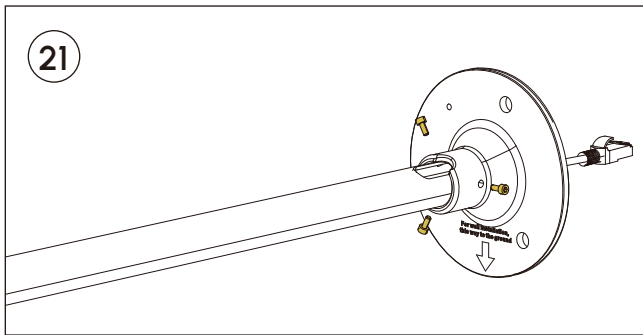


**Thread** the Ethernet Cable through the middle hole of the mount, or **pull out** the Ethernet Cable through the opening or gap in the pole carefully.

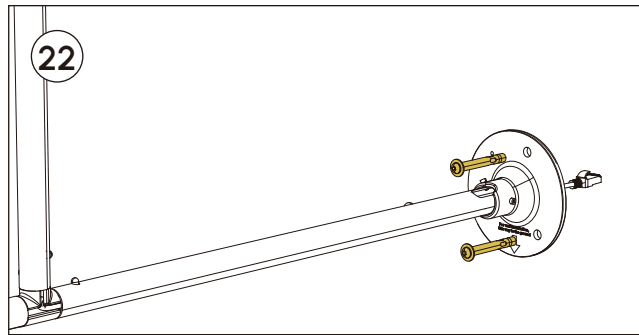


**Attach** the cap securely to the side of the T-joint.

### Ethernet Cable Connection



**Screw** in three Connection Bolts for Pole to stabilize the mount and Standard Pole.

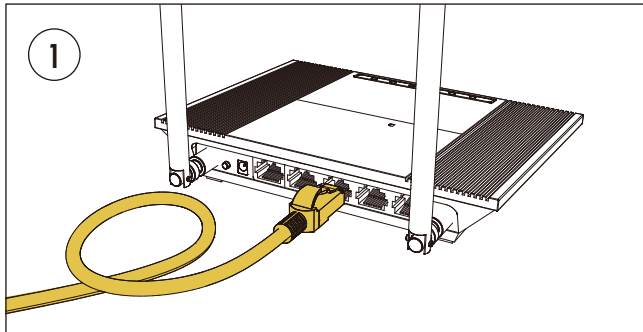


**Secure** the mount by **fastening** the three Connection Bolts for Pole. Use wood screws for wooden surfaces, expansion bolts for hard surfaces like concrete or walls and grass pegs for lawns.

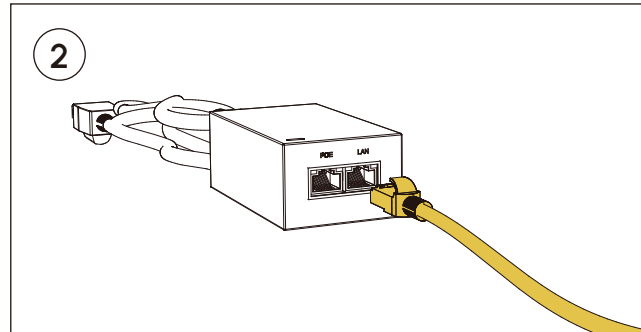
#### WARNING

- When installing the Data Center Set on the roof, exercise extreme caution. Ensure compliance with local regulations regarding working at heights and always use appropriate safety equipment.

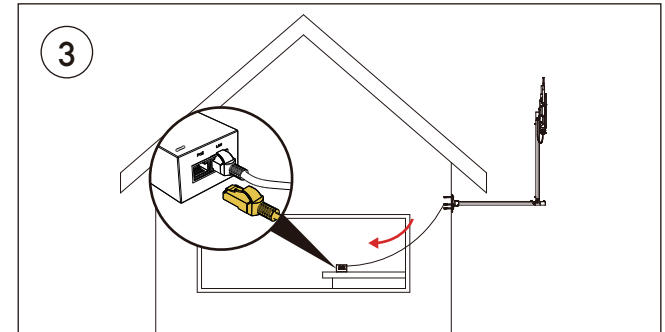
## Ethernet Cable Connection



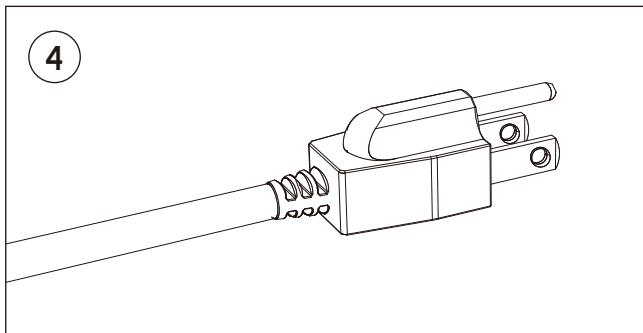
**Locate** the 2-meter long Ethernet Cable and the POE power adapter provided in the Yarbo Core Box, and **connect** one end of the Ethernet Cable to the LAN port on the router.



**Connect** the other side of the Ethernet cable to the LAN port of POE power adapter.








**Pull** out the 30-meter Ethernet Cable that has been threaded through the Data Center setup. Connect one end to the POE port of the POE power adapter and the other end to the POE WAN port of the Data Center.



**Insert** the plug of the power adapter into the electrical outlet.

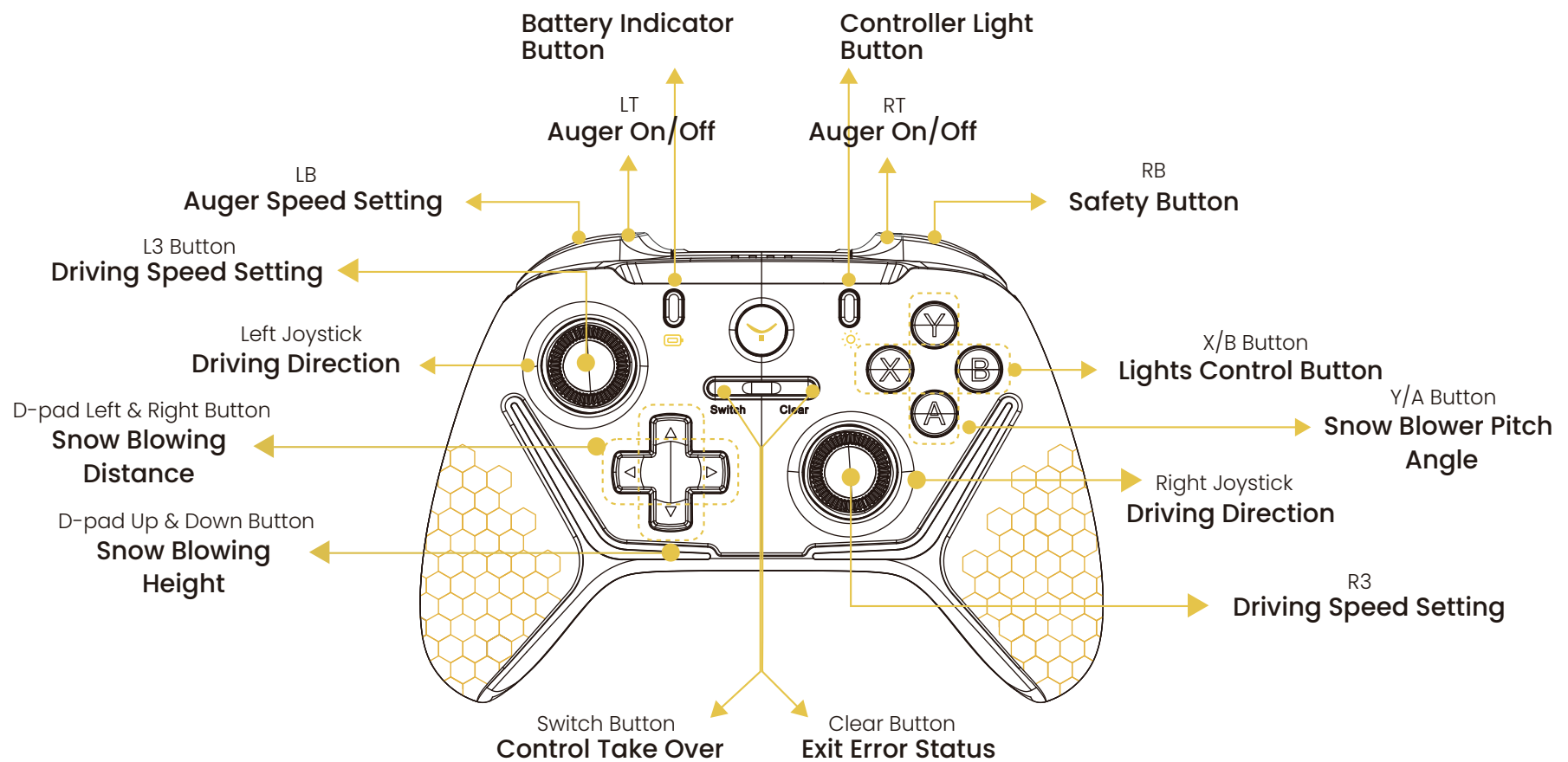
Data Center Installation

Data Center Signal Lights

LED Indicator	Status	Description	Action
 Solid Green	Normal	1. Normal RTK Signal 2. Normal Internet Connection	/
 Flashing Green	Internet abnormal	1. Normal RTK Signal 2. No Internet Connection	Check the status of Internet connection
 Flashing Red	RTK Signal abnormal	1. No RTK Signal	Check cable connection is correct, inspect if RTK antenna is broken or loose
 Flashing Blue	Pairing mode	1. Pairing mode activated	/
 Solid Blue	Pairing successful	1. Pairing is successful	/



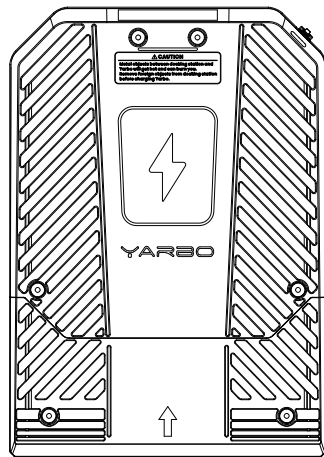
## Step 5: Applying Physical Controller



Installing Docking Station

## Step 6: Installing Docking Station

### Preparing Necessary Parts and Tools



Docking Station Charging Unit



x12  
Grass Pegs



x12  
Expansion Bolts  
for Docking Station



Power Cable for  
Docking Station

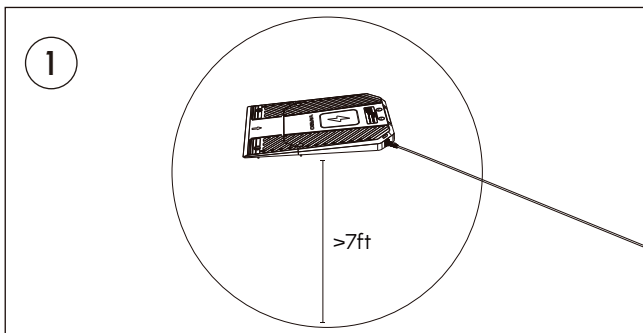


Long Cable Ramp

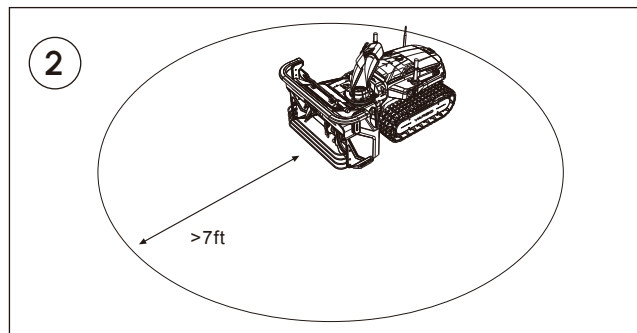


Short Cable Ramp

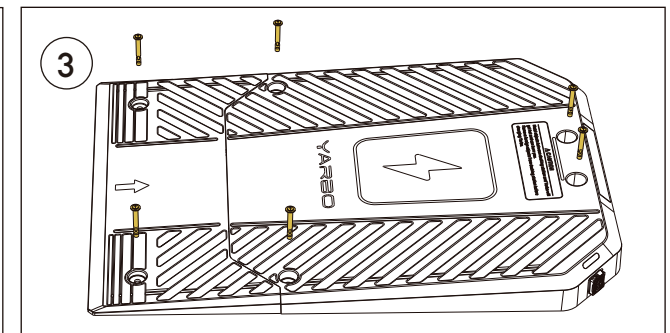
## Installing the Docking Station



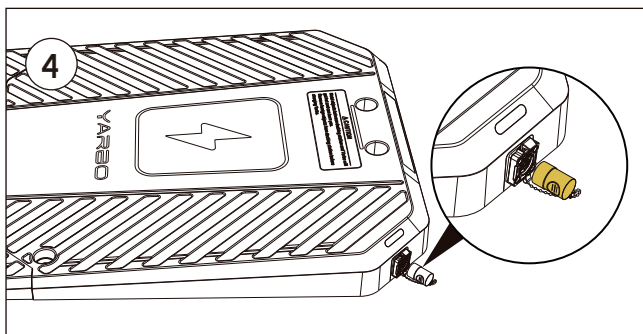
Ensure the installation location for the Docking Station has at least **7 feet** of clearance in all directions. Before proceeding, make sure you have already initialized Yarbo using the Yarbo App.



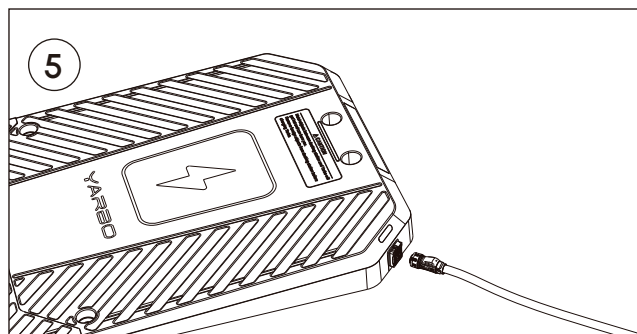
**Drive** Yarbo to the desired location for the Docking Station to test if there is strong GPS signal. Once Yarbo reaches a position with a strong GPS and network connection, the app will notify you.



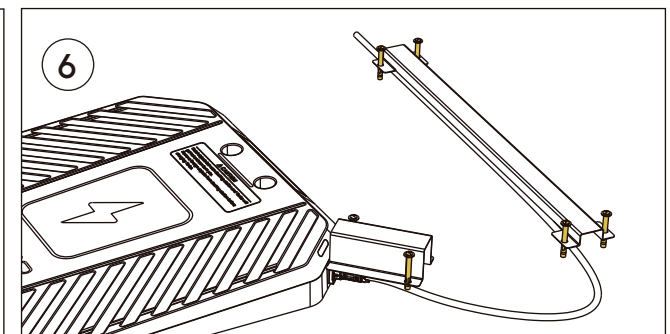
**Place** the Docking Station on the desired location. Secure the Docking Station by suitable methods. For soil/grass surface, use grass pegs. For concrete/brick surfaces, use expansion bolts. Grass pegs and expansion bolts are provided in the package.



**Press** the snap and **remove** the cover.



**Connect** the Power Cable to the port in the docking station.



**Place** the Short Cable Ramp near the port and place the Long Cable Ramp on the Power Cable. Secure the Cable Ramp by suitable methods.

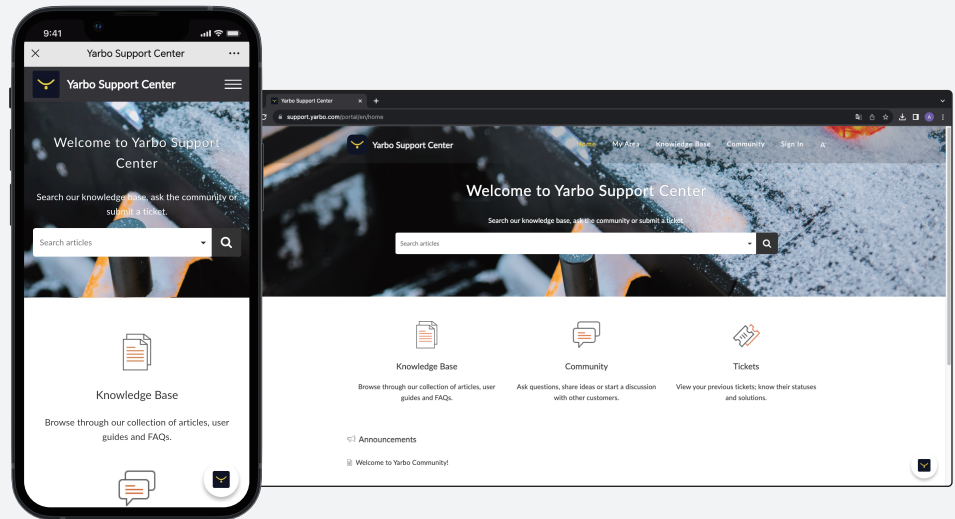
### Support Center



Yarbo Video Tutorials



Visit the Yarbo Support Center for FAQ articles, the latest user manual, community interaction, and to create and monitor service tickets.



# YARBO INC.

[www.yarbo.com](http://www.yarbo.com)



Refer to Friends  
& Get Rewards



Share Your  
Yarbo Journey



Join Yarbo  
Exclusive Community

☎ +1 (888)550-6809

✉ [support@yarbo.com](mailto:support@yarbo.com)

📍 1951 Ocean Avenue, Unit 3, Ronkonkoma, NY 11779 United States

V 1.4