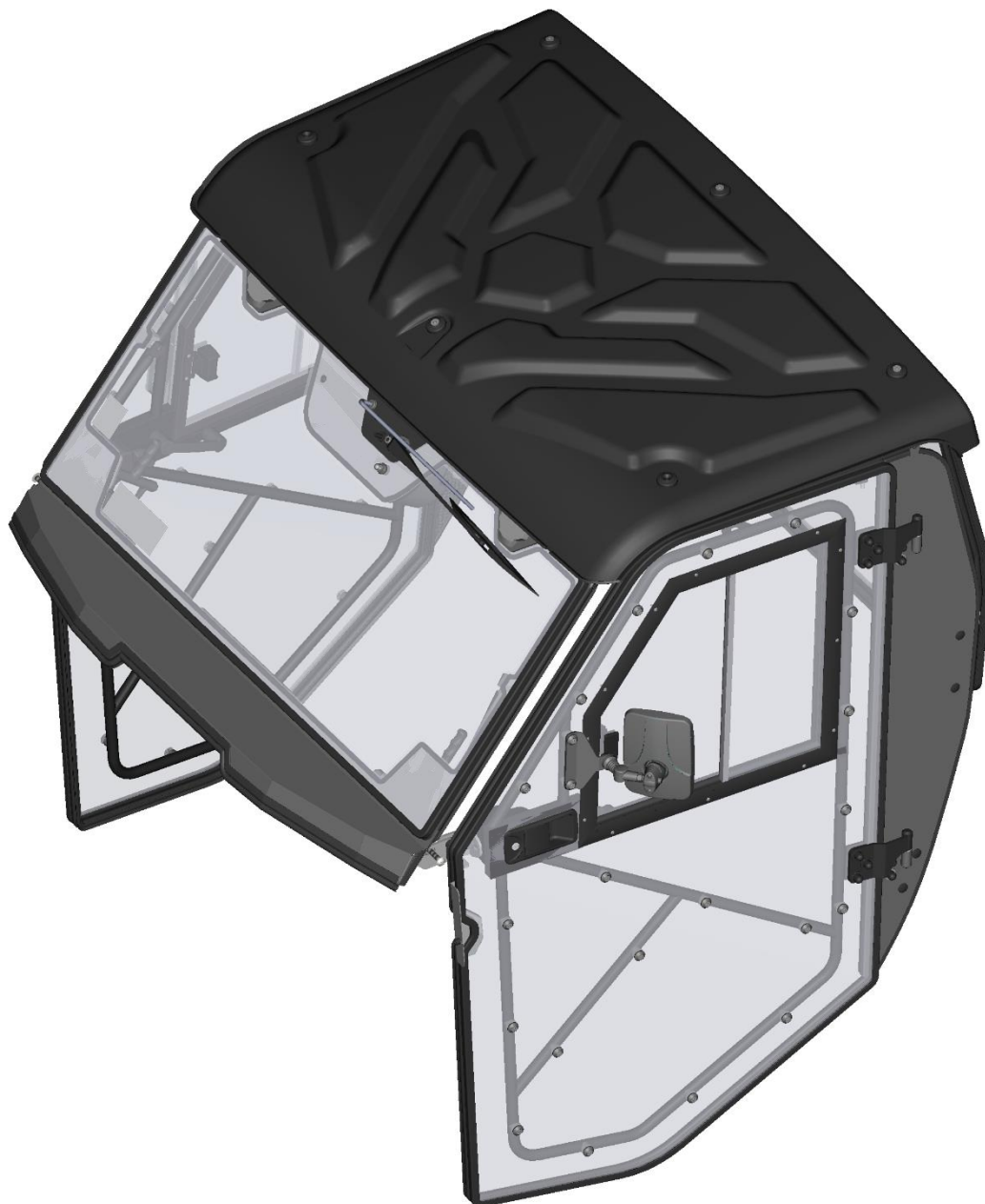




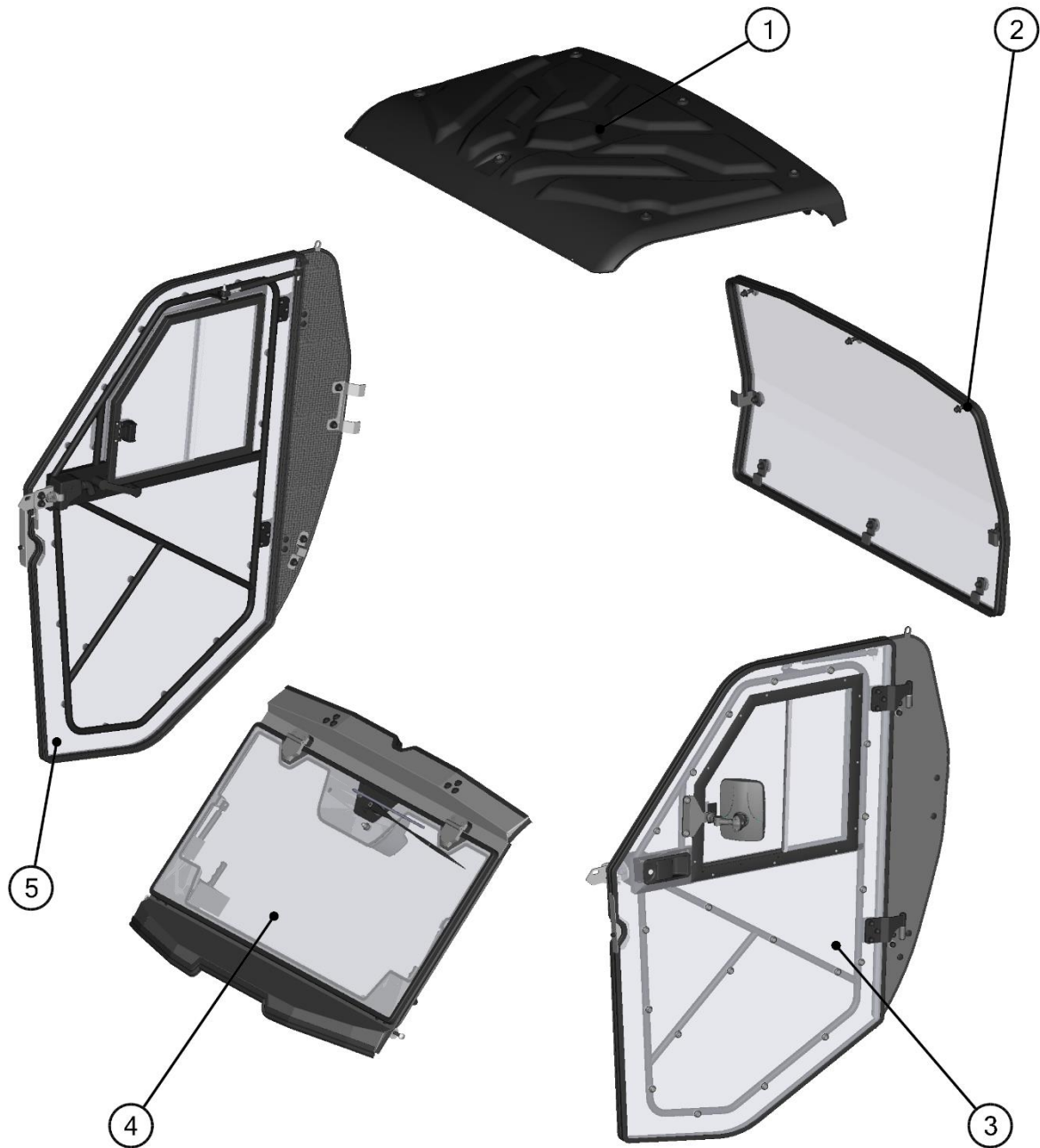
SPARE - PARTS CATALOG

SEGWAY
FUGLEMAN

CAB PREVIEW

2

ALL PANELS



3

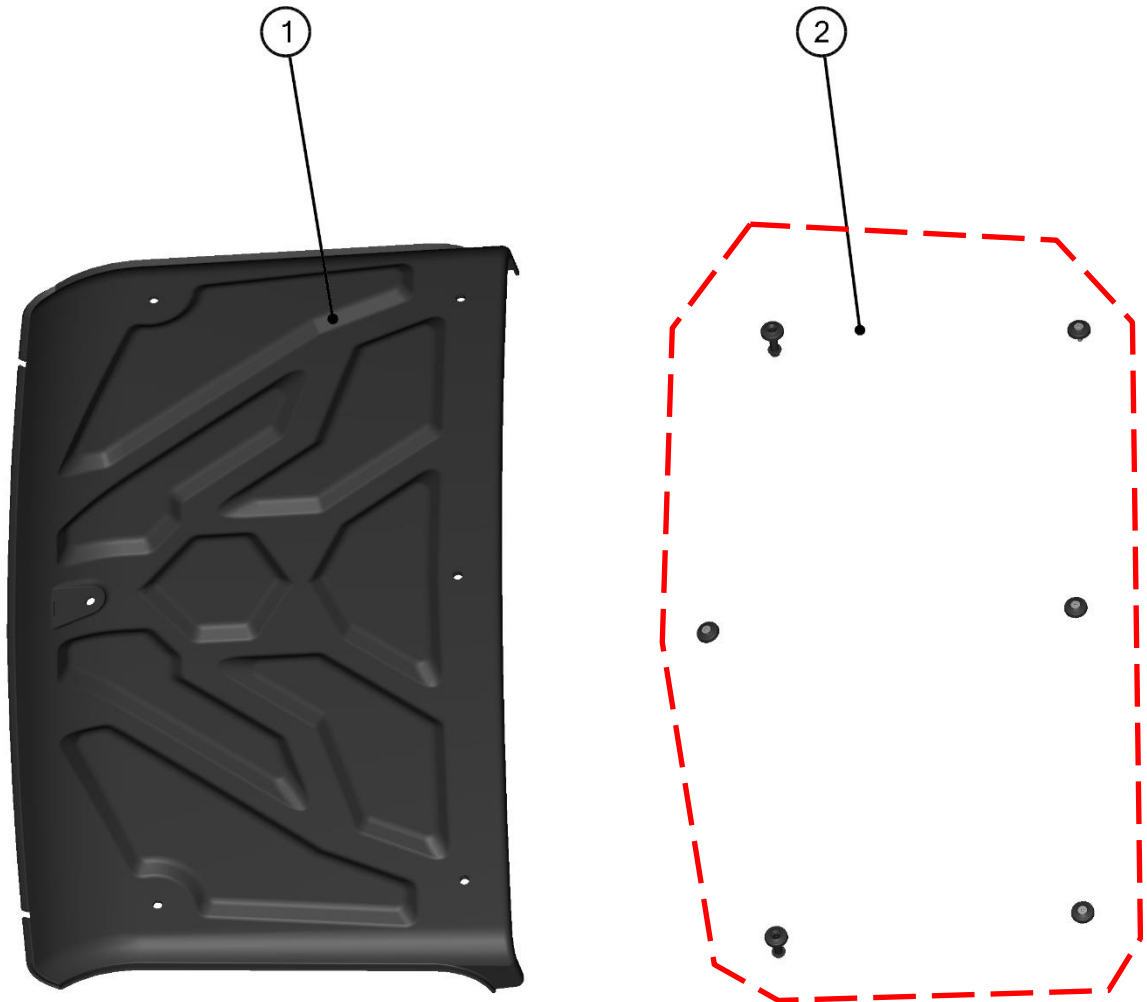
ID	Catalog no.	Description	Qty
1	74S02U01S30	ROOF	1
2	74S02U02S20	REAR PANEL	1
3	74S02U01S40	LEFT DOOR	1
4	74S02U01S10	FRONT PANEL	1
5	74S02U01S50	RIGHT DOOR	1
-	-----	ELECTROINSTALLATION	1

Page	Price
5	
7	
15	
9	
20	
24	

ROOF PANEL

4

ROOF PANEL ASSEMBLIES



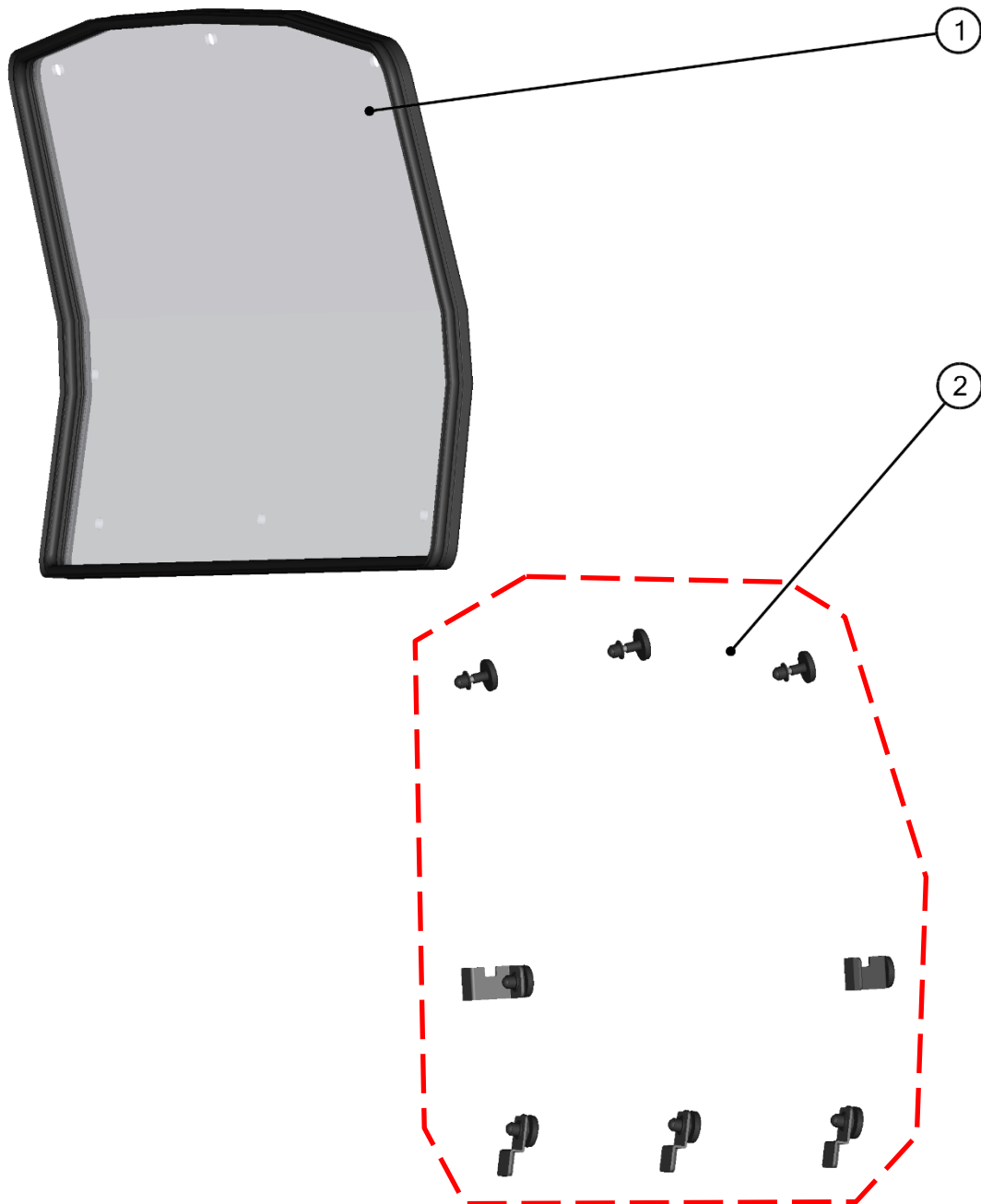
ID	Catalog no.	Description	Qty
1	74S02U01-30M002	ROOF ASSEMBLY	1
2	74S02U01-30PKM001	ROOF HARDWARE KIT	1

Price

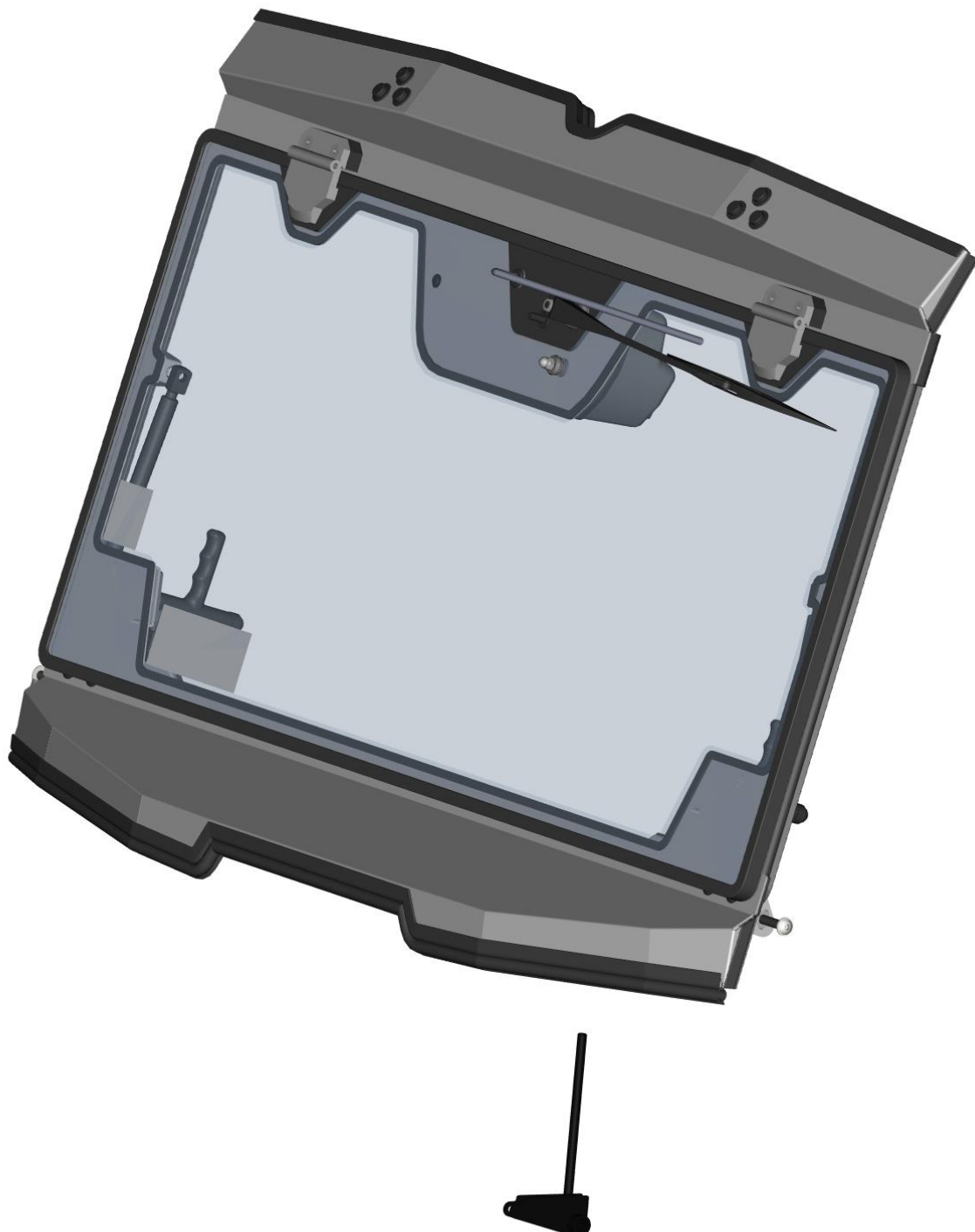
REAR PANEL

6

REAR PANEL ASSEMBLIES

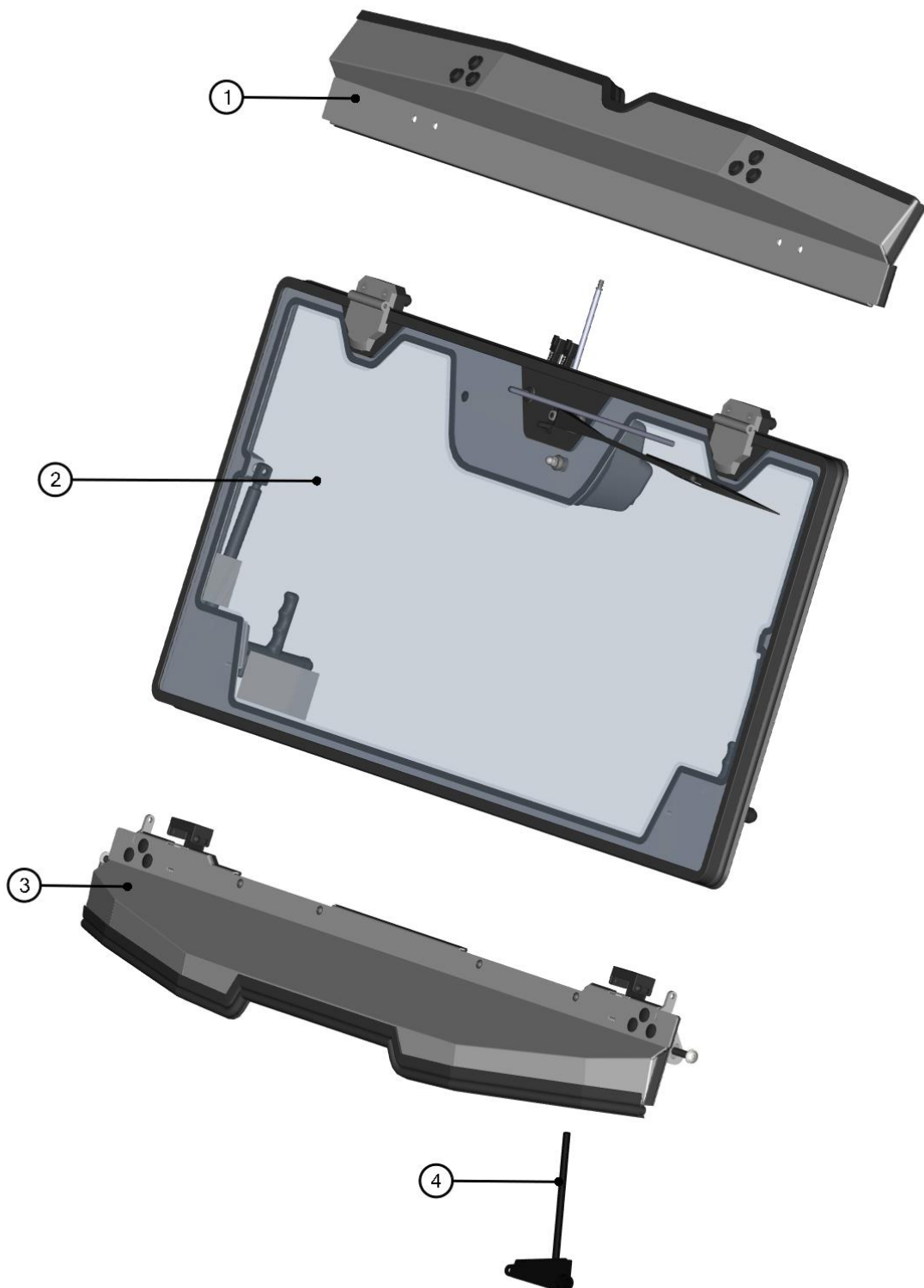


ID	Catalog no.	Description	Qty	Price
1	74S02U02-20M001	REAR POLY WITH SEALING	1	
2	74S02U02-20PKM001	REAR HARDWARE KIT	1	

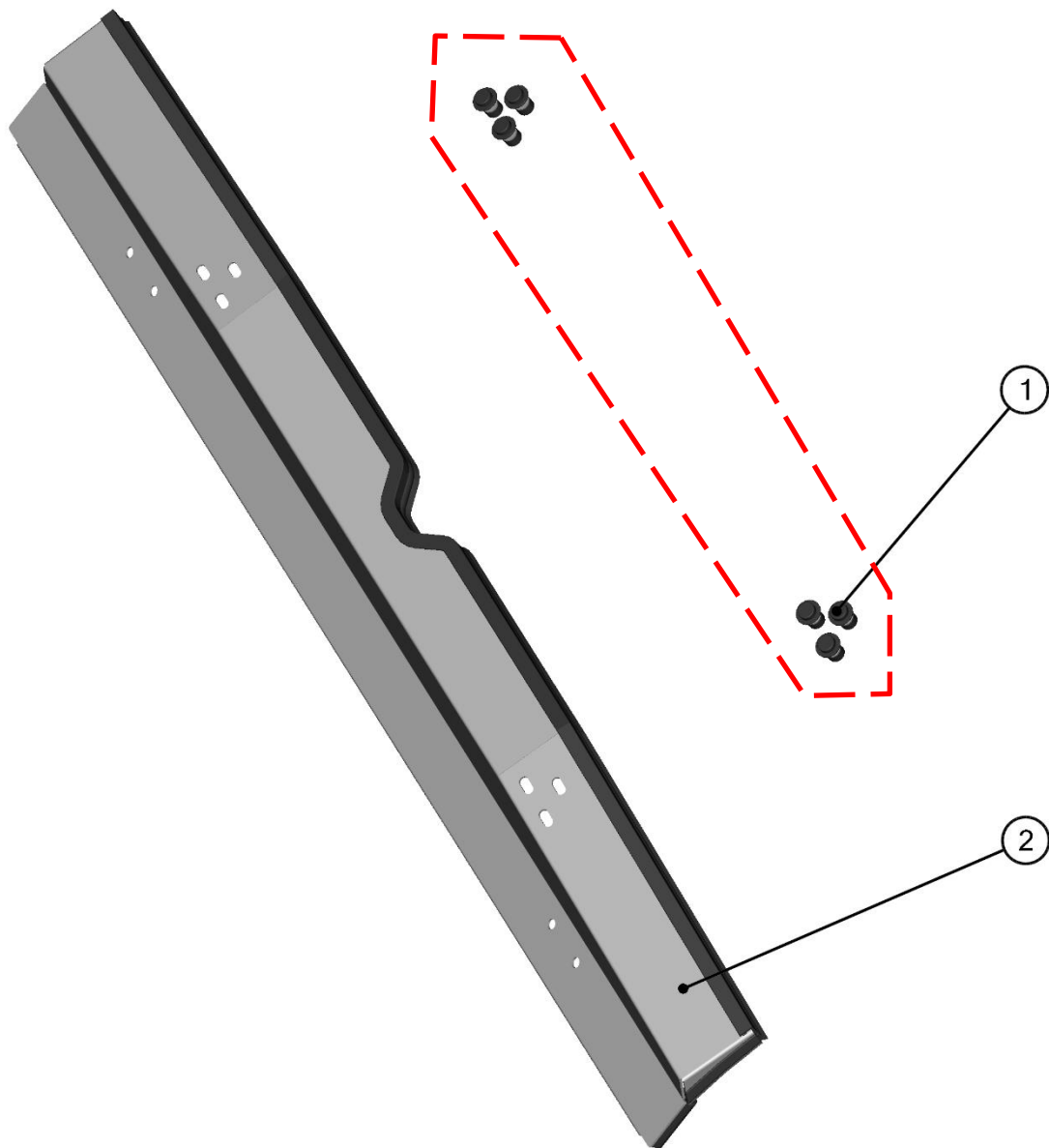
FRONT PANEL

8

FRONT PANEL ASSEMBLIES



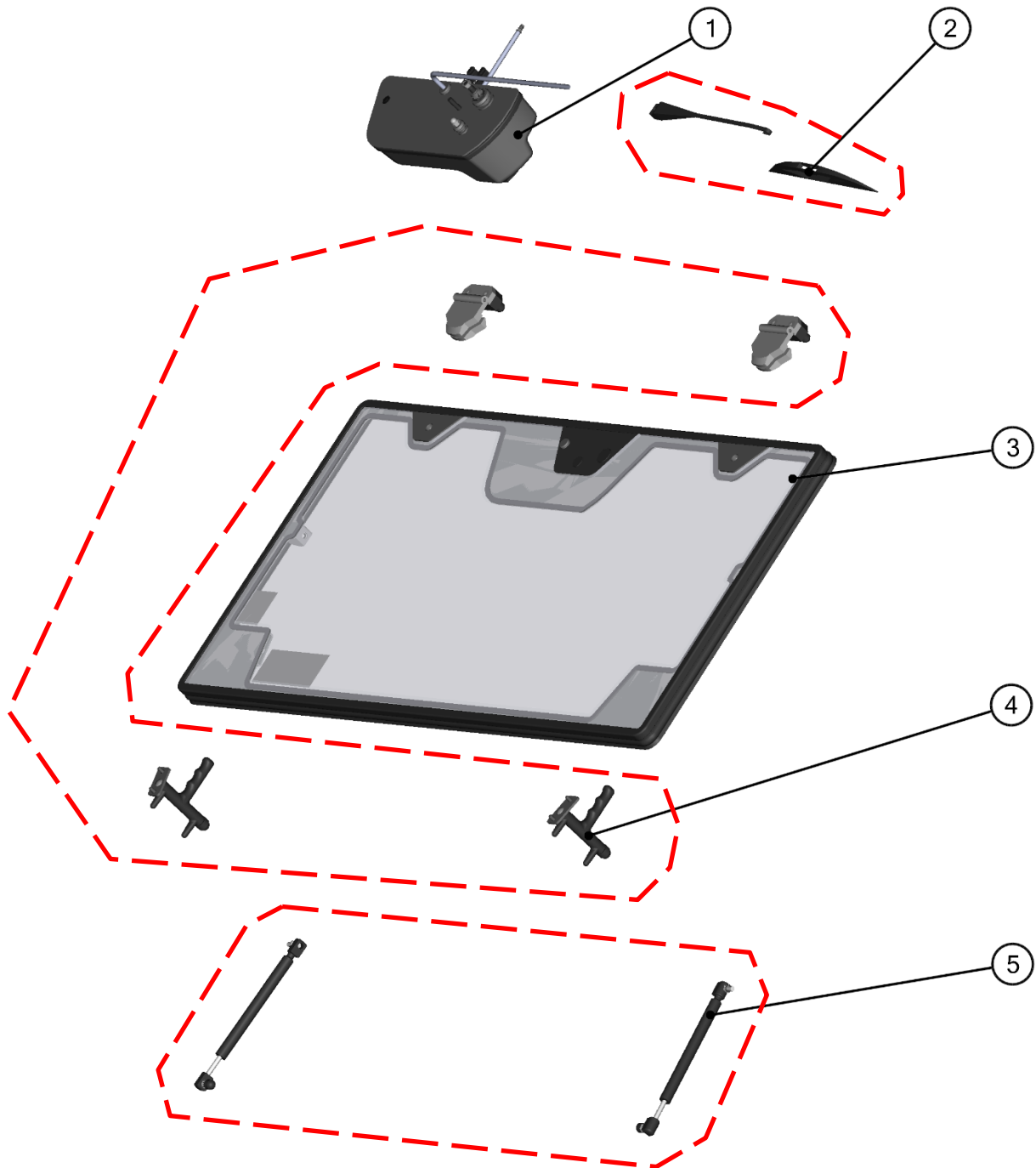
FRONT UPPER LEDGE



10

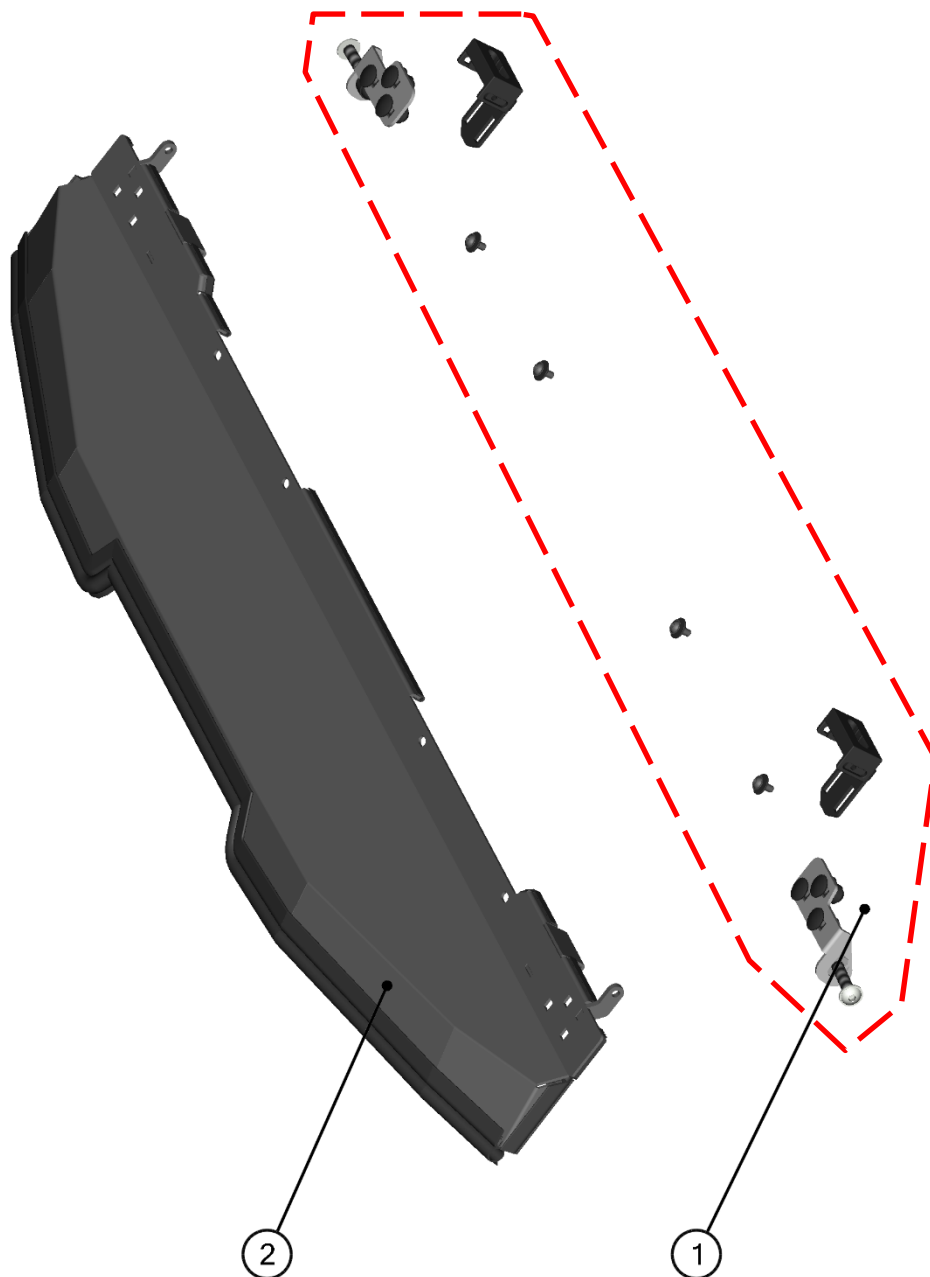
ID	Catalog no.	Description	Qty	Price
1	74S02U01-10PKM001	FRONT UPPER FIXING KIT	1	
2	74S02U01-10M009	FRONT UPPER LEDGE	1	

FRONT WINDOW ASSEMBLIES



ID	Catalog no.	Description	Qty	Price
1	74S02U01-01M002	FRONT WIPER MOTOR KIT	1	
2	74S02U01-01PKM001	FRONT WIPER ARM WITH BLADE	1	
3	74S02U01-10M001	FRONT GLASS WITH REINFORCEMENT AND SEALING	1	
4	74S02U01-10PKM002	FRONT HARDWARE KIT	1	
5	74S02U01-10PKM003	FRONT GAS SPRING KIT	1	

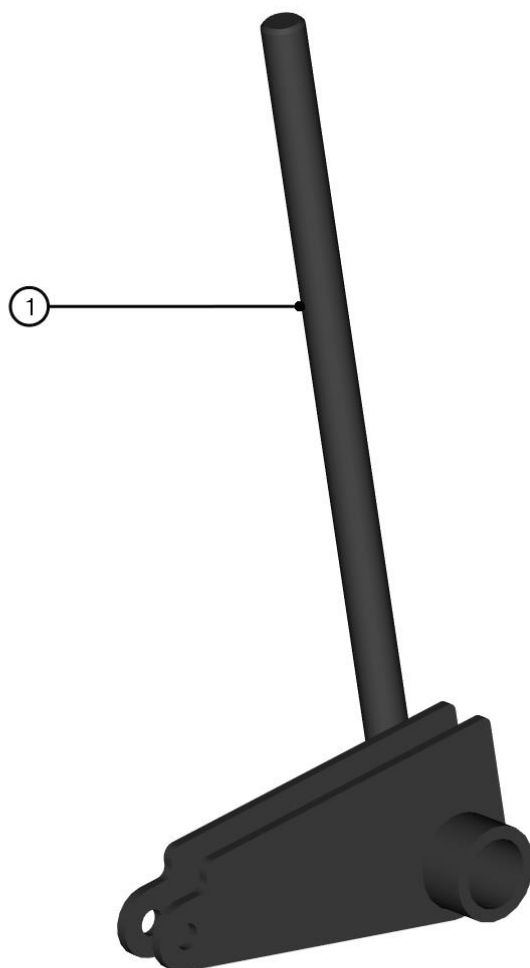
FRONT BOTTOM LEDGE



12

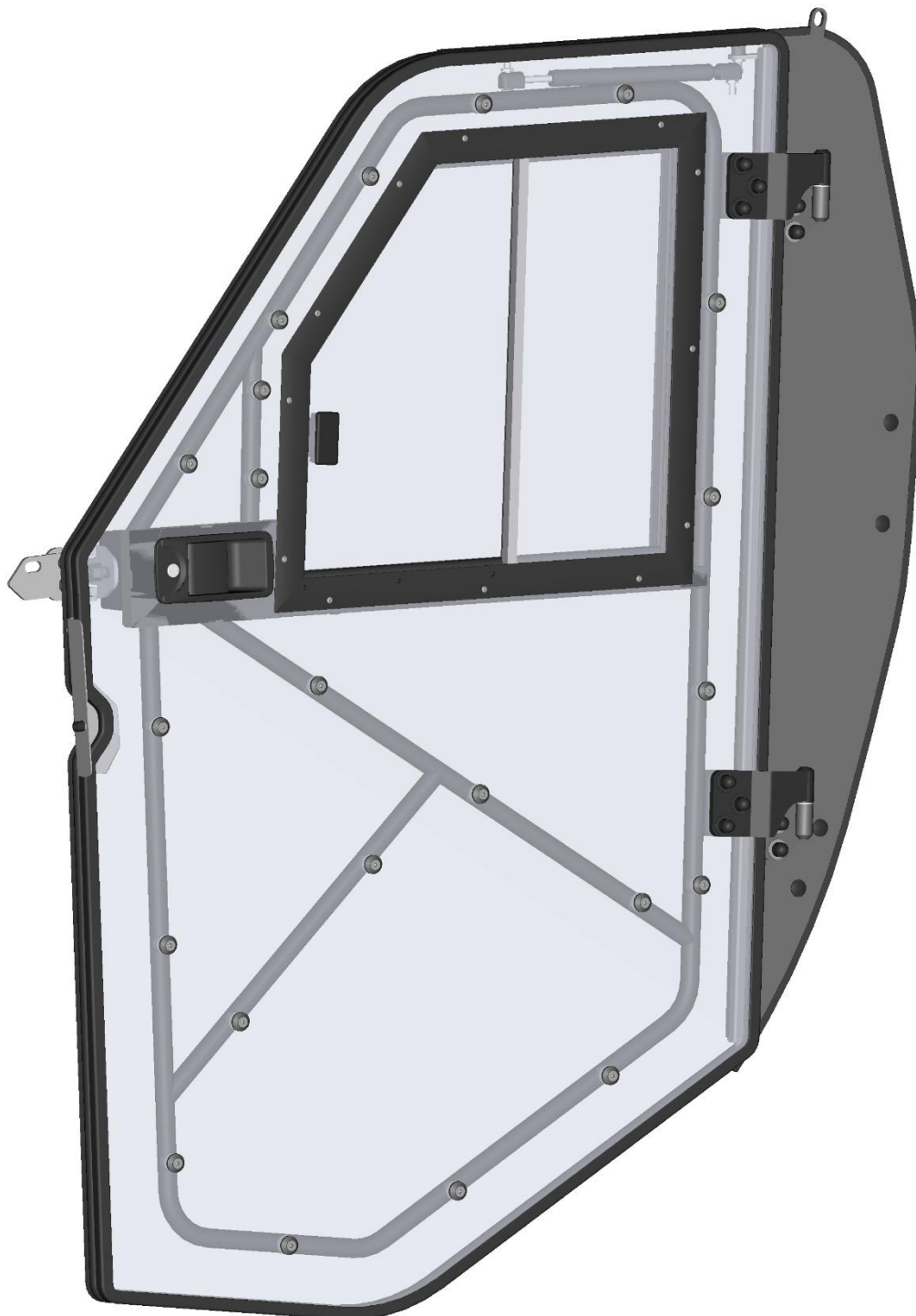
ID	Catalog no.	Description	Qty	Price
1	74S02U01-10PKM004	FRONT BOTTOM HARDWARE KIT	1	
2	74S02U01-10M008	FRONT BOTTOM LEDGE	1	

GEAR SHIFT LEVER WELDED

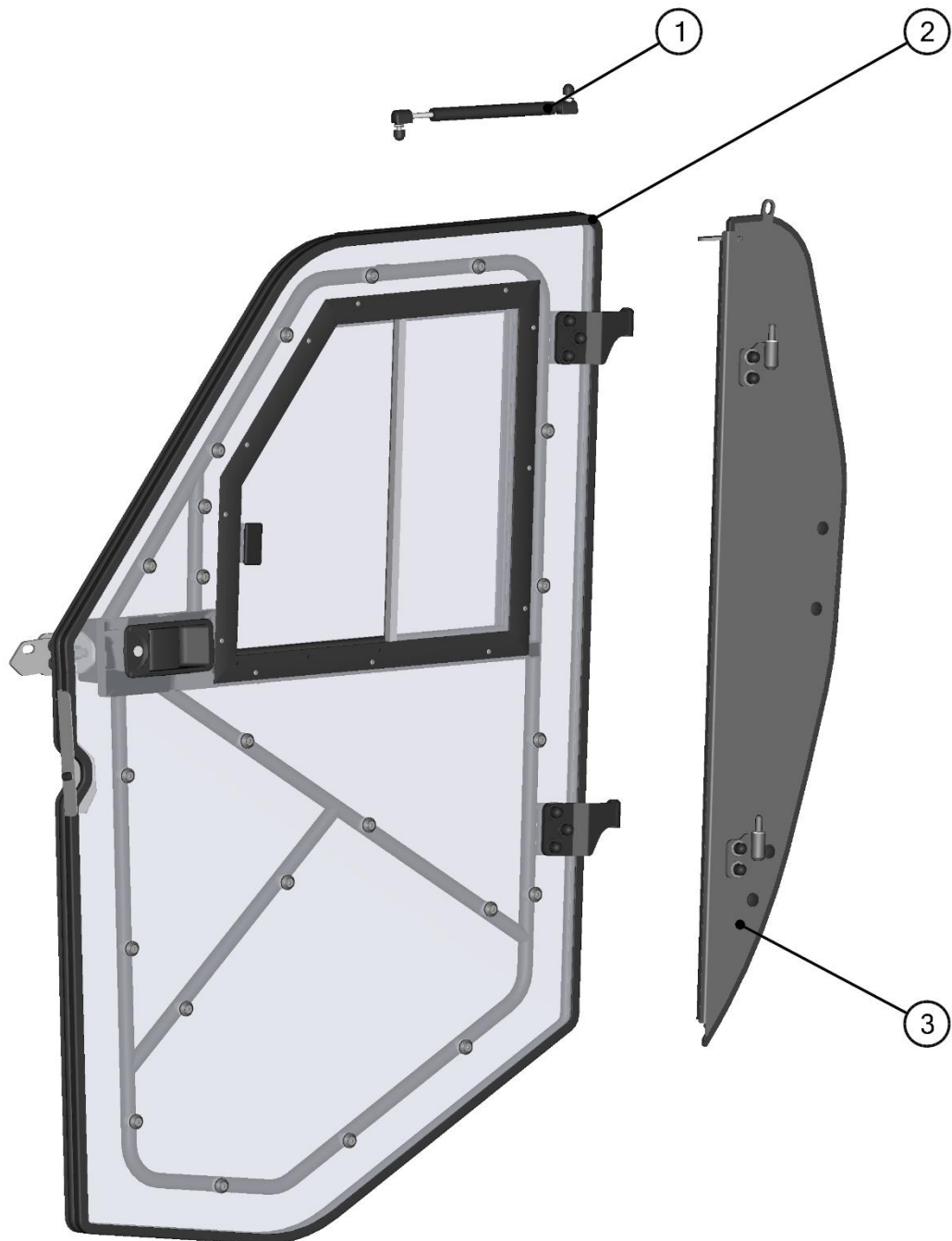


13

ID	Catalog no.	Description	Qty	Price
1	74S02U01-10W004	GEAR SHIFT LEVER WELDED	1	

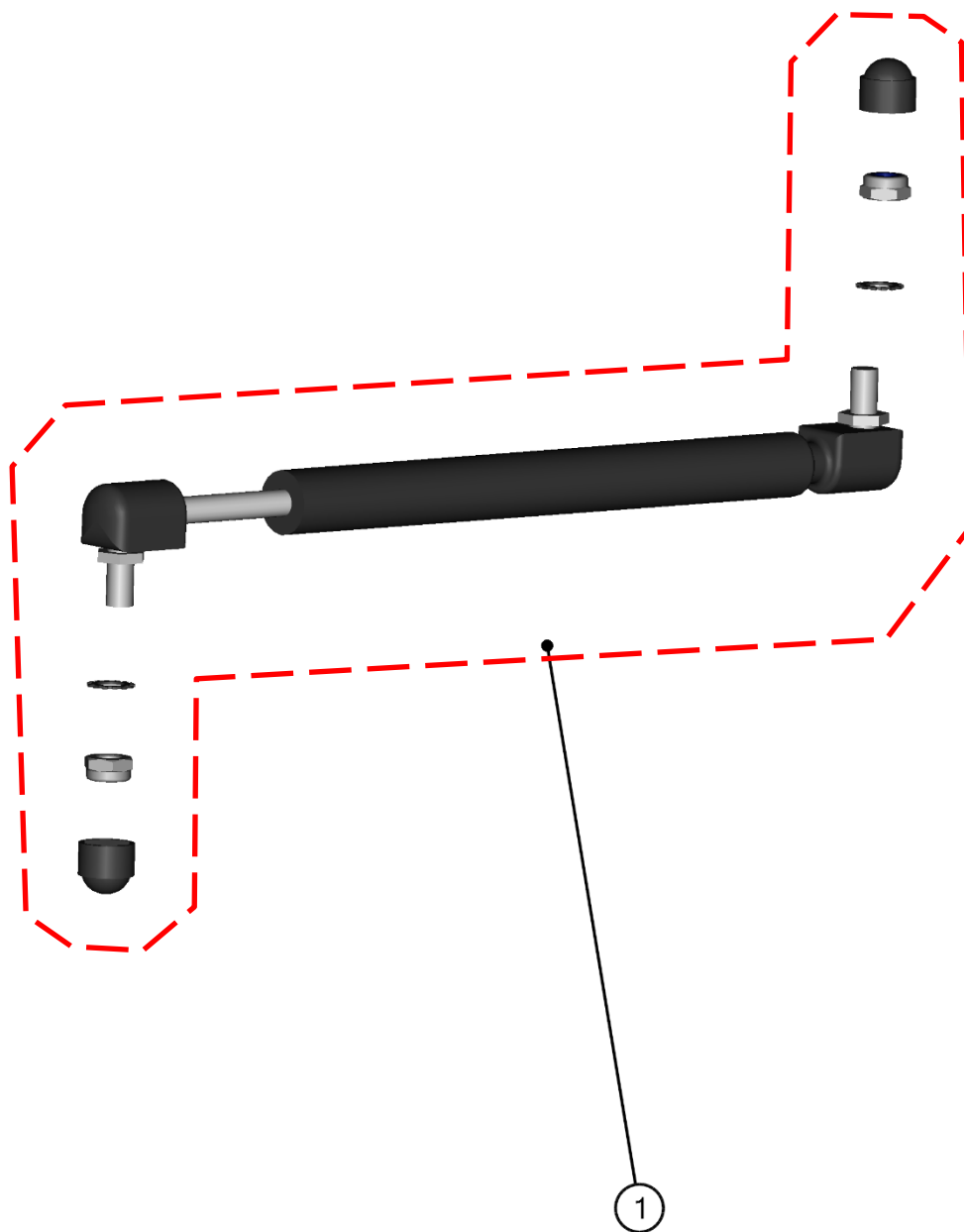
LEFT DOOR

14

LEFT DOOR ASSEMBLIES

15

GAS SPRING ASSEMBLY

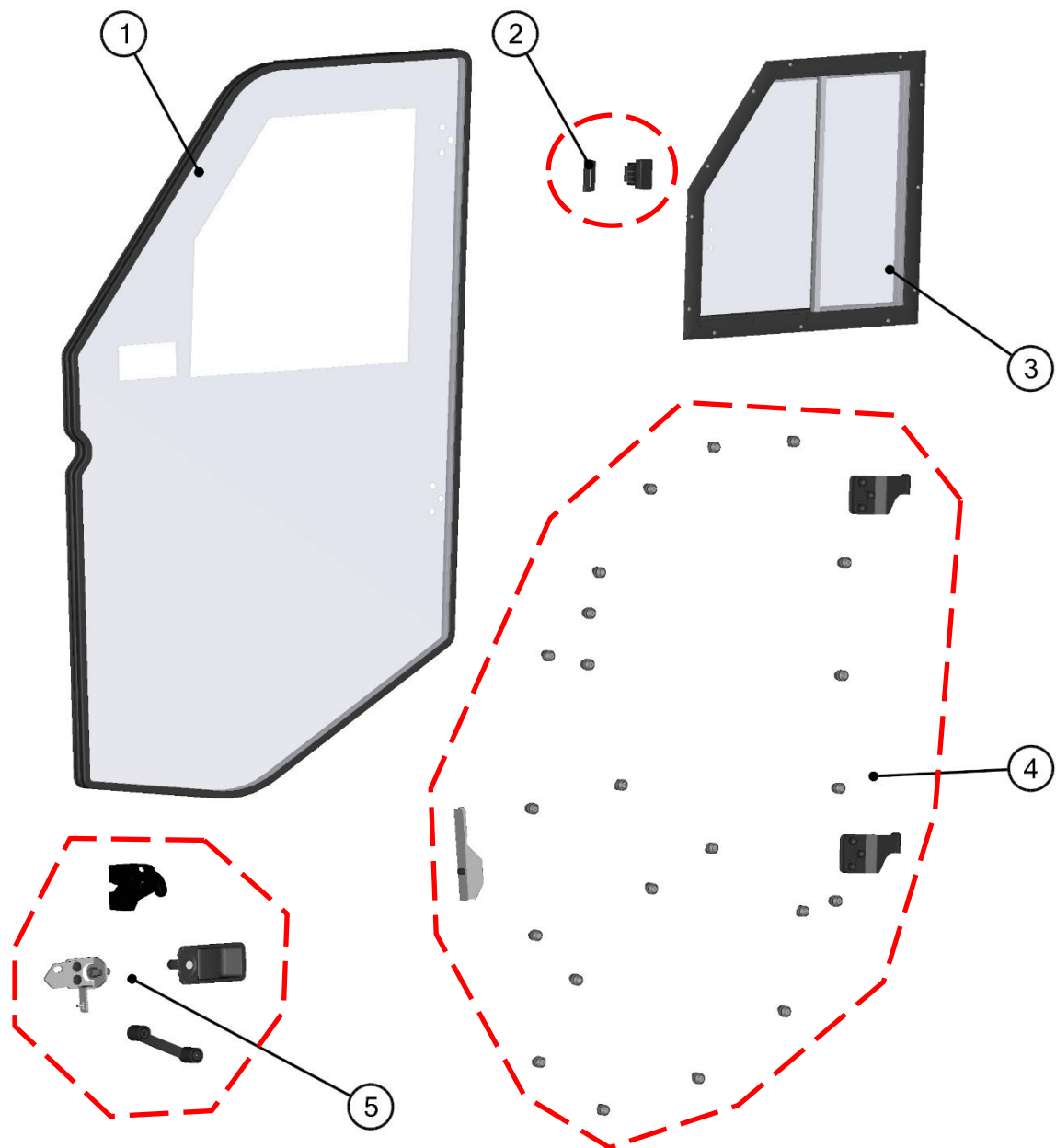


16

ID	Catalog no.	Description	Qty
1	74S02U01-50M011	GAS SPRING ASSEMBLY	1

Price

LEFT DOOR ASSEMBLY



17

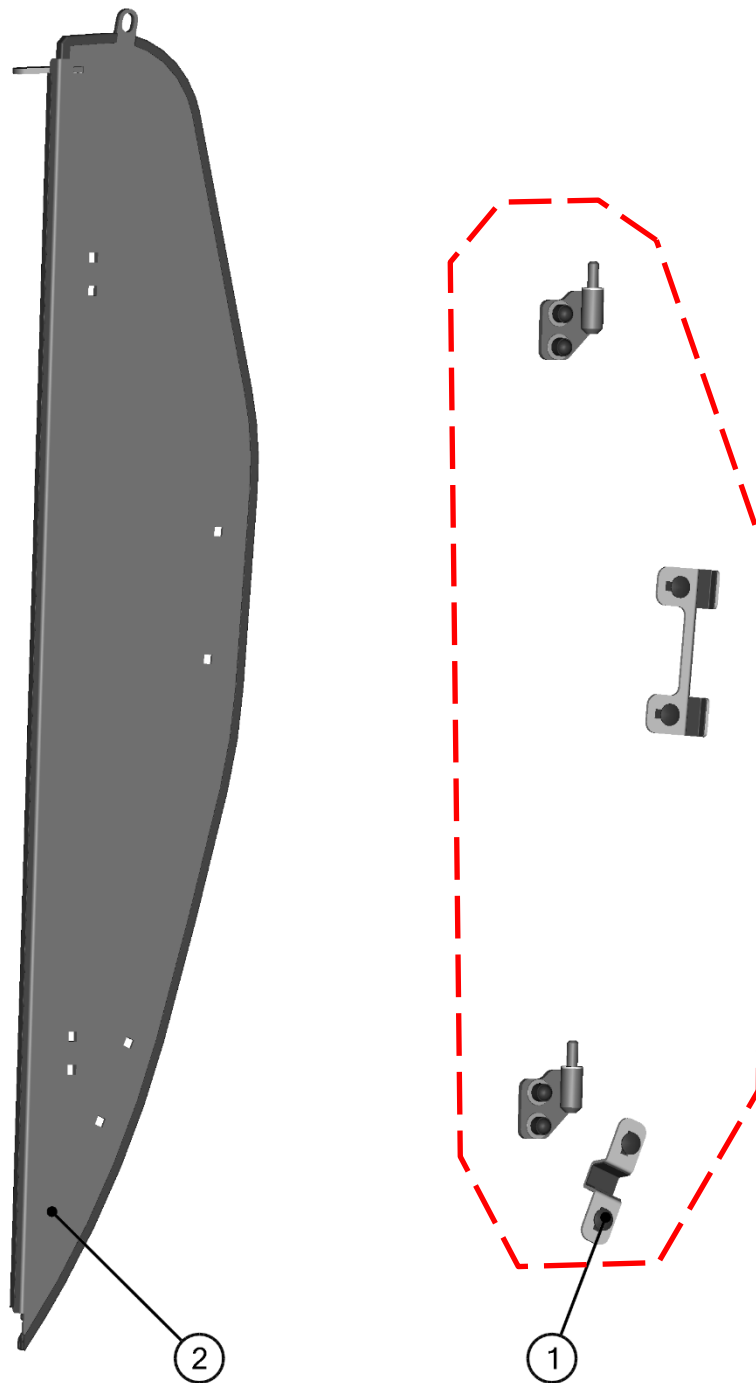
ID	Catalog no.	Description	Qty	Price
1	74S02U01-40M001	LEFT POLY WITH SEALING	1	
2	74S02U01-40PKM001	GLASS LOCK WITH STOP KIT	1	
3	74S02U01-40M003	LEFT DOOR WINDOW ASSEMBLY	1	
4	74S02U01-40PKM002	LEFT DOOR HINGES WITH FIXING KIT	1	
5	74S02U01-40PKM003	LEFT DOOR LOCK WITH STOP KIT	1	

DFK Cab, s.r.o.
 Za Olšávkou 391
 Uherské Hradiště 686 01
 Czech Republic

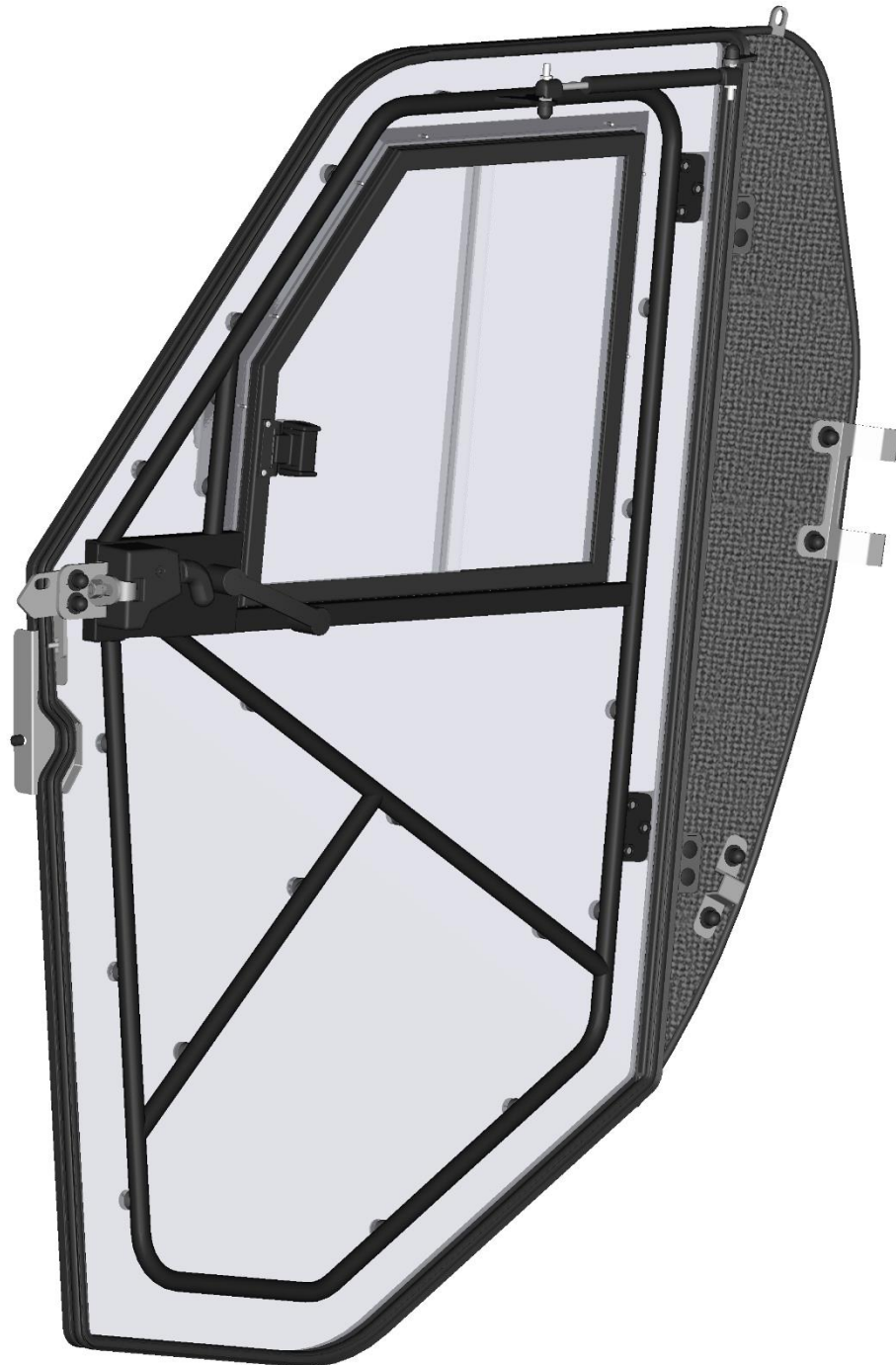
Tel: +420 572 520 061,3
 Fax: +420 572 520 071
 E-mail: dfk@dfk.cz

www.dfk.cz
<http://www.dfk.cz/podpora-utv>
 password: 78a6xu6mj8G

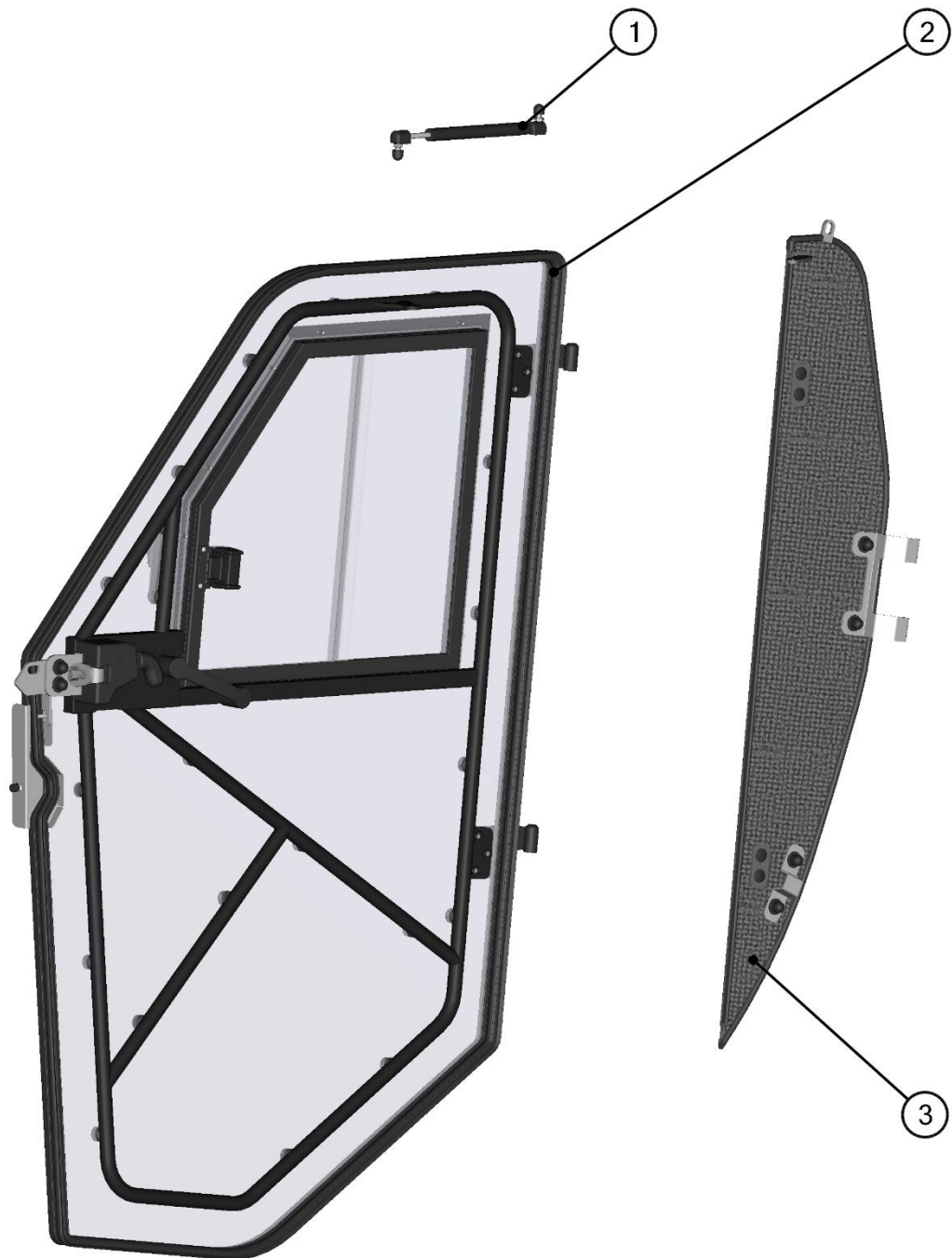
LEFT DOOR BASE



ID	Catalog no.	Description	Qty	Price
1	74S02U01-40PKM004	LEFT DOOR BASE HARDWARE KIT	1	
2	74S02U01-40M010	LEFT DOOR BASE ASSEMBLY	1	

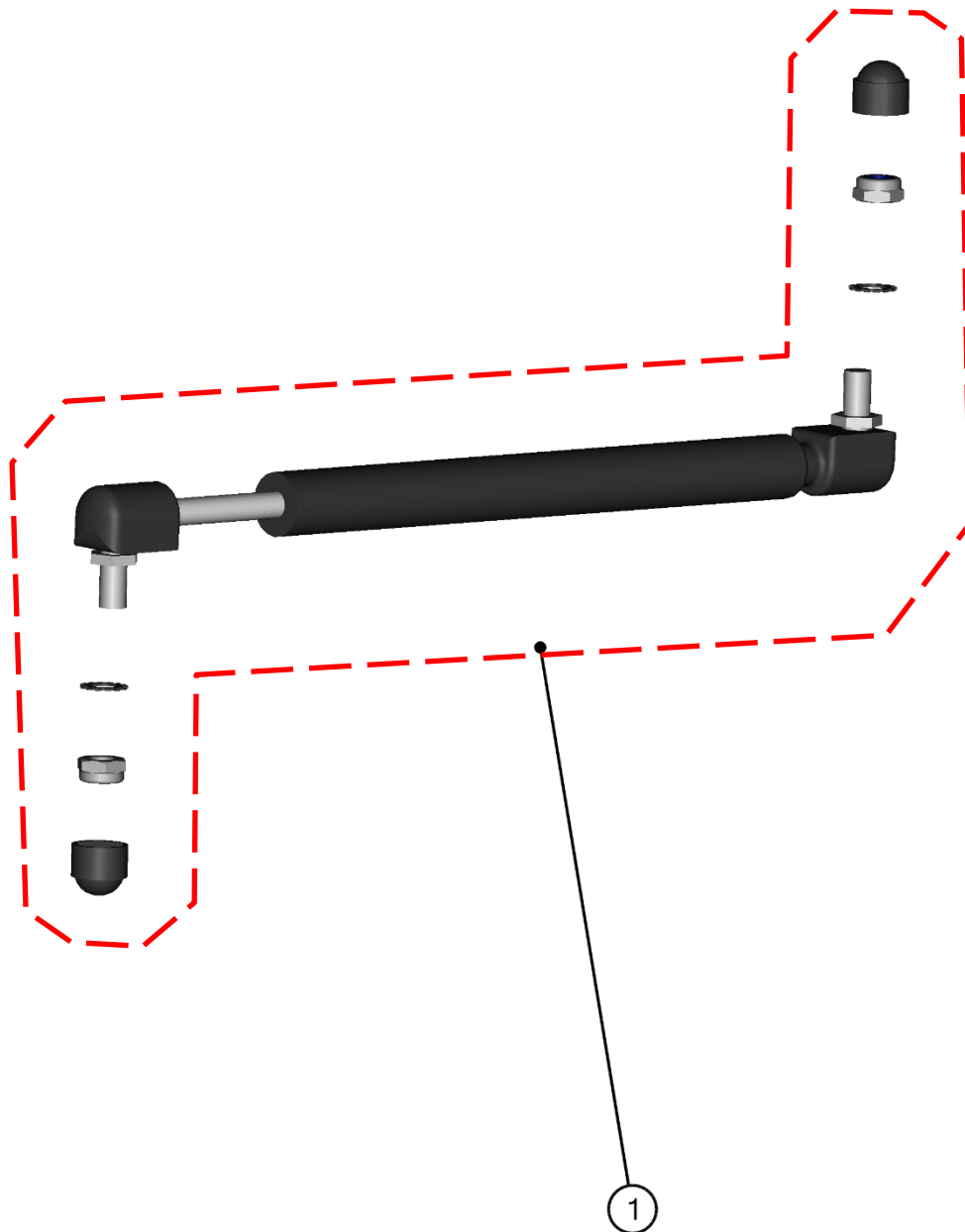
RIGHT DOOR

19

RIGHT DOOR ASSEMBLIES

20

GAS SPRING ASSEMBLY

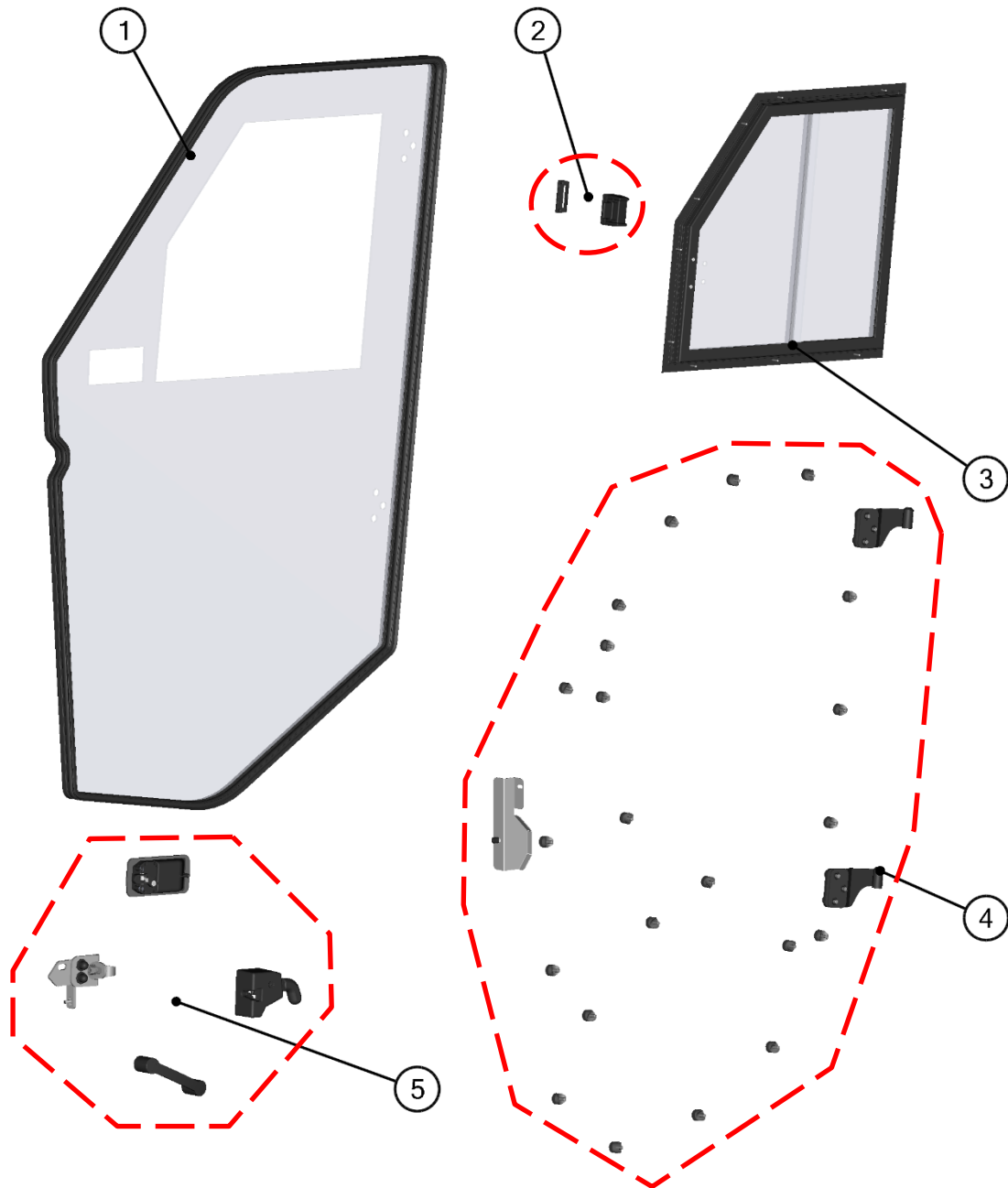


21

ID	Catalog no.	Description	Qty
1	74S02U01-50M011	GAS SPRING ASSEMBLY	1

Price

RIGHT DOOR ASSEMBLIES

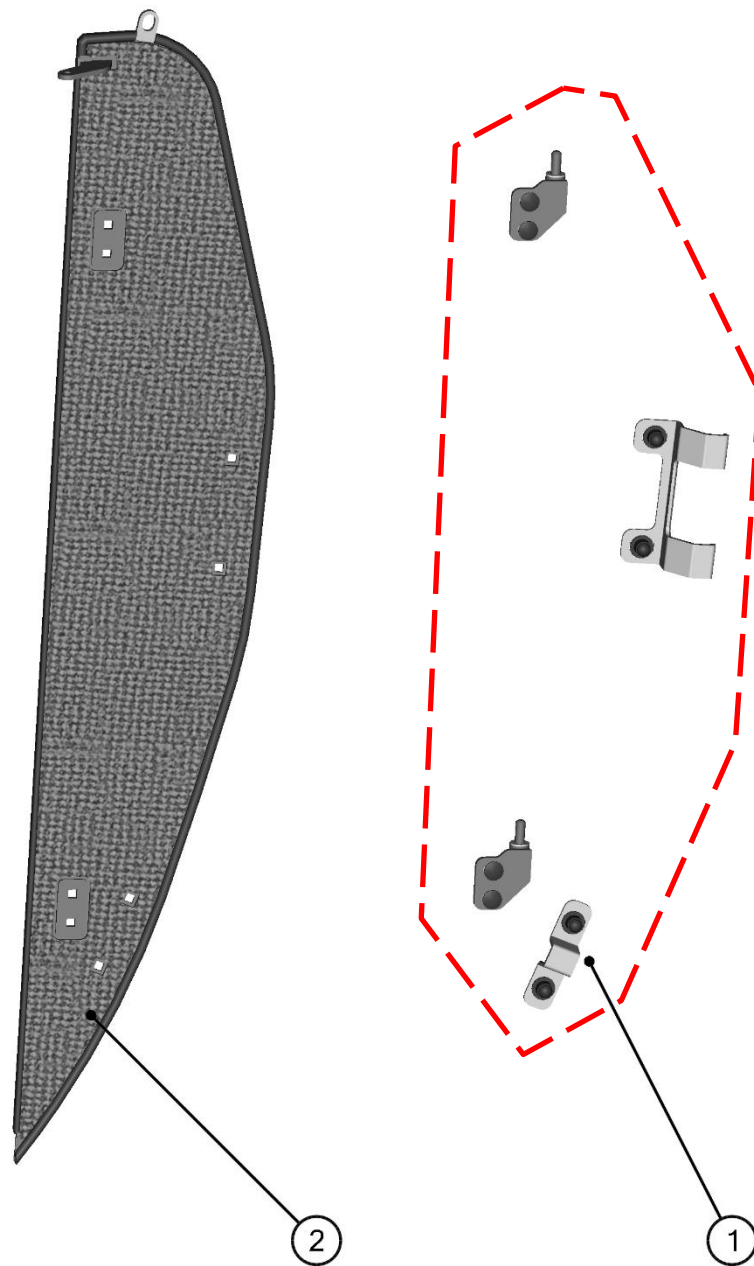


22

ID	Catalog no.	Description	Qty
1	74S02U01-50M001	RIGHT POLY WITH SEALING	1
2	74S02U01-40PKM001	GLASS LOCK WITH STOP KIT	1
3	74S02U01-50M003	RIGHT DOOR WINDOW ASSEMBLY	1
4	74S02U01-50PKM002	RIGHT DOOR HINGES WITH FIXING KIT	1
5	74S02U01-50PKM003	RIGHT DOOR LOCK WITH STOP KIT	1

Price

RIGHT DOOR BASE



ID	Catalog no.	Description	Qty	Price
1	74S02U01-50PKM004	RIGHT DOOR BASE HARDWARE KIT	1	
2	74S02U01-50M010	RIGHT DOOR BASE ASSEMBLY	1	

ELECTROINSTALLATION

Position	Catalog no.	Description	Qty	Price
1	004322	WIPER/WASHER SWITCH	1	
2	005486	LIGHT SWITCH	1	
3	000885	WASHER TANK	1	
4	009210	WIPER + WASHER HARNESS	1	
5	009209	SUPPLY HARNESS	1	
6	009211	HEATER HARNESS	1	
7	004307	HEATER BODY	1	
8	002471	WATER PUMP	1	
9	002386	EL. VALVE	1	
10	002702	VENT SWITCH	1	
11	002391	EL. VALVE SWITCH	1	
12	002739	DIFUZOR	1	
13	002848	DIFUZOR	1	
14	00-109U-M006	SIDE MIRRORS KIT	1	
15	003903	"Y" COUPLING 35-18-35	1	
16	002502	"Y" COUPLING 25-16-25	1	


Position: 1
Catalog no.:
004322

Position: 2
Catalog no.:
005486

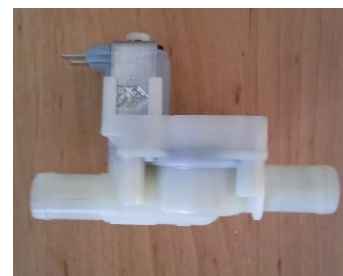
Position: 3
Catalog no.:
000885

Position: 4
Catalog no.:
009210

Position: 5
Catalog no.:
009209

Position: 6
Catalog no.:
009211

Position: 7
Catalog no.:
004307

Position: 8
Catalog no.:
002471

Position: 9
Catalog no.:
002386

		
<p>Position: 10</p>	<p>Position: 11</p>	<p>Position: 12</p>
<p>Catalog no.: 002702</p>	<p>Catalog no.: 002391</p>	<p>Catalog no.: 002739</p>
		
<p>Position: 13</p>	<p>Position: 14</p>	<p>Position: 15</p>
<p>Catalog no.: 002848</p>	<p>Catalog no.: 00-109U-M006</p>	<p>Catalog no.: 003903</p>
		
<p>Position: 16</p>		
<p>Catalog no.: 002502</p>		